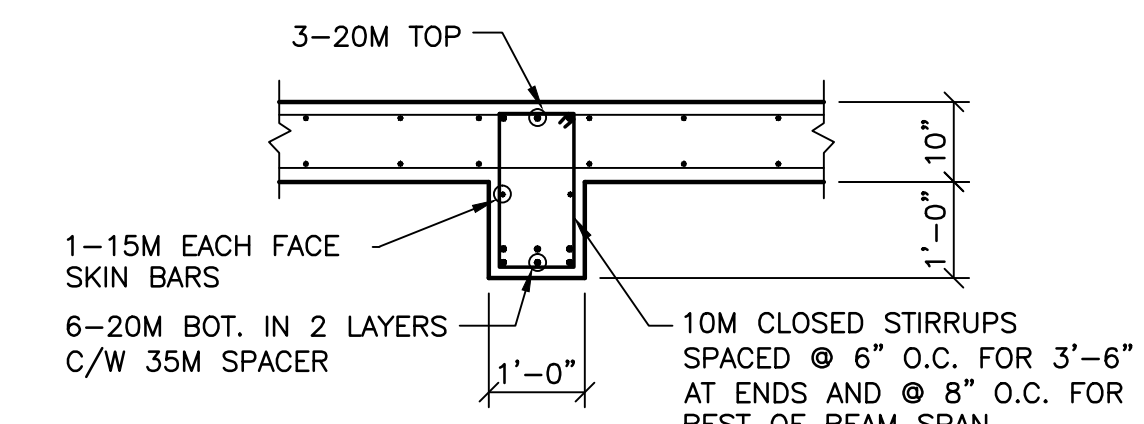
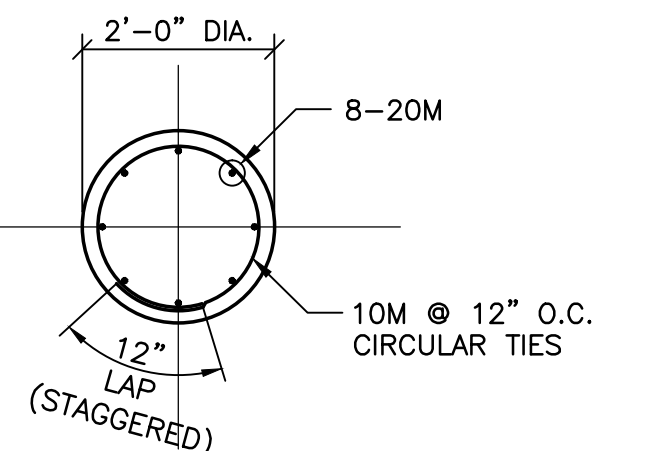
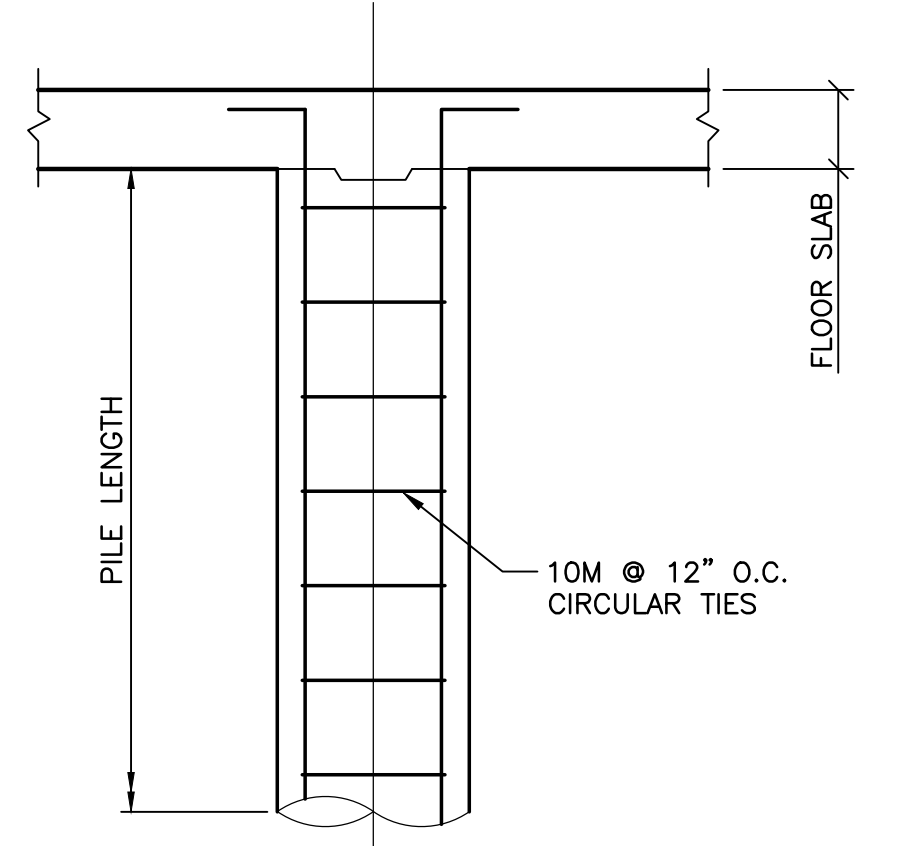


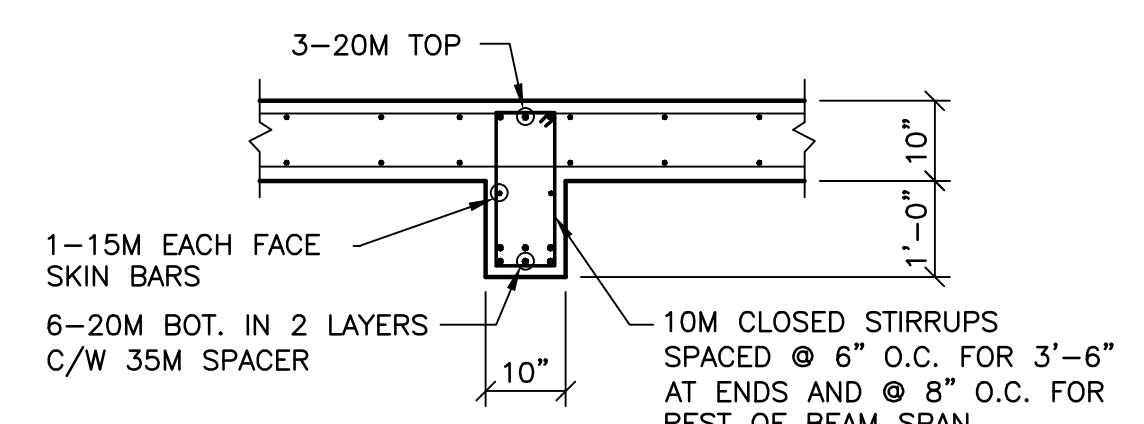
MAIN FLOOR SLAB REINFORCING
3/8" = 1'-0"



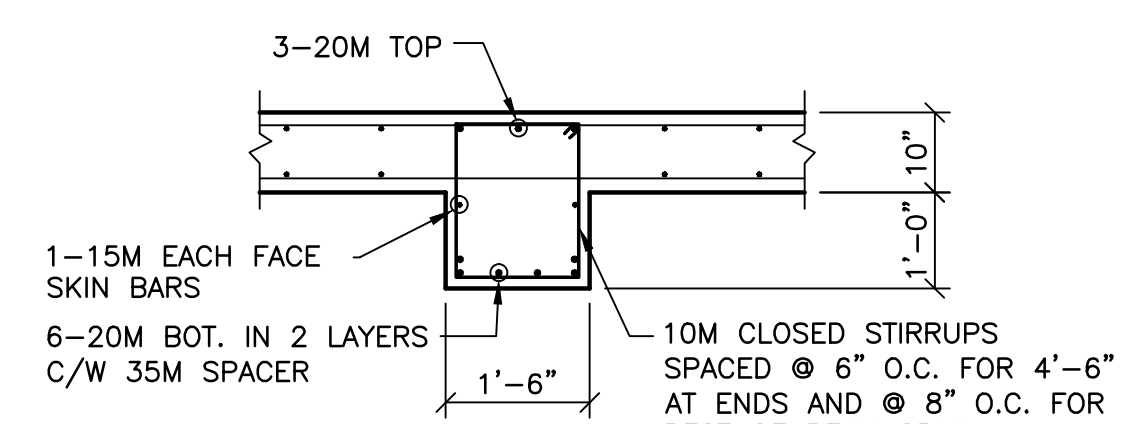
BEAM B-1 SECTION
1/2" = 1'-0"



PILE DETAIL
1/2" = 1'-0"

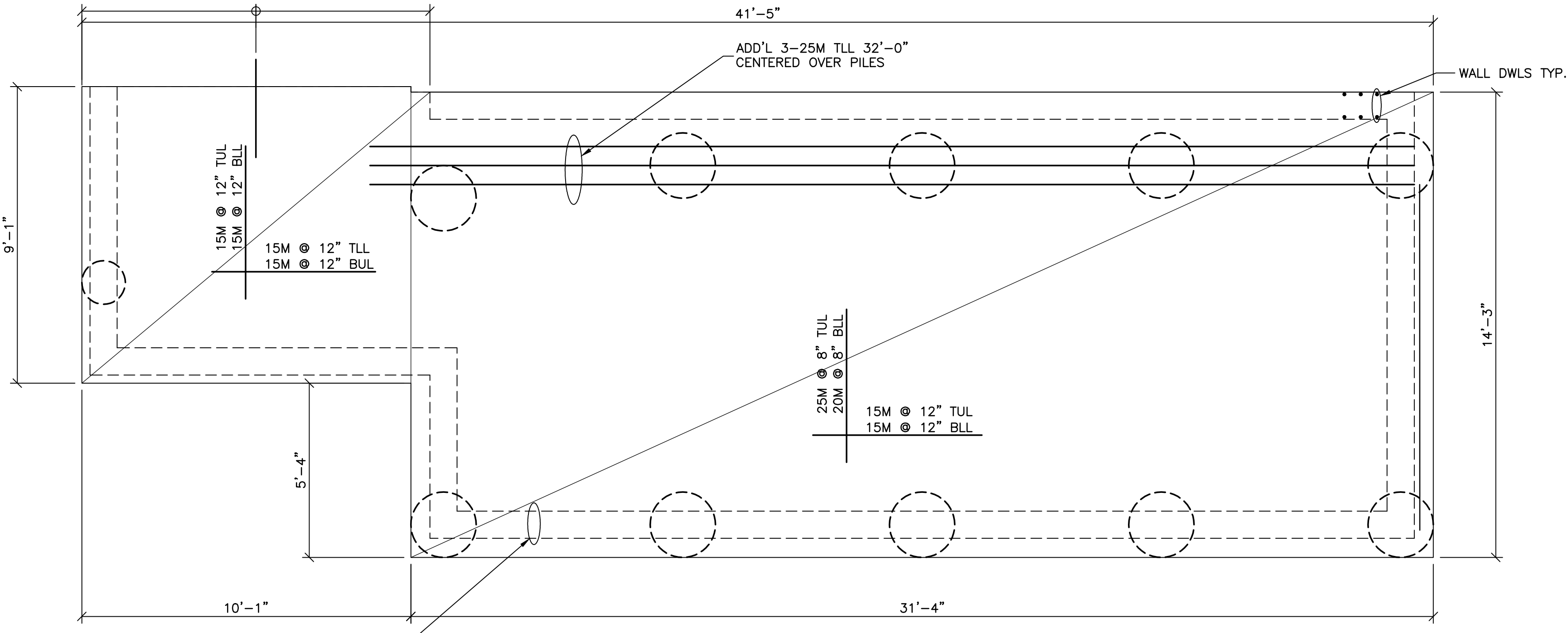


BEAM B-2 SECTION
1/2" = 1'-0"



BEAM B-3 SECTION
1/2" = 1'-0"

DRILL AND EPOXY GROUT DWLS INTO EXISTING CONCRETE WALL, 8" MIN. DWLS TO MATCH SLAB REINFORCEMENT.



CRAWL SPACE SLAB REINFORCING
3/8" = 1'-0"

WINNIPEG

Conditions of Use
Verify elevations and/or dimensions on drawing prior to use. Report any discrepancies to Dillon Consulting Limited.
Do not scale dimensions from drawing.
Do not modify drawing, re-use it, or use it for purposes other than those intended at the time of its preparation without prior written permission from Dillon Consulting Limited.



DESIGN	BWD	REVIEWED BY	RE
DRAWN	JZH	CHECKED BY	CGC
DATE	AUGUST 2013		
SCALE	AS NOTED		
ISSUED FOR	ISSUED FOR	DATE	DATE

PAN AM POOL ELECTRICAL UPGRADE		PROJECT NO.	137300
STRUCTURAL SECTIONS & DETAILS 2		SHEET NO.	S4