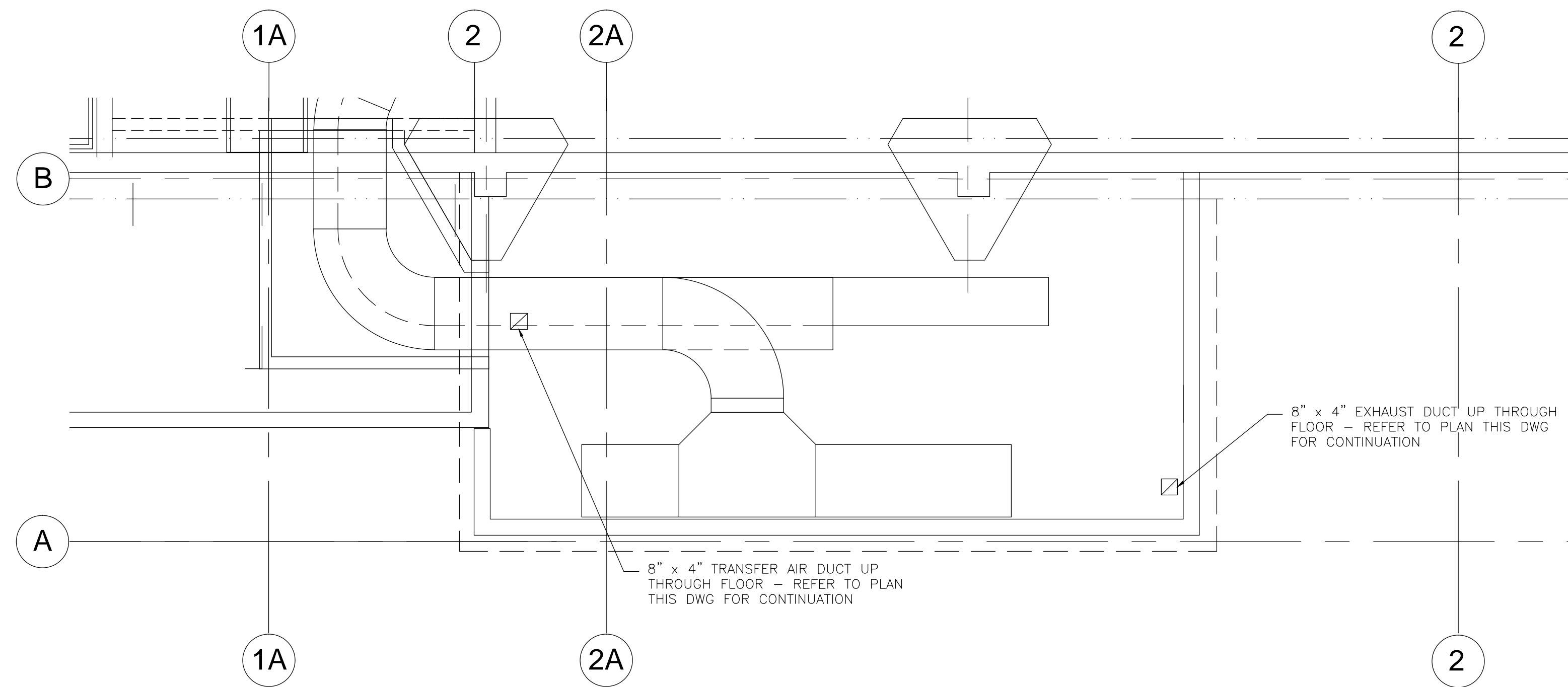


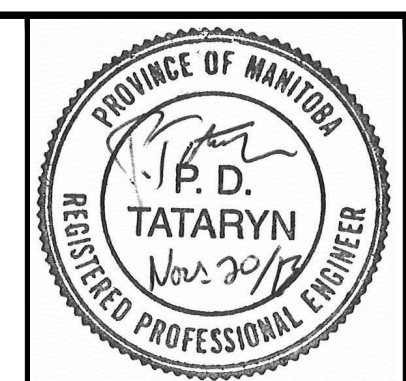
MAIN LEVEL - ELECTRICAL ROOM - VENTILATION PLAN
1/4" = 1'-0"



LOWER LEVEL - CRAWL SPACE - VENTILATION PLAN
1/4" = 1'-0"

WINNIPEG

Conditions of Use
Verify elevations and/or dimensions on drawing prior to use. Report any discrepancies to Dillon Consulting Limited.
Do not scale dimensions from drawing.
Do not modify drawing, re-use it, or use it for purposes other than those intended at the time of its preparation without prior written permission from Dillon Consulting Limited.



DESIGN	JDB	REVIEWED BY	PDT
DRAWN	JVH	CHECKED BY	JDB
DATE	JUN 15, 2013		
SCALE	AS NOTED		
No.	ISSUED FOR BID OPPORTUNITY NUMBER 850-2013	DATE	BY
		13-11-20	SCK

PAN AM POOL ELECTRICAL UPGRADE		PROJECT NO. 137300
MECHANICAL VENTILATION PLANS		SHEET NO. M202