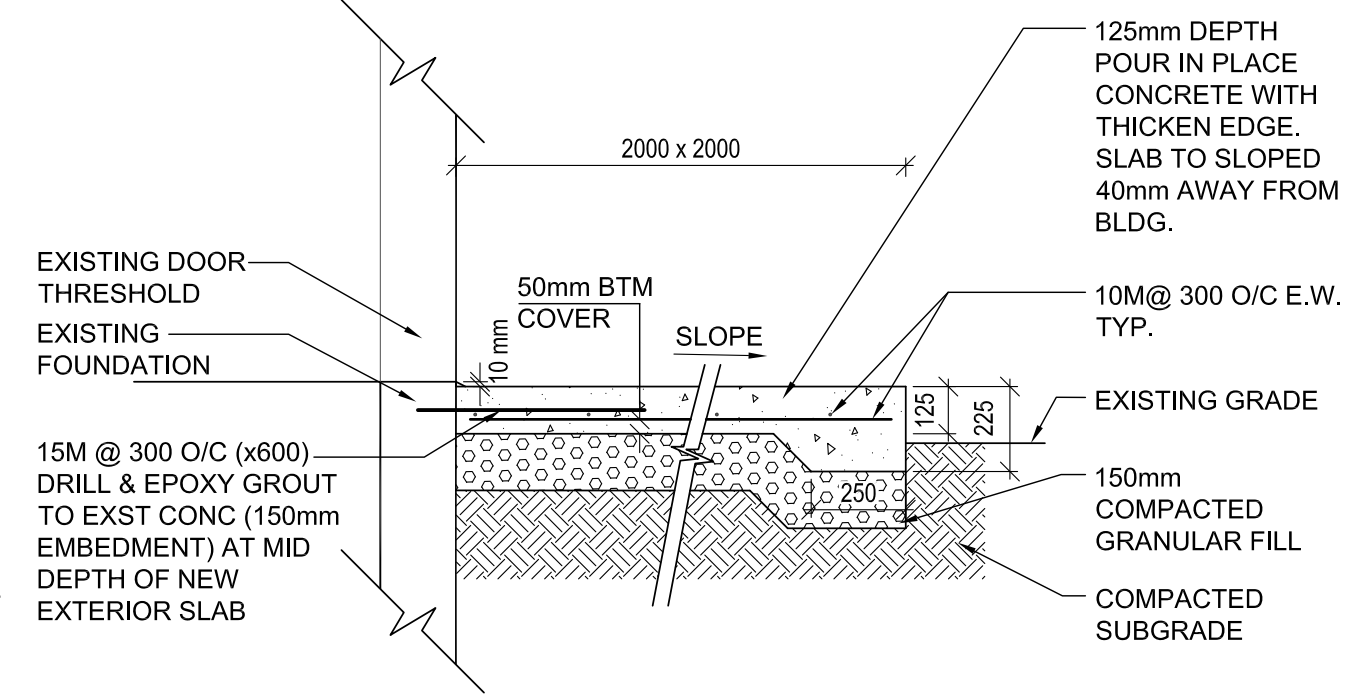


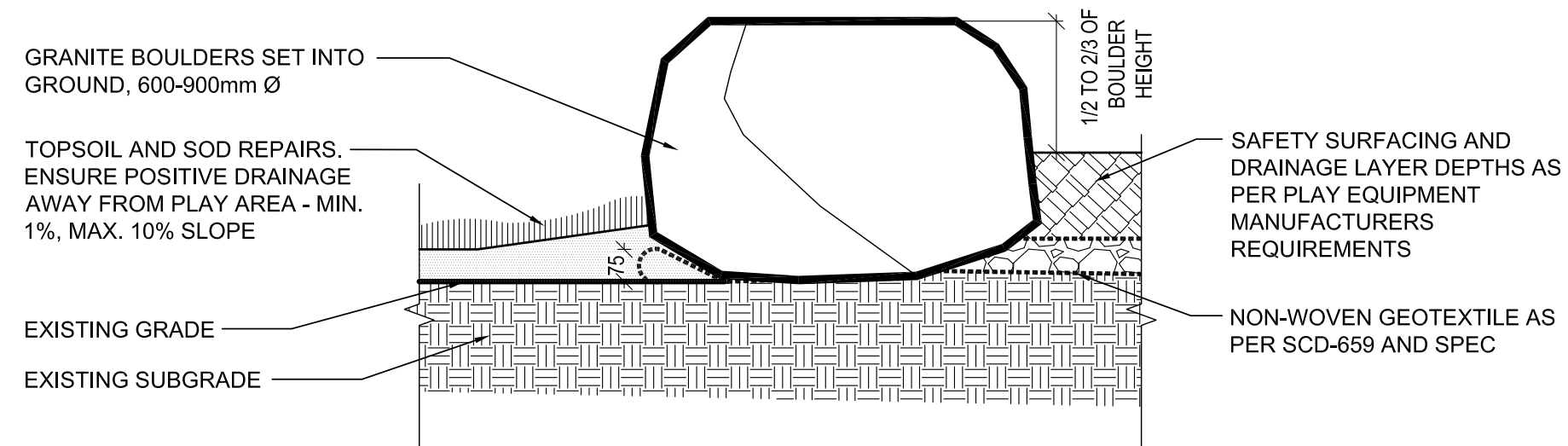
- TIMBER LOG NOTES:**
- TIMBER SHALL BE PINNED WITH MINIMUM OF TWO (2) 19mm DIA. REBAR @ MAX. 1200mm O.C.
 - TIMBER LOGS TO BE DEBARBED AND BE FREE OF ANY JAGGED PROTRUSIONS AT LONGEST LENGTHS POSSIBLE.
 - CONTRACT ADMINISTRATOR SHALL REVIEW TIMBER LOG EDGING PRIOR TO INSTALLATION



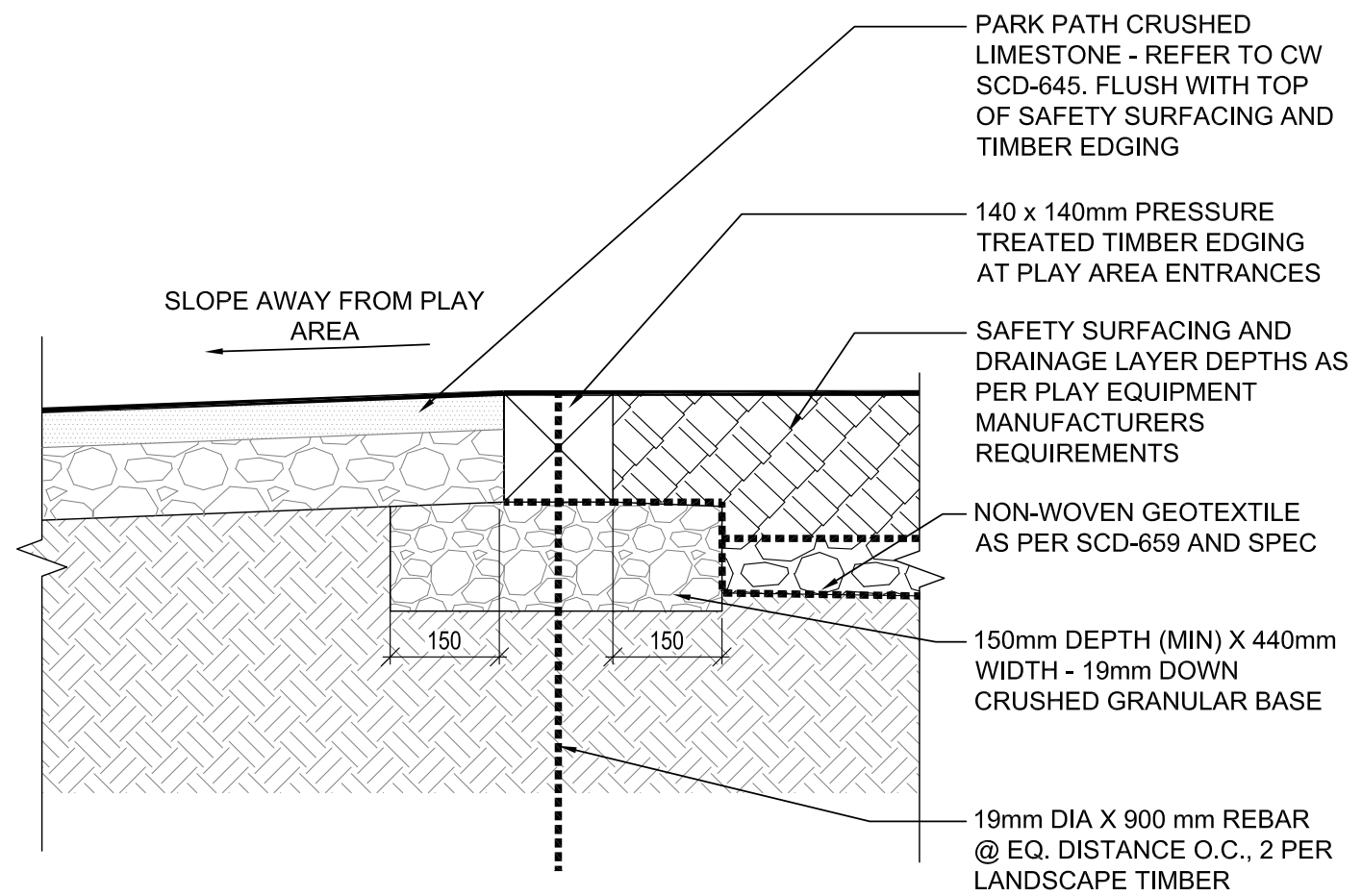
- DETAIL NOTES**
1. SUB-GRADE, SUB-BASE AND BASE COURSE CONSTRUCTION AS PER CW 3110-R10
 2. GEOTEXTILE FABRIC AS PER CW 3130-R1
 3. TOPSOIL AND SOD AS PER CW 3510-R9
 4. PARK PATH CRUSHED LIMESTONE AS PER CW SCD-645 AND CW 3110.
 5. ALL NOTES IN GREY INDICATE FUTURE WORK OR WORK TO BE COMPLETED BY OTHERS UNDER SEPARATE CONTRACT.
 6. REFER ALSO TO WRITTEN SPECIFICATIONS

1
L6 **TIMBER LOG EDGE DETAILS**
SCALE - 1 : 15

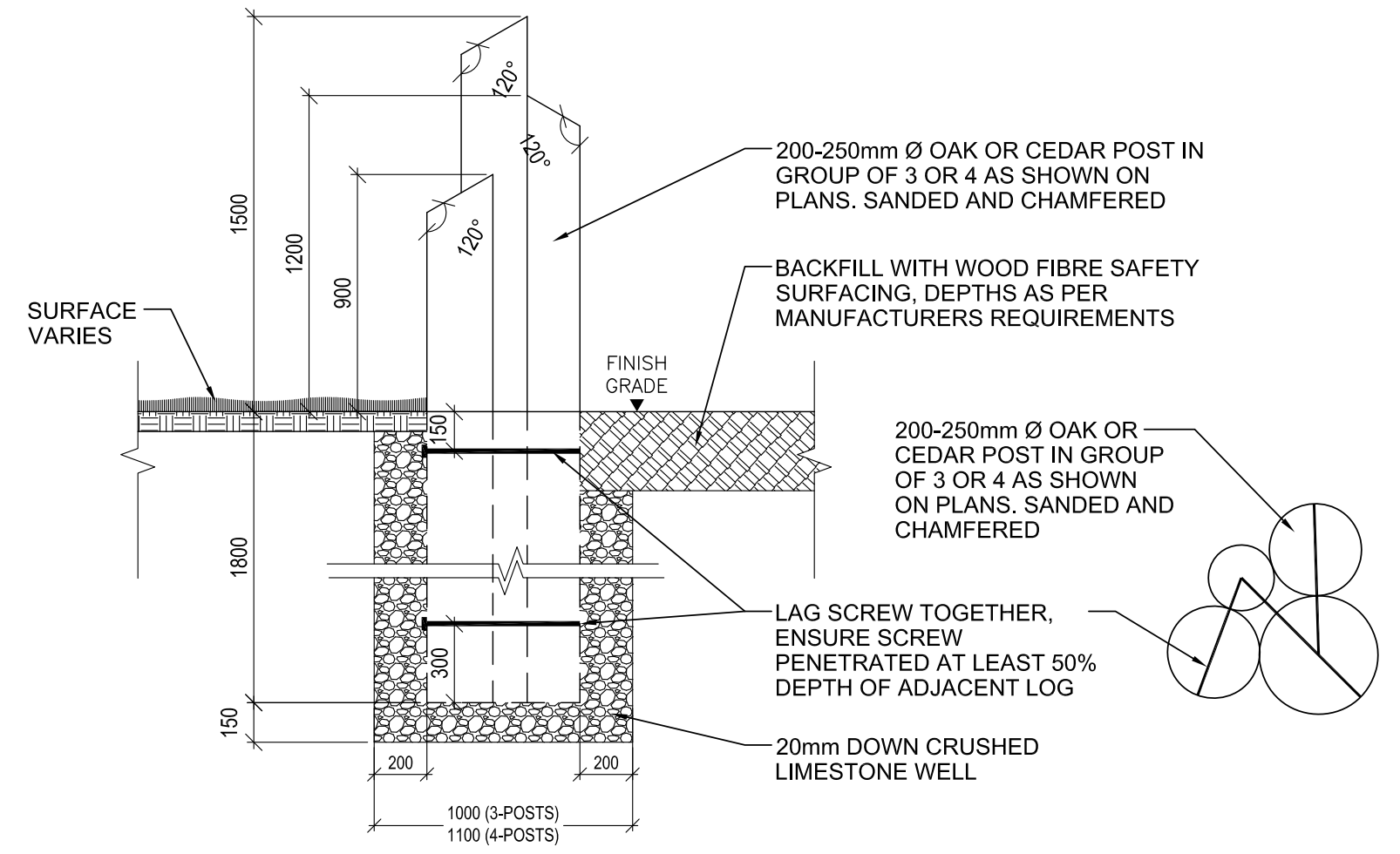
2
L6 **CONCRETE PAD AT BLDG ENTRANCE**
SCALE - 1 : 15



3
L6 **PLAY AREA BOULDER EDGING DETAILS**
SCALE - 1 : 15



4
L6 **LANDSCAPE TIMBER EDGING DETAILS**
SCALE - 1 : 10



A **SECTION**
SCALE - 1 : 25

B **PLAN**
SCALE - 1 : 25

5
L6 **VERTICAL LOGS DETAILS**
SCALE - AS SHOWN

RD	13 / 10 / 21	ISSUED FOR TENDER	JW
REV	YY / MM / DD	DESCRIPTION	BY

A. SECTION LETTER OR DETAIL NUMBER.
B. DRAWING WHERE SECTION OR DETAIL IS DRAWN.
OR
DRAWING WHERE SECTION OR DETAIL IS INDICATED.
- SECTION OR DETAIL SHOWN ON SAME DRAWING.

SEAL

(A/B) (A/B)

SCATLIFF + MILLER + MURRAY Inc.
TEL 204 927-3444 FAX 204 927-3443
1120 - 201 PORTAGE AVE. WINNIPEG, MB, CANADA

CLIENT
CITY OF WINNIPEG

PROJECT
WOODHAVEN COMMUNITY CENTRE PLAY AREA

TITLE
DETAILS

DESIGN	DRAWN	DATE - Y / M / D	SCALE
CO/JW	JW/WF	2013/10/21	AS NOTED
CHECKED	APPROVED	JOB NO.	DRAWING NO.
JW	CO	834-2013	L6