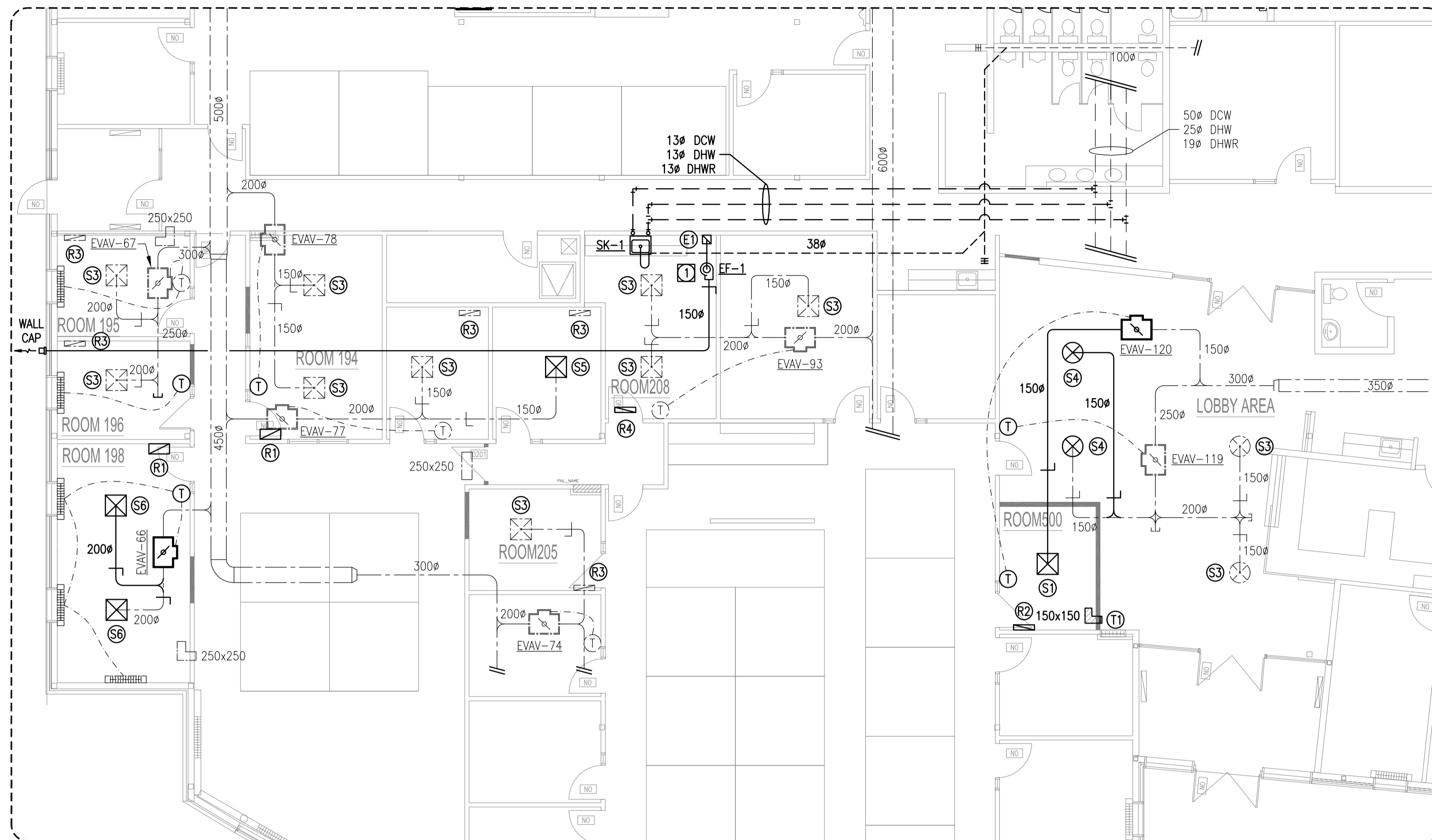
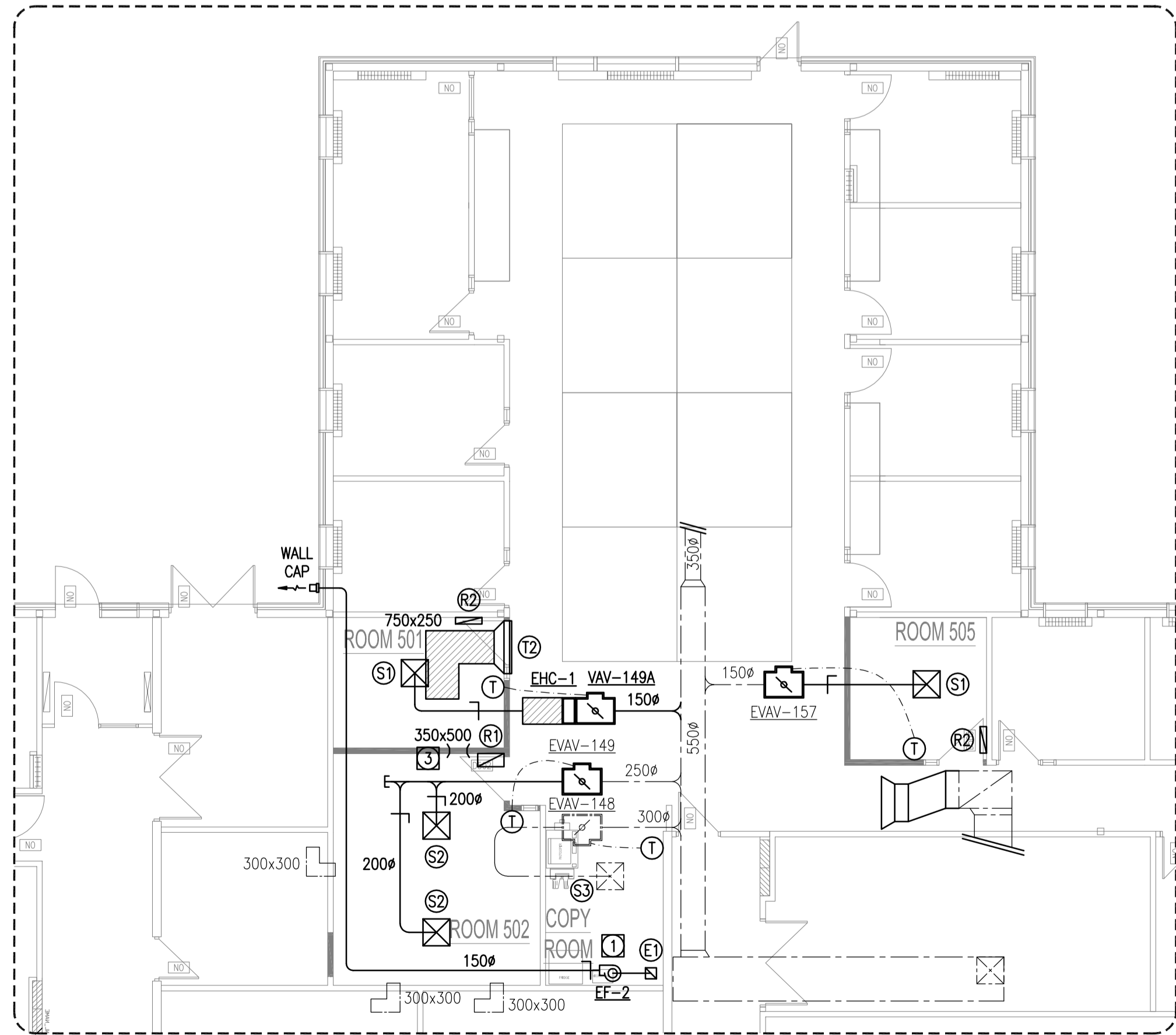


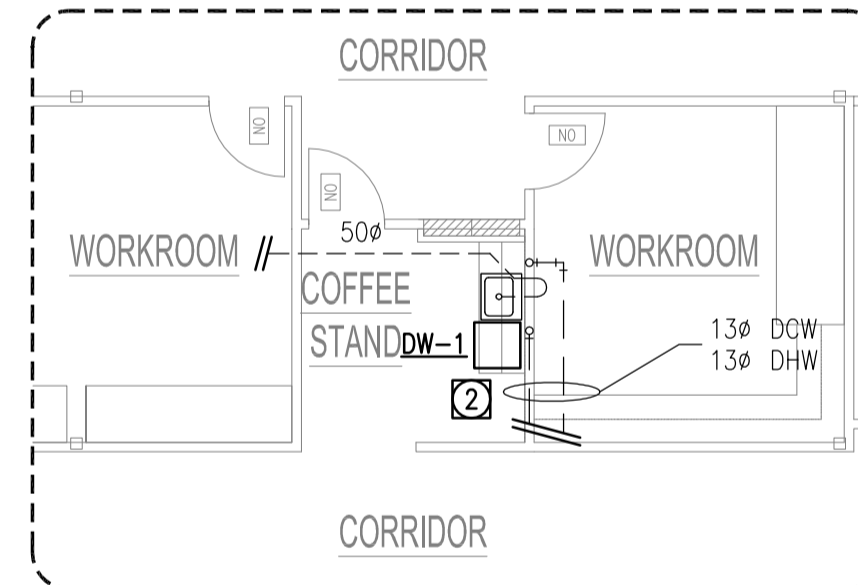
FILE NAME: 201301010.dwg/A2.4
 DATE: 2013.09.23
 SHEET TITLE:
 PROJECT No: 2013-01
 ADDRESS: 1199 PACIFIC AVENUE



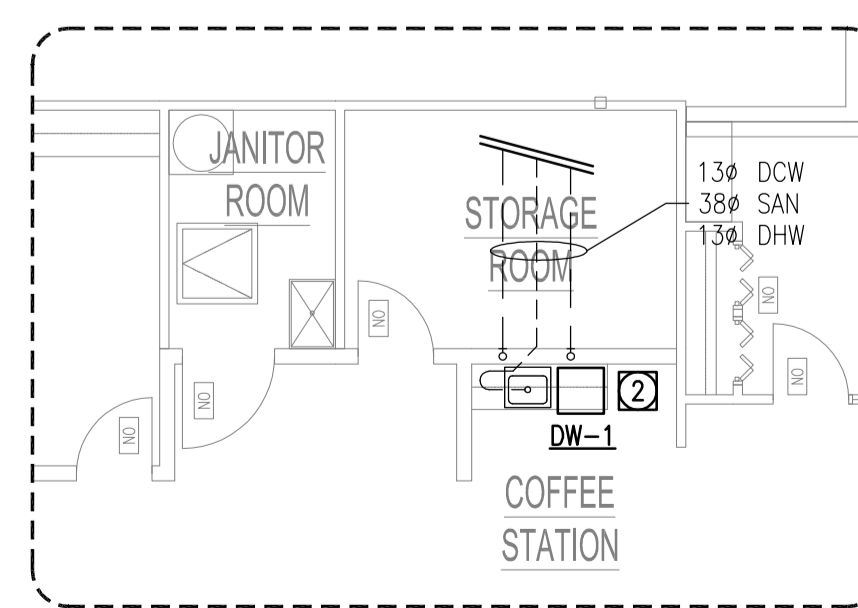
1 PARTIAL MAIN FLOOR - CONSTRUCTION
 M-2 SCALE: 1:100



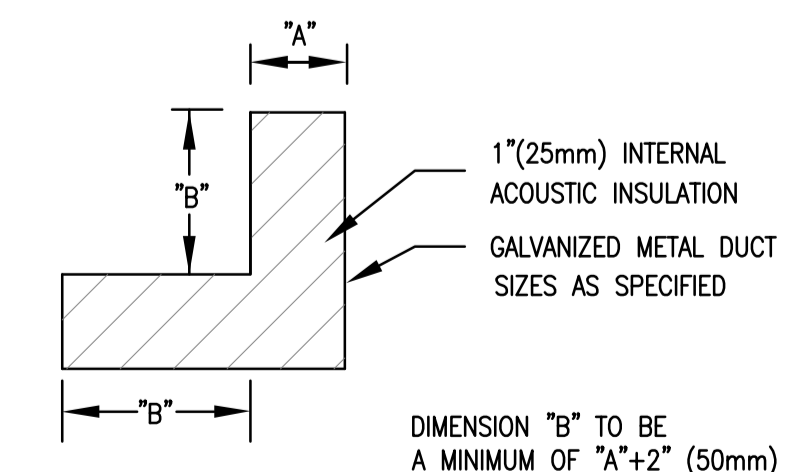
2 PARTIAL MAIN FLOOR - CONSTRUCTION
 M-2 SCALE: 1:100



3 COFFEE STATION - CONSTRUCTION
 M-2 SCALE: 1:100



4 COFFEE STATION - CONSTRUCTION
 M-2 SCALE: 1:100



5 DETAIL: TRANSFER DUCT SOUND TRAP
 M-2 SCALE: N.T.S.

LEGEND

EXISTING EQUIPMENT/DUCTWORK TO REMAIN	---
NEW OR MODIFIED EQUIPMENT/DUCTWORK	---
EXISTING SANITARY PIPING	---
NEW SANITARY PIPING	---
EXISTING DOMESTIC WATER PIPING	---
NEW DOMESTIC WATER PIPING	---
CONTROL WIRING	---

GRILLE SCHEDULE

TAG	TYPE	SIZE (mm)	AIR FLOW (L/S)	REMARKS
S1	A	150ø NECK	40	
S2	A	200ø NECK	95	
S3	F	-	-	AIRFLOW TO REMAIN UNCHANGED
S4	G	-	35	RELOCATE/REBALANCE
S5	G	-	60	REBALANCE
S6	G	-	75	REBALANCE
R1	B	550x250	-	PLENUM RETURN
R2	C	550x100	-	PLENUM RETURN
R3	F	-	-	
R4	G	-	-	RELOCATE
T1	D	200x200	-	HIGH LEVEL REFER TO DETAIL 5M/-2
T2	D	1200x300	-	HIGH LEVEL REFER TO DETAIL 5M/-2
E1	E	200x200	50	

- NOTES:
- CALL OUT NOTES -**
- NEW EXHAUST FAN TO BE MOUNTED IN CEILING SPACE AND DISCHARGE TO OUTDOORS. 150ø EXHAUST DUCT TO RUN IN CEILING SPACE.
 - CONNECT DISHWASHER DRAIN TO EXISTING KITCHEN SINK TRAP WITH A DISHWASHER FITTING. PIPE DISHWASHER DHW LINE TO EXISTING KITCHEN SINK DHW PIPE.
 - PROVIDE A 350x500 TRANSFER OPENING IN WALL ABOVE CEILING.

EQUIPMENT SCHEDULE

- EF-1 AND EF-2 EXHAUST FANS**
 50 L/S AT 62 Pa ESP, VOLTAGE TO SUIT, FRACTIONAL HP, CONDUIT WIRING BOX, SPEED CONTROLLER, DUCT COLLAR INLET, IMPERIAL R-2 WALL CAP C/W WEIGHTED BACKDRAFT DAMPER. ACCEPTABLE PRODUCT: DELHI MODEL DS04 OR SIMILAR.
- VAV-149A NEW AIR VALVE FOR ROOM 501**
 150ø INLET COLLAR, STRAIGHT SILENCER, 25mm INTERNAL INSULATION, HEAT/COOL ADJUST, FULLY MODULATING DAMPER, THERMOSTAT AND CONTROLLER TO MATCH EXISTING JOHNSON METASYS CONTROL SYSTEM. ACCEPTABLE PRODUCT: E.H. PRICE MODEL SDVQ OR SIMILAR.
- EHC-1 ELECTRIC REHEAT COIL**
 OPEN COIL, SIDE MOUNT, SLIDE-IN TYPE, 1 KW AT ACTUAL VOLTAGE, VOLTAGE TO SUIT, SCR CONTROLLER WITH DISCHARGE AIR SENSOR, MANUAL RESET HIGH LIMIT, AUTO RESET HIGH LIMIT, SILENT CONTACTOR, CONTROL TRANSFORMER. ACCEPTABLE PRODUCT: E.H. PRICE MODEL SDV SERIES OR SIMILAR.
- EVAV-# EXISTING AIR VALVE**
 EXISTING TO REMAIN.
- SK-1 KITCHEN SINK**
 533x529x254 SINGLE COMPARTMENT COMMERCIAL STAINLESS STEEL SINK WITH FAUCET LEDGE, 200mm CENTERS, BASKET STRAINER, DRAIN ASSEMBLY, INSTALLATION KIT, SATIN FINISH, TRAP, CP ANGLE STOPS, CP FLEXIBLE SUPPLY TUBES; FAUCET: SINGLE LEVER DECKMOUNT FAUCET, 180° SWING, CHROME FINISH. ACCEPTABLE PRODUCT: SINK: FRANKE MODEL LBS6110P-1 OR SIMILAR. FAUCET: DELTA MODEL 100-DST OR SIMILAR.
- DW-1 DISHWASHER**
 UNDERCOUNTER ACCESSIBLE TYPE DISHWASHER. ACCEPTABLE PRODUCT: WHIRLPOOL MODEL WDF550S0A8 OR SIMILAR.
- GRILLES, REGISTERS AND DIFFUSERS:**
 TYPE "A": E.H. PRICE MODEL SPD SQUARE PLAQUE DIFFUSER, T-BAR LAY-IN, 300x300 FACE.
 TYPE "B": E.H. PRICE MODEL PDDR PERFORATED RETURN DIFFUSER, T-BAR LAY-IN, 600x300 FACE.
 TYPE "C": E.H. PRICE MODEL PDDR PERFORATED RETURN DIFFUSER, T-BAR LAY-IN, 600x150 FACE.
 TYPE "D": E.H. PRICE MODEL 530 LOUVERED RETURN GRILLE, SURFACE MOUNT, 3/4" BLADE SPACING, 45° DEFLECTION, FIXED LOUVERS.
 TYPE "E": E.H. PRICE MODEL 80 EGG CRATE GRILLE, T-BAR LAY-IN.
 TYPE "F": EXISTING DIFFUSER TO REMAIN.
 TYPE "G": EXISTING DIFFUSER TO BE REUSED.

- THERMAL INSULATION**
- DOMESTIC WATER, PLUMBING VENTING, SANITARY DRAINAGE AND STORM DRAINAGE SYSTEMS:**
 COLD WATER PIPING, RAIN WATER LEADERS, VENT PIPING, DRAINAGE PIPING, SYSTEMS OPERATING UNDER 60°F (15°C):
 • PIPES UP TO 2" (50MM)Ø: 1/2" (13MM) PRE-FORMED, FLEXIBLE ELASTOMERIC, CLOSED CELL; PRE-SLIT; SELF STICKING JOINTS; FLAME SPREAD RATING <25, SMOKE DEVELOPED RATING <50; IMCOA OR SIMILAR.
- HOT WATER PIPING, HOT WATER RECIRCULATION, SYSTEMS OPERATING OVER 100°F (38°C) TO 180°F (83°C):**
 • PIPES UP TO 2" (50MM)Ø: 1/2" (13MM) PRE-FORMED, FLEXIBLE ELASTOMERIC, CLOSED CELL; PRE-SLIT; SELF STICKING JOINTS; FLAME SPREAD RATING <25, SMOKE DEVELOPED RATING <50; IMCOA OR SIMILAR, OR 1" (25MM) FIBERGLAS CANADA 850 PRE-FORMED PIPE INSULATION WITH ALL SERVICE PAPERLESS JACKET; ALL JOINTS TO BE OVERLAPPED, STAPLED AND SEALED WITH ALUMINUM TAPE.
- DUCT SYSTEMS:**
 EXHAUST DUCTS DISCHARGING TO OUTDOORS (3M BACK FROM EXTERIOR WALL PENETRATION):
 • 1" (25MM) FIBERGLAS CANADA AF-530 RFRK RIGID BOARD INSULATION WITH VAPOR BARRIER. FLEXIBLE INSULATION MAY BE USED FOR ROUND DUCTWORK. ALL JOINTS TO BE OVERLAPPED, STAPLED AND SEALED WITH ALUMINUM TAPE.
- PIPE MATERIALS**
- DRAINAGE AND VENT PIPING**
- ABOVE GRADE:**
- CAST IRON SOIL PIPE AND FITTINGS OR COPPER TUBE, TYPE DW WITH SUITABLE FITTINGS
 - WHERE PERMITTED BY CODE, FIRE RATED PVC, PVC OR ABS PIPING SYSTEMS MAY BE USED AS A SUBSTITUTE MATERIAL.
- BELOW GRADE:**
- PVC OR CAST IRON SOIL PIPE, CLASS 4000, WITH BELL AND SPIGOT OR MECHANICAL JOINTS.
 - WHERE PERMITTED BY CODE, PVC OR ABS PIPING SYSTEMS MAY BE USED AS A SUBSTITUTE MATERIAL.
- DOMESTIC HOT AND COLD WATER PIPING**
- ABOVE GRADE UP TO 2" (50MM)Ø:**
- TYPE "L" HARD COPPER WITH WROUGHT OR CAST SOLDERED TYPE FITTINGS.
 - PEX-AL-PEX OR PEX CROSS LINKED POLYETHYLENE, CRIMP OR COMPRESSION FITTINGS.
 - CPVC SCHEDULE 80, WITH SOLVENT WELDED SOCKET FITTINGS.

1	RE-ISSUED FOR CONSTRUCTION	AI	2013.09.25
0	ISSUED FOR CONSTRUCTION	AI	2013.09.23

No. REVISION/DESCRIPTION BY DATE

SEAL

G.D. Stasyneec and Associates Ltd.
 Engineering Consultants
 551 Academy Road
 Winnipeg, Manitoba
 Canada, R3N 0E4
 T: (204) 488-1332
 F: (204) 488-1337
 E: stasyneec@amethyst.mb.ca

DRAWN	AI	CHECKED	GDS	DESIGNED	AI	APPROVED	GDS
DATE	2013.09.23	USER	APPROVAL				

THE CITY OF WINNIPEG
 PLANNING, PROPERTY AND
 DEVELOPMENT DEPARTMENT
 MUNICIPAL ACCOMMODATIONS DIVISION
 3-65 GARRY STREET, R3C 4K4

PROJECT
WASTE WATER SERVICES
 ALTERATIONS TO WASTE WATER
 OFFICE AREAS
 1199 PACIFIC AVENUE

SHEET TITLE
**MECHANICAL CONSTRUCTION
 LAYOUTS**

SCALE	PROJECT No:	SHEET No:
AS SHOWN	2013-101	M-2 R-1