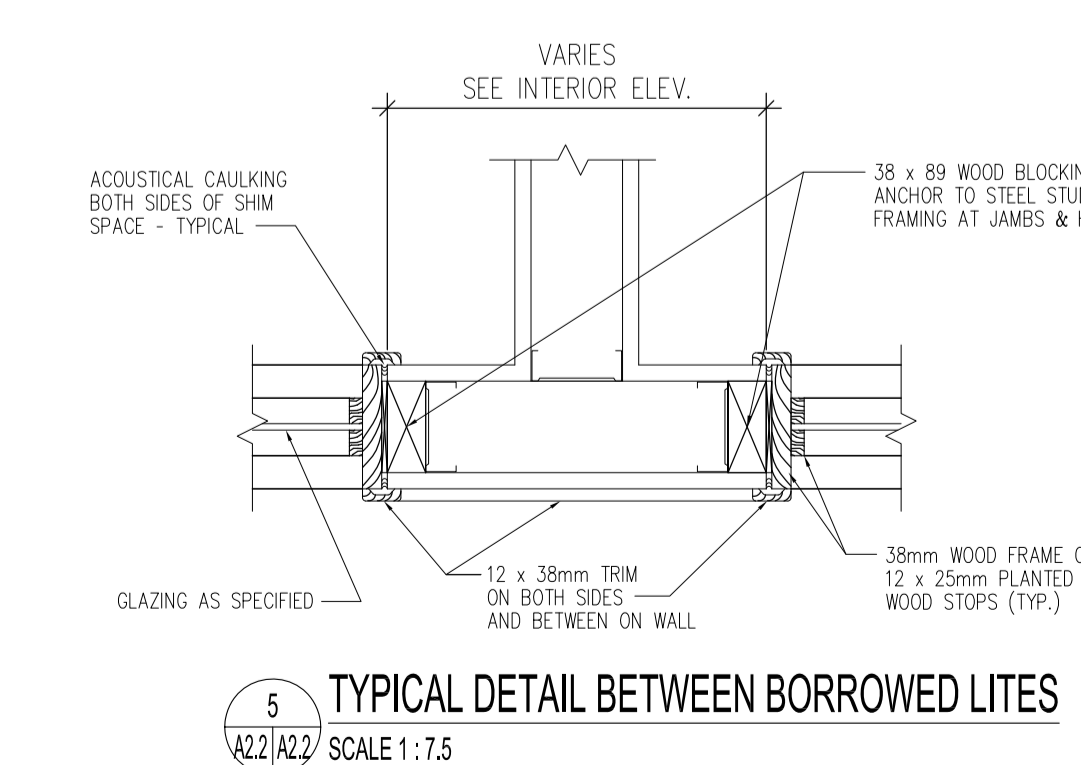
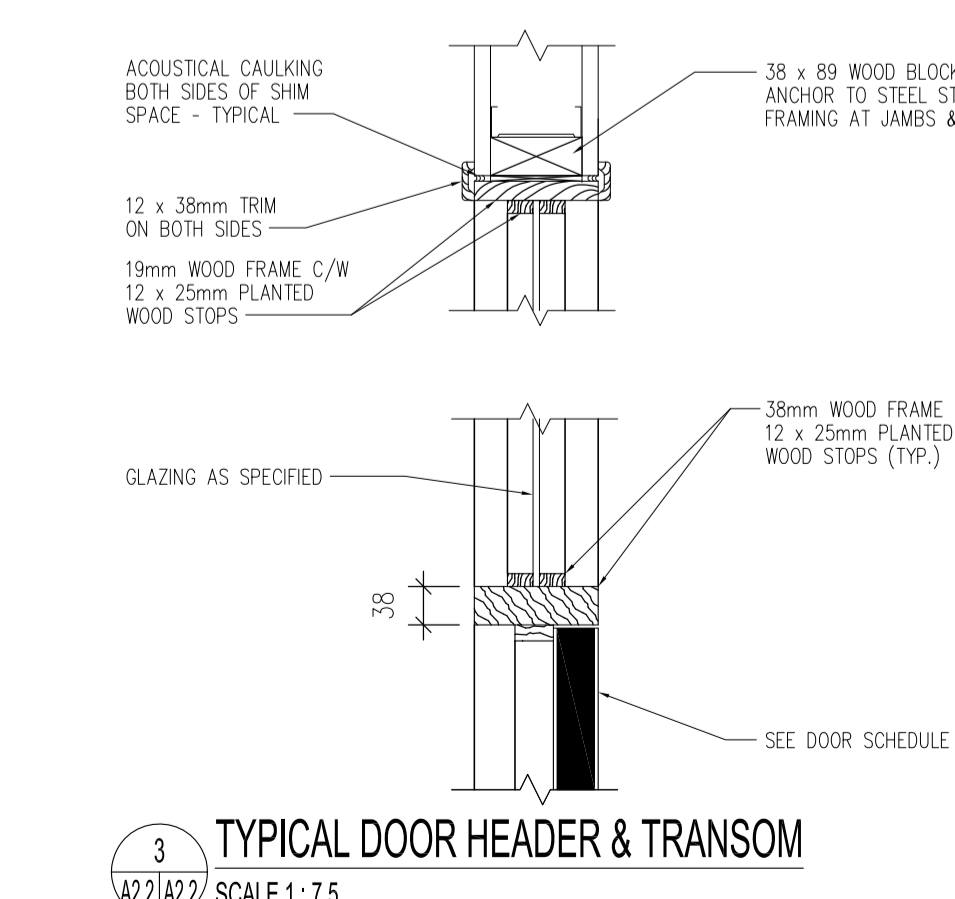
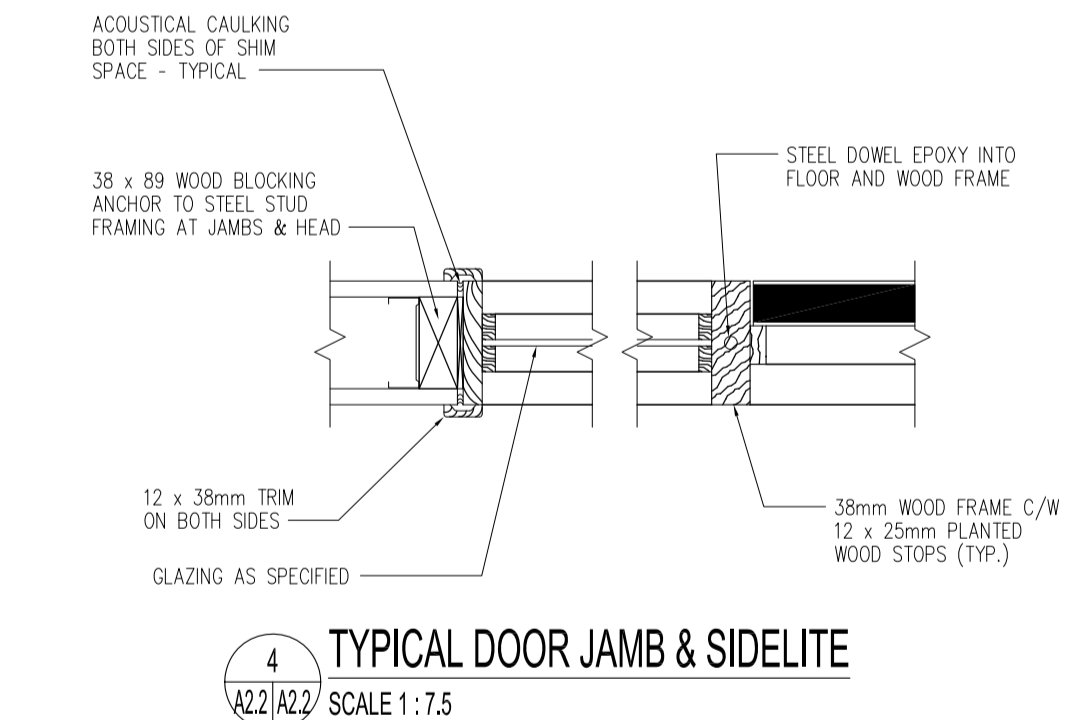
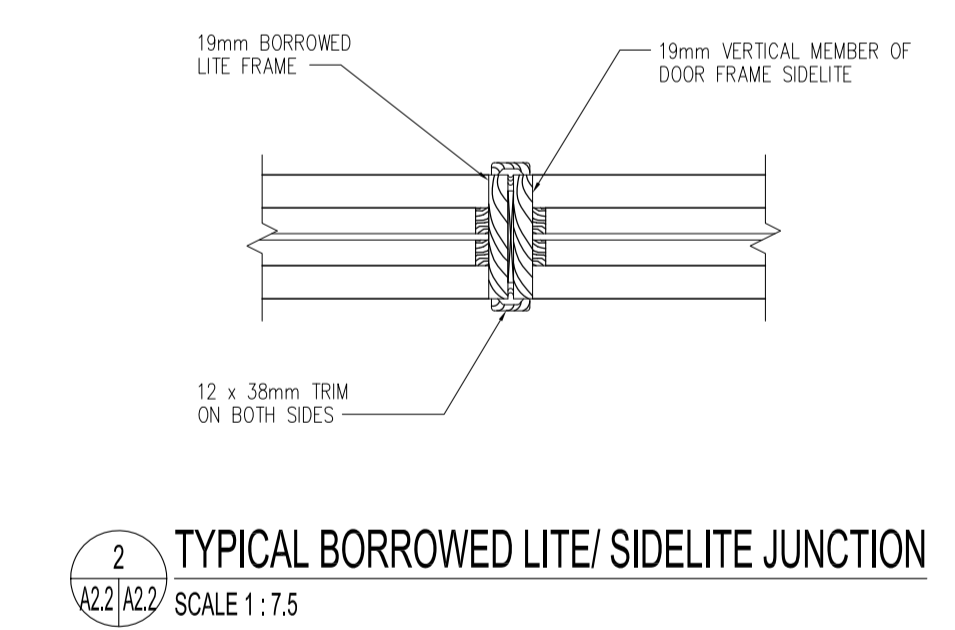
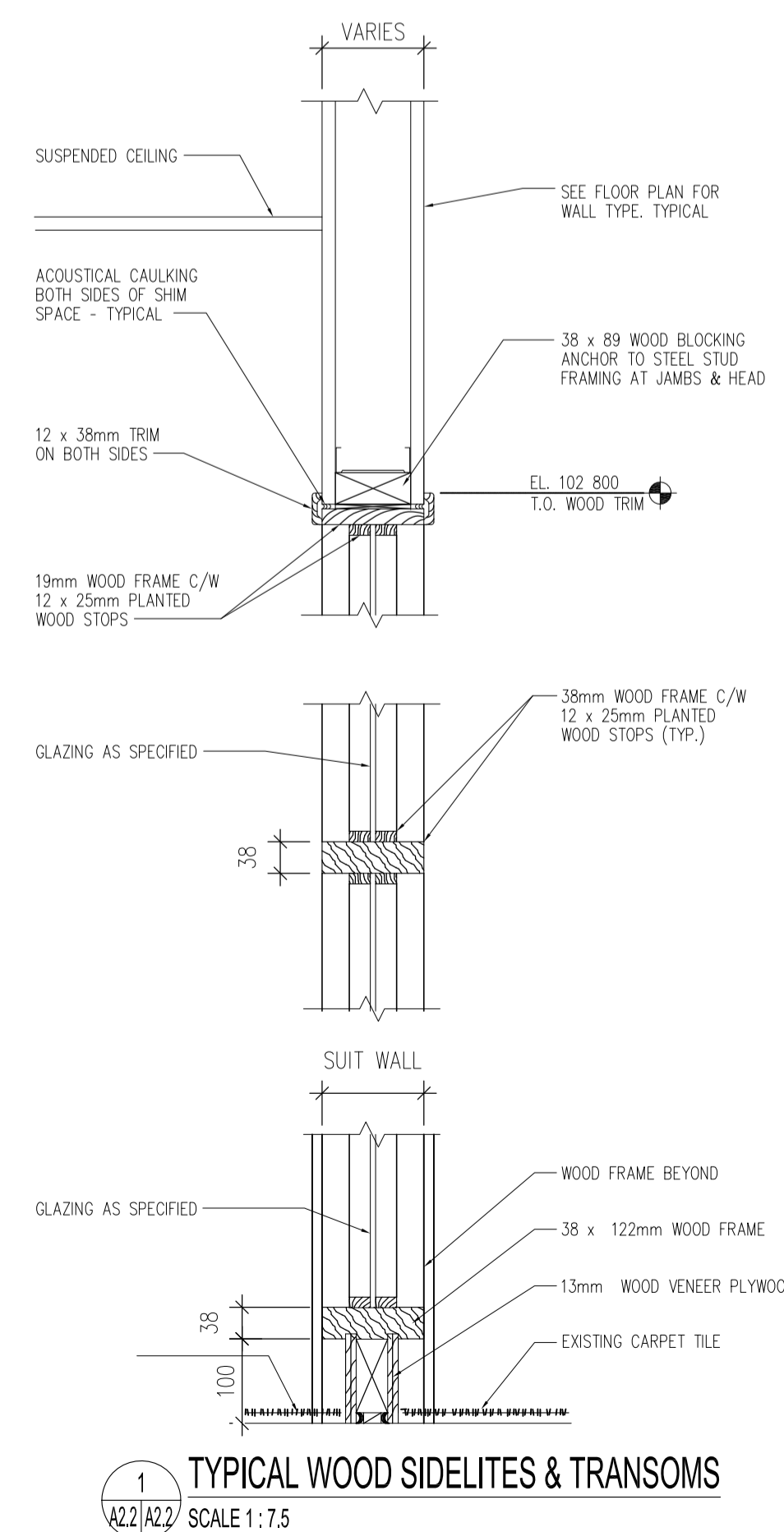
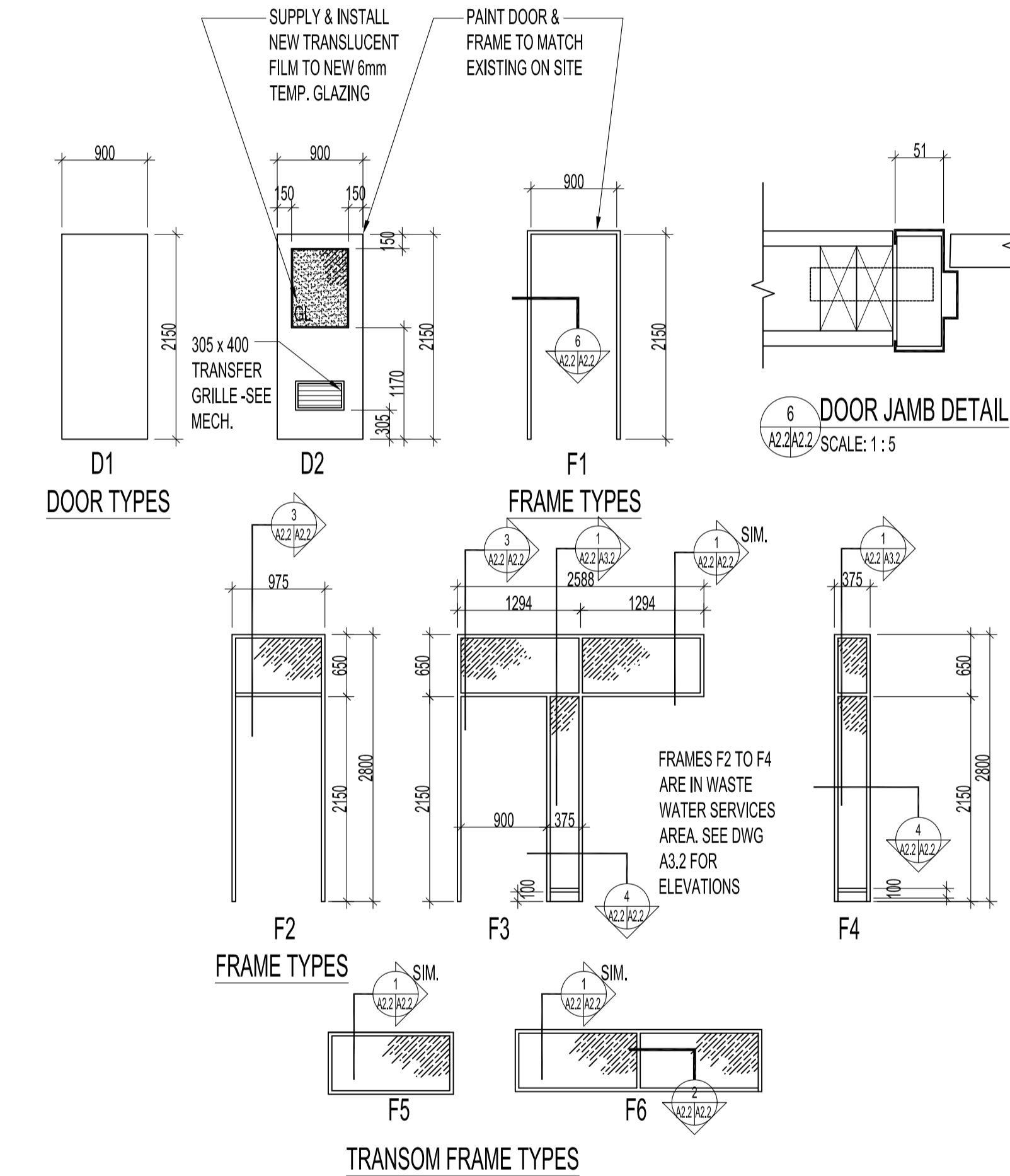
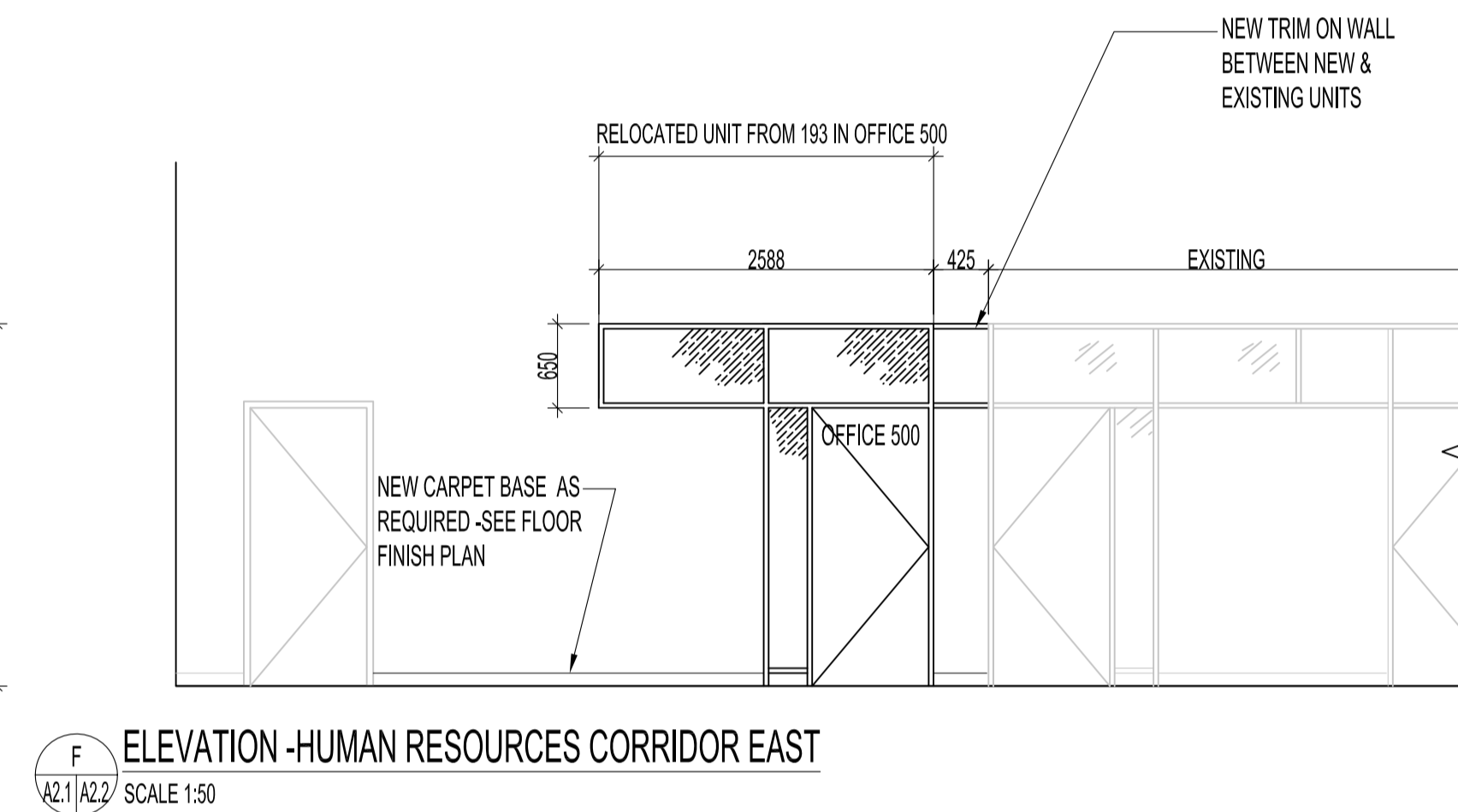
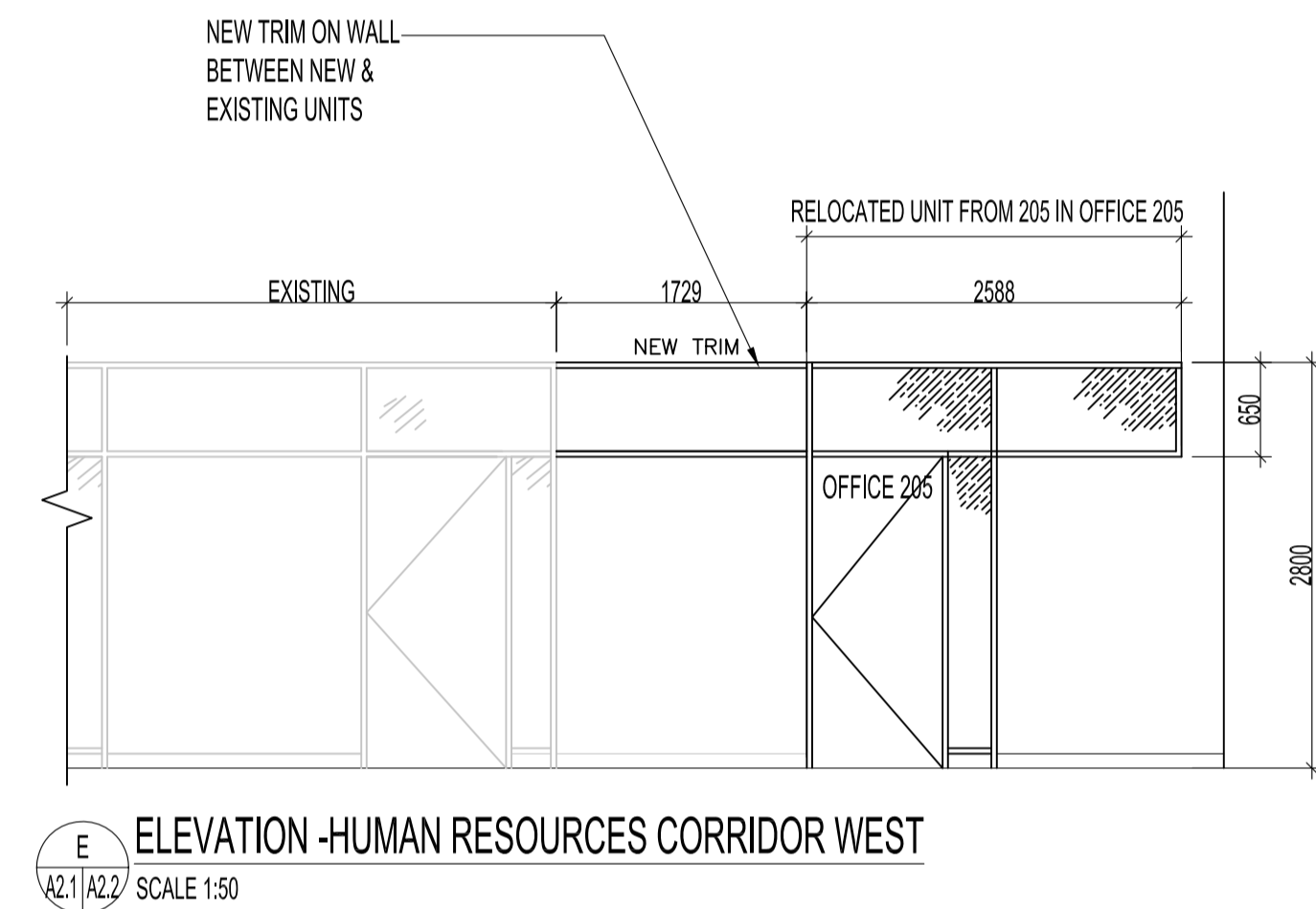
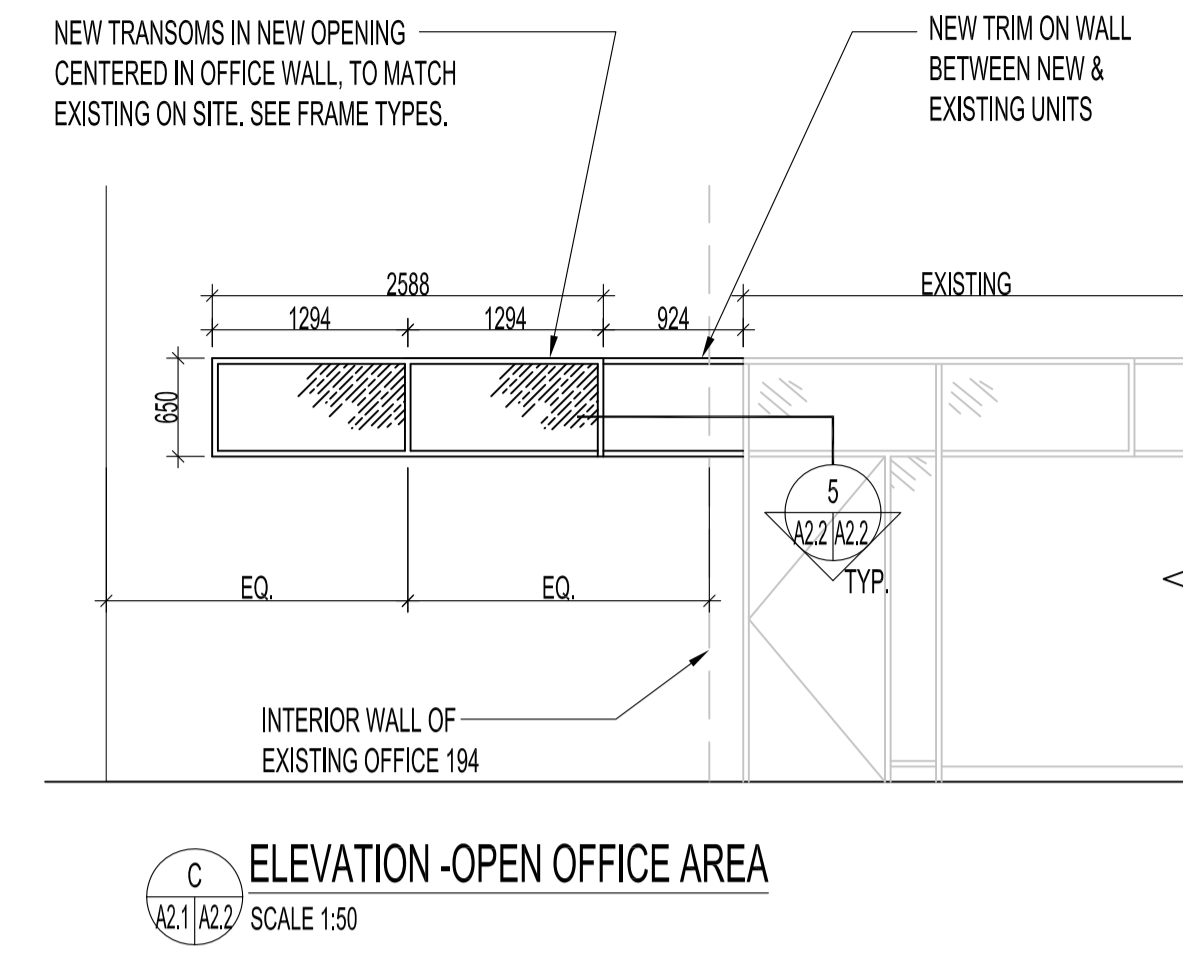
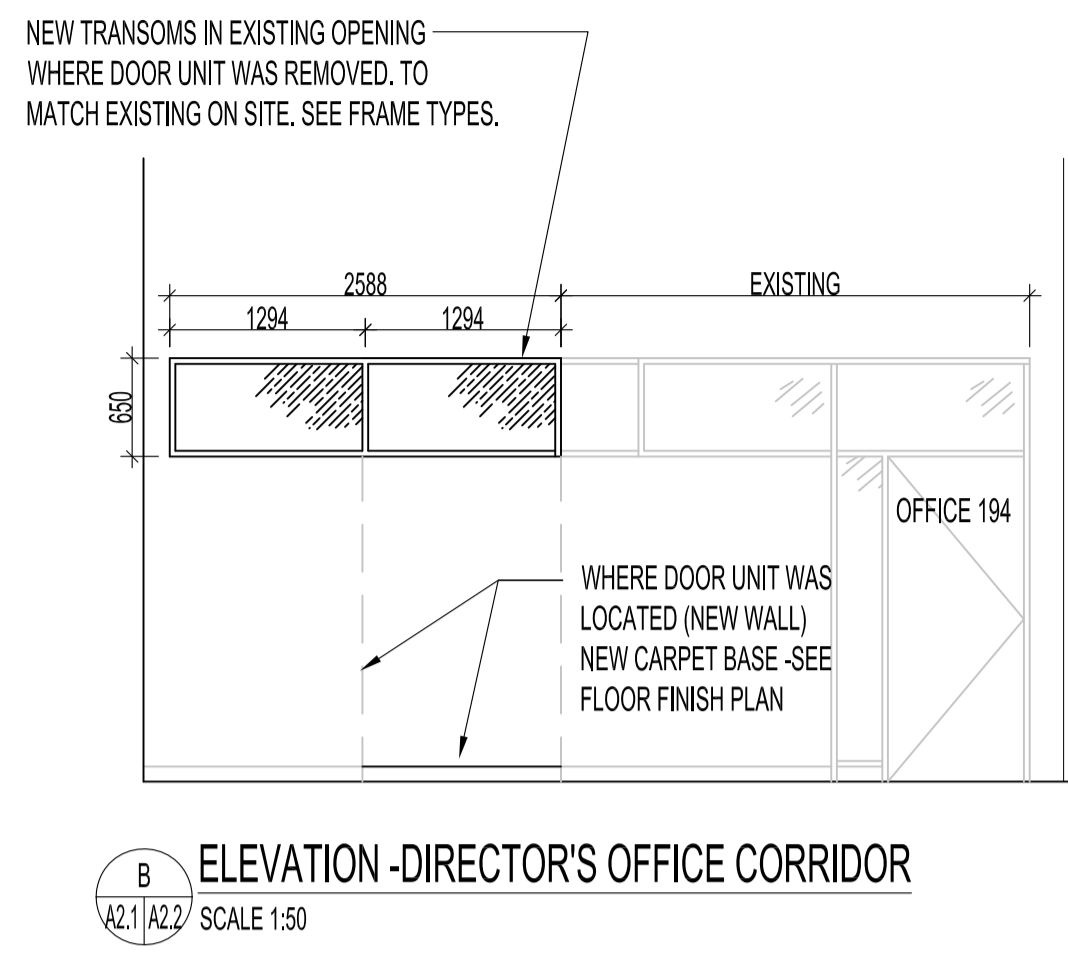
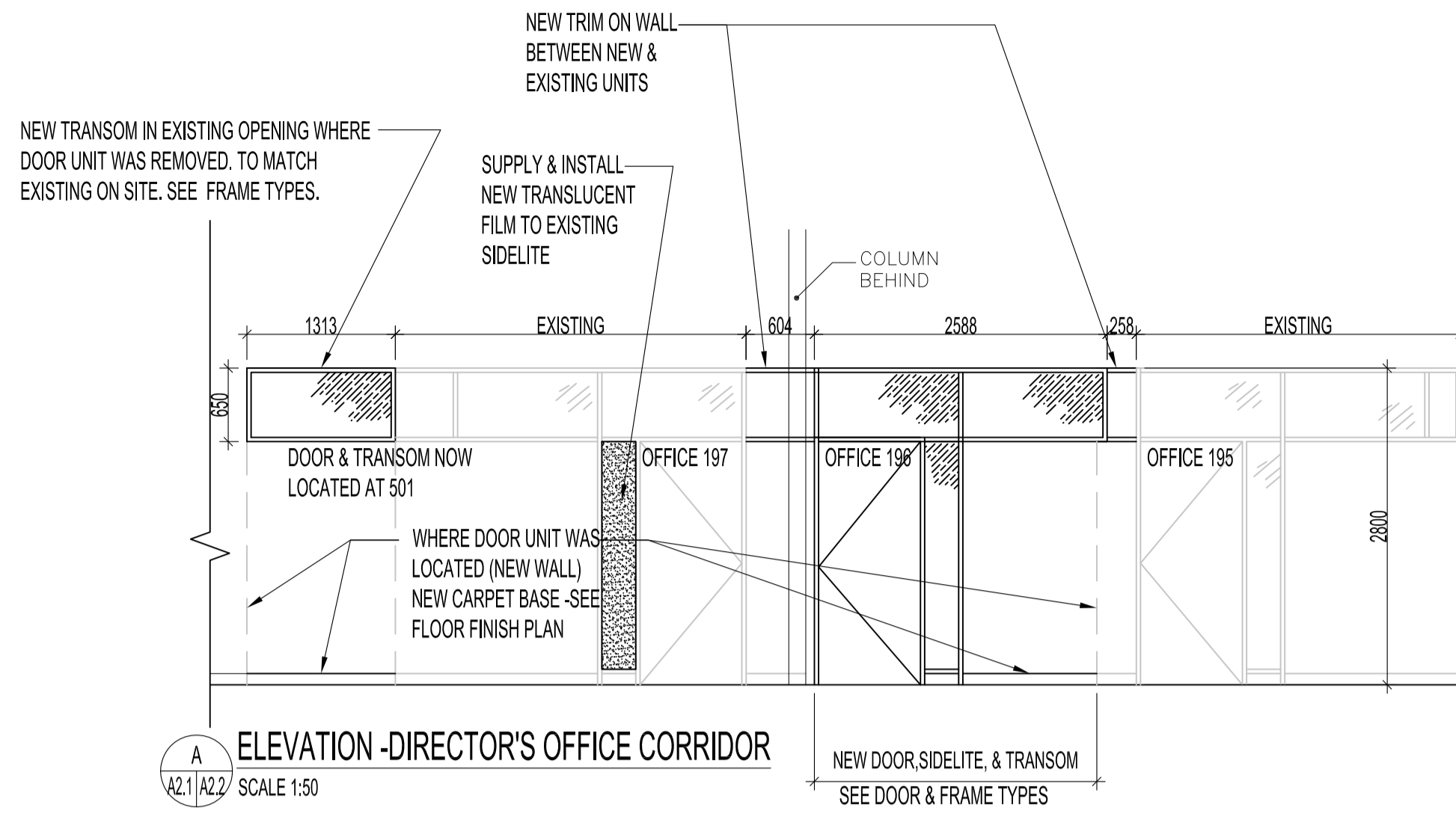


**NOTES:**  
STANDARDS OF MATERIAL AND QUALITY OF CONSTRUCTION TO MEET AVMAC STANDARDS.

PROVIDE SHOP DRAWINGS FOR MILLWORK.

**NOTE:**  
ALL NEW DOOR FRAMES, TRANSOMS, SIDELITE WIDTHS & SIZES TO MATCH EXISTING ON SITE. SITE CONFIRM FOR DIMENSIONS NOT SHOWN.

WOOD DOORS TO BE PARTICLEBOARD CORE & FACE PANELS TO BE PREMIUM BIRCH A2 RIFT CUT, UNIFORM WHITE FACE.



DOOR NO.	DOOR				FRAME			HARDWARE GROUP	NOTES		
	TYPE	WIDTH	HEIGHT	THICK.	MAT'L.	FINISH	TYPE			MAT'L.	FINISH
D196	D1	900 x	2150 x	45	SCBV	NAT	F3	SB	NAT	2	
D201	D2	900 x	2150 x	45	SCHD	PT	F1	PS	PT	1	DOOR GRILLE - SEE MECHANICAL DWGS
D502	D1	900 x	2150 x	45	SCBV	NAT	F2	SB	NAT	2	

ABBREVIATIONS  
SCHD-SOLID CORE HARDBOARD SCMV-SOLID CORE BIRCH VENEER SB-SOLID BIRCH P.S.-PRESSED STEEL PT.-PAINT NAT-NATURAL

**HARDWARE GROUP #1**  
ALL HARDWARE TO MATCH EXISTING ON SITE  
-3 HINGES 3CB1 114 x 101 652 IVE  
-PASSAGE SET ND10 RHO 626 SCH  
-LCN CLOSER 4011  
-DOME STOP FS436/FS438  
KICKPLATES 8400 300 x 813, 630 IVE  
-CARD ACCESS (SEE ELEC. DWG)

**HARDWARE GROUP #2**  
ALL HARDWARE TO MATCH EXISTING ON SITE  
-3 HINGES 3CB1 114 x 101 652 IVE  
-PASSAGE SET ND10 RHO 626 SCH  
-DOME STOP FS436/FS438

No.	REVISION/DESCRIPTION	BY	DATE
SEAL			

DRAWN	CHECKED	DESIGNED	APPROVED
DATE 2013.09.13	USER APPROVAL		

THE CITY OF WINNIPEG  
PLANNING, PROPERTY AND DEVELOPMENT DEPARTMENT  
MUNICIPAL ACCOMMODATIONS DIVISION  
3-65 GARRY STREET, R3C 4K4

PROJECT  
WASTE WATER SERVICES  
ALTERATIONS TO WASTE WATER OFFICE AREAS  
1199 PACIFIC AVENUE

SHEET TITLE  
PARTIAL MAIN FLOOR PLAN  
MILLWORK ELEVATIONS & SECT. FOR HR, DIRECTOR'S OFFICE & CUSTOMER SERVICE

SCALE	PROJECT No:	SHEET No:
AS SHOWN	2013-101	A2.2