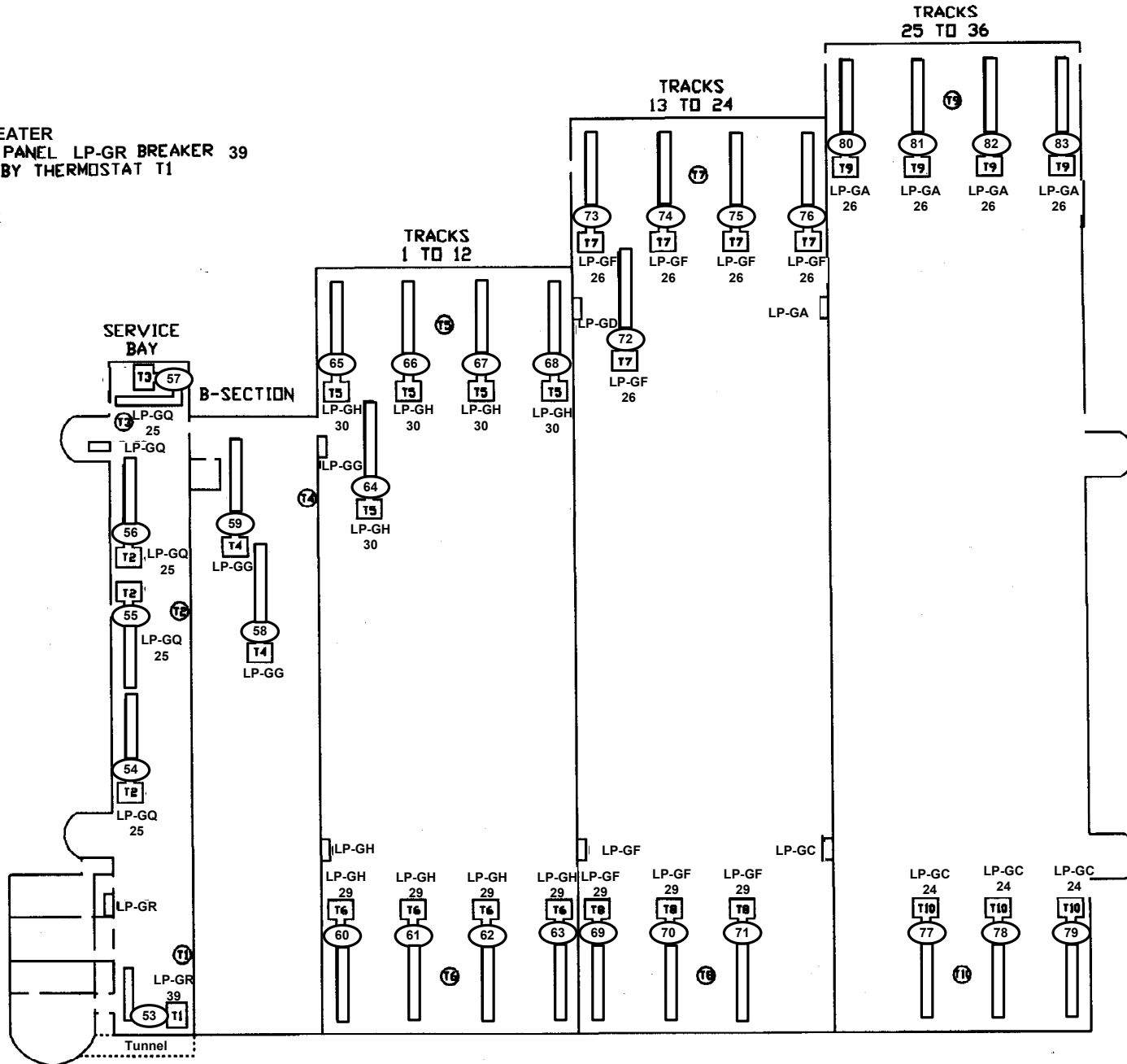


**LEGEND**

**T1** THERMOSTAT

**53** **T1** INFRA RED HEATER  
POWERED BY PANEL LP-GR BREAKER 39  
CONTROLLED BY THERMOSTAT T1

**53** UNIT NUMBER



**WINNIPEG TRANSIT  
DEPARTMENT**  
421 Osborne Street  
Winnipeg MB R3L 2A2  
Tel: 986-5812 / 479-5430  
avecherya@winnipeg.ca

PROJECT  
**INSPECTION AND REPAIR  
OF HVAC EQUIPMENT AT  
WINNIPEG TRANSIT  
DEPARTMENT**

SHEET TITLE  
**LOCATION OF INFRA RED  
HEATERS AT FORT ROUGE  
GARAGE  
STORAGE TRACKS**

DRAWN BY <b>AV</b>	CHECKED BY <b>AV</b>	APPR. BY
-----------------------	-------------------------	----------

eFILE 806-2013 <u>DRAWING A-4-RO</u>	PROJECT No <b>806-2013</b>
--	-------------------------------

DATE <b>2013. 09.30</b>	SCALE <b>NTS</b>
----------------------------	---------------------

SHEET No  
**A-4**