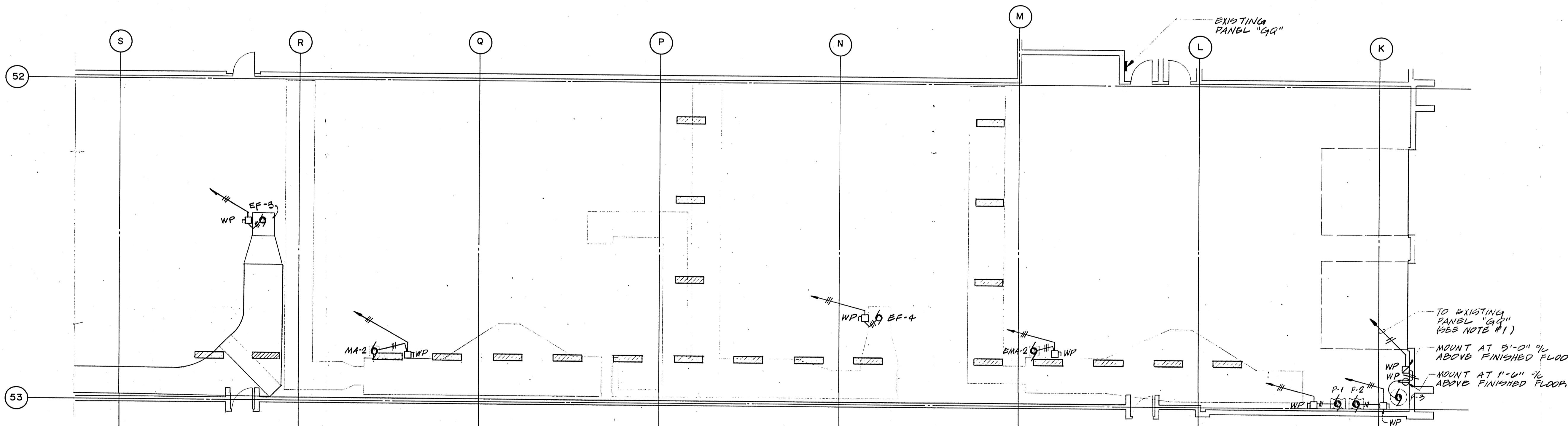


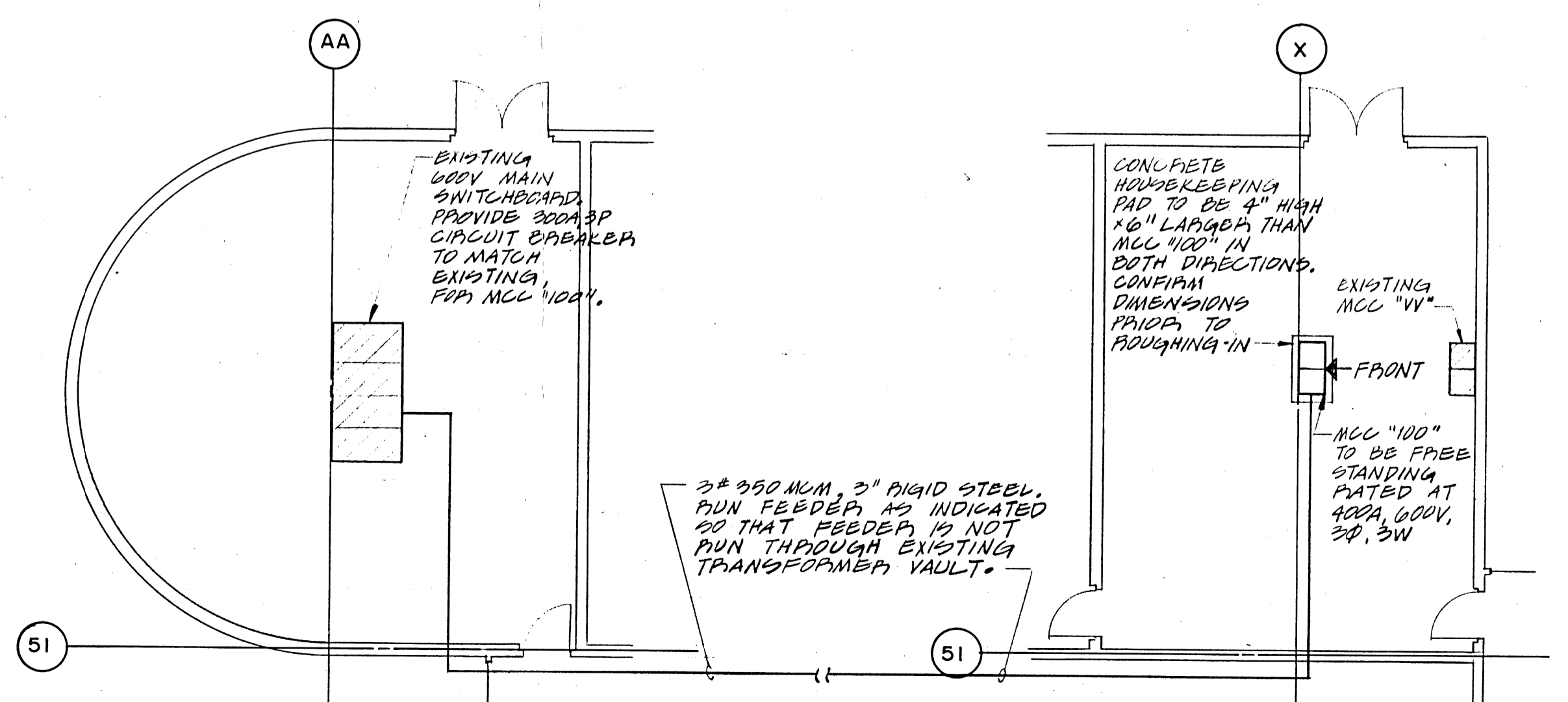
LEGEND	
SYMBOL	DESCRIPTION
⊕	DUPLEX RECEPTACLE
⊞	MANUAL MOTOR STARTER
⚡	MOTOR ("EF-4" DENOTES EQUIPMENT NAME)
⊞	DISCONNECT SWITCH
— — —	BRANCH CIRCUIT WIRING (3 LIVE CONDUCTORS SHOWN)
— — —	HOMERUN
WP	WEATHERPROOF, CEMA 3 RATED

- NOTES**
1. PROVIDE NEW 12AIP BUBAKER IN EXISTING PANEL "99" FOR MOTOR P-3.
  2. WHERE LIGHT FIXTURES ARE TO BE HUNG BELOW DUCTWORK, THEY SHALL BE MOUNTED ON CHAINS OR UNISTRUT CHANNELS SUPPORTED FROM THE BUILDING STRUCTURE.
  3. DISCONNECT, REMOVE & MAKE GOOD EXISTING FEEDERS FOR EMA-1 & EMA-2. MATERIALS TO BE TURNED OVER TO OWNER.



MOTOR SCHEDULE			
DESIGNATION	HORSEPOWER	FEEDER	CIRCUIT BREAKER
P-1	7 1/2	3#12, 3/4" MC	20A, 3P
P-2	7 1/2	3#12, 3/4" MC	20A, 3P
MA-1	20	3#10, 3/4" MC	50A, 3P
MA-2	20	3#10, 3/4" MC	50A, 3P
EF-1	15	3#10, 3/4" MC	40A, 3P
EF-2	15	3#10, 3/4" MC	40A, 3P
EF-3	15	3#10, 3/4" MC	40A, 3P
EF-4	15	3#10, 3/4" MC	40A, 3P
EMA-1	15	3#10, 3/4" MC	40A, 3P
EMA-2	15	3#10, 3/4" MC	40A, 3P

**ELECTRICAL LAYOUT**  
1/8" = 1'-0"

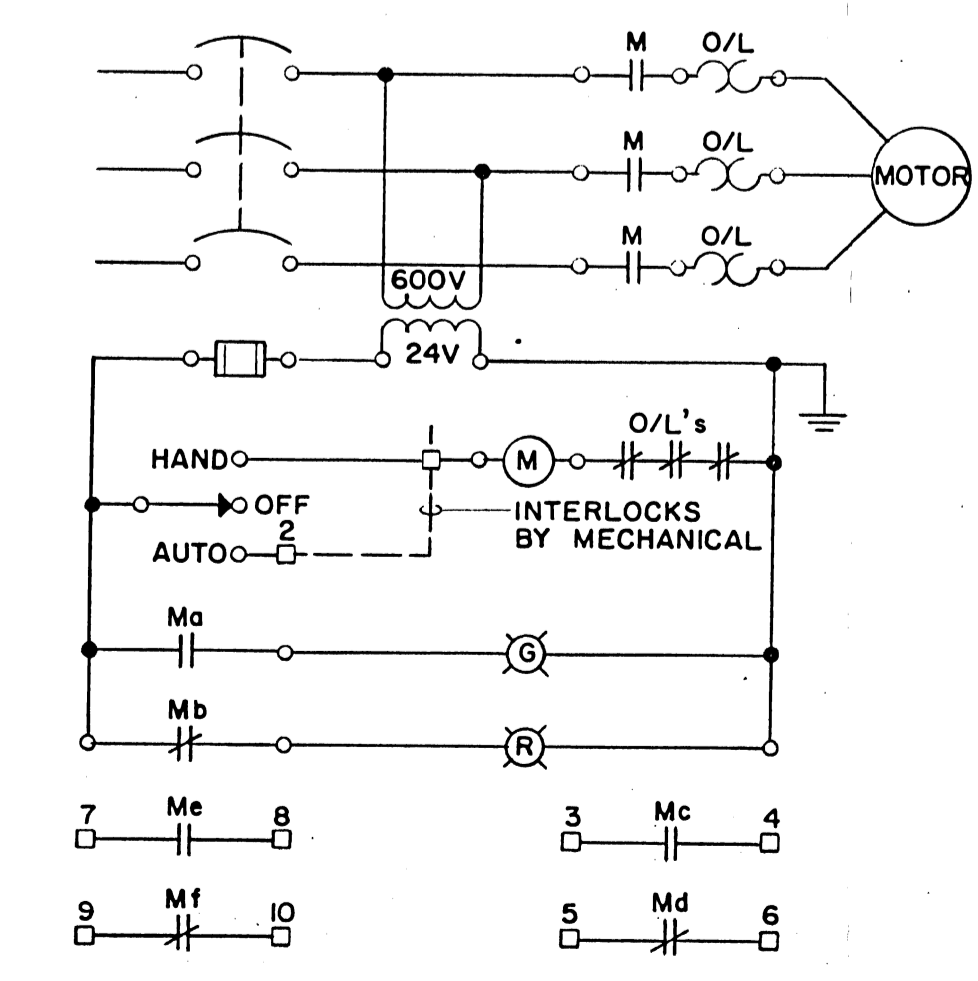


**ELECTRICAL ROOM LAYOUT**  
1/8" = 1'-0"

**MECHANICAL ROOM LAYOUT**  
1/8" = 1'-0"

P-1	P-2
EF-1	MA-1
EF-2	MA-2
EF-3	EMA-1
EF-4	EMA-2
SPACE	SPACE

**LAYOUT OF MCC "100" (FRONT VIEW)**  
1/2" = 1'-0"



**TYPICAL MOTOR STARTER SCHEMATIC**  
N.T.S.

APPROVED

*R. J. Faraci*  
DIRECTOR OF TRANSIT.

*[Signature]*  
DIRECTOR OF CIVIC PROPERTIES.

**PULSE ENGINEERING LTD.**  
ELECTRICAL CONSULTING ENGINEERS

No	Description	Date	By
Revisions (Read up!)			

**E. J. FARACI & ASSOCIATES LTD.**  
MECHANICAL CONSULTING ENGINEERS  
200 - 330 St. Mary Avenue, Winnipeg, Manitoba, Canada. R3C 3Z5

Project:  
**FORT ROUGE TRANSIT GARAGE DIESEL POLLUTANT EXHAUST SYSTEM**  
421 OSBORNE ST. WINNIPEG

Title:  
**ELECTRICAL LAYOUT & DETAILS**

Drawn By: A.L.	Date: 83/11/09	Sheet No.:
Checked By:	File No. 52371-L	<b>E-1</b>