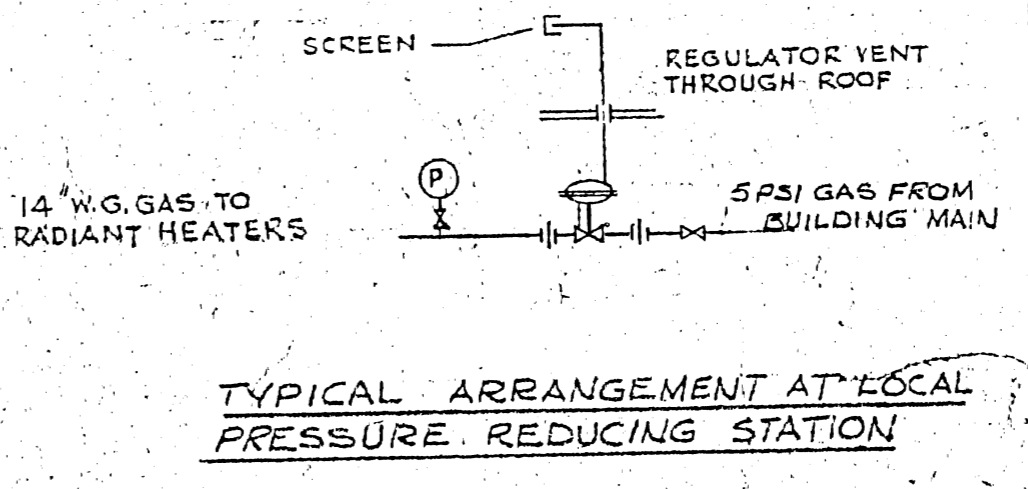
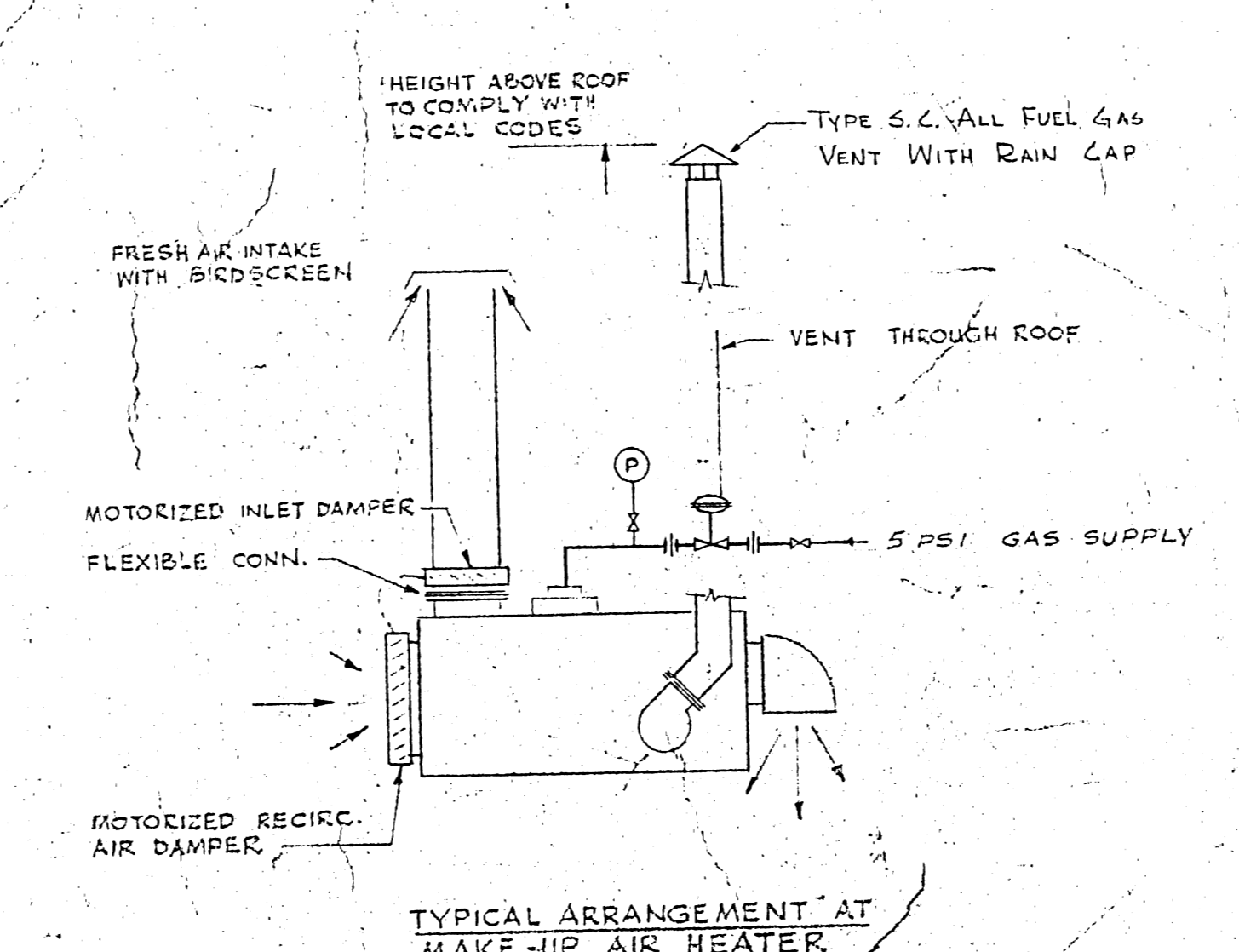


▲ NATURAL GAS SUPPLY FROM STREET MAIN
 68,614 CFH NAT. GAS (THIS IS FULL LOAD)
 ▲



B-14 FILE
 RETURN TO CIVIC PROPERTIES BUILDING INVENTORY.
 2 911

2185-616

DATE	ISSUE NO.	REV.	DESCRIPTION	DRAWN BY
14-11-69	5	1	AS BUILT	R.M.C.
31-9-69	7	2	TOTAL CONSUMPTION REVISED - OWNER'S EQUIP. & REQUIRMENTS	J.F.C.
18-9-68	6	4	REVISED AS PER NOTICE OF IMPROVED CHANGE NO. 33	J.F.C.
21/6/68	5	3	DIRECT FIRED UNITS CONSUMPTION REVISED AS PER SHOP DRAWING	J.F.C.
10/5/68	4	2	REVISED AS PER CHANGE ORDER NO. 13	D.A.
24/5/68	3	1	REVISED AS PER ADDENDA 1 TO S1 FOR CONSTRUCTION	J.F.C.
12/1/68	2	0	FOR TENDER	
20/6/67	1	0	FOR APPROVAL	

ISSUE OR REVISION			
METROPOLITAN CORPORATION OF GREATER WINNIPEG STREETS AND TRANSIT DIVISION			
TRANSIT STORAGE AND SHOP FACILITIES			
HEATING & VENTILATING SCHEMATIC GAS PIPING			
CONSULTING PROFESSIONAL ENGINEERS A. D. MARGISON AND ASSOCIATES LIMITED. 1050 LESLIE STREET, DON MILLS, ONTARIO		ARCHITECTS Weisman Ross + Blankstein Coop Gillmor Hanna 1050 LESLIE STREET, DON MILLS, ONTARIO	
APPROVED BY: [Signature]	CHECKED BY: [Signature]	DATE: AUGUST '67	SCALE: NOT TO SCALE
LICENSED TO PRACTICE IN THE PROVINCE OF MANITOBA My License Expires 12/31/1971		FILE NO. 2185-616	DRAWING NO. MECHANICAL