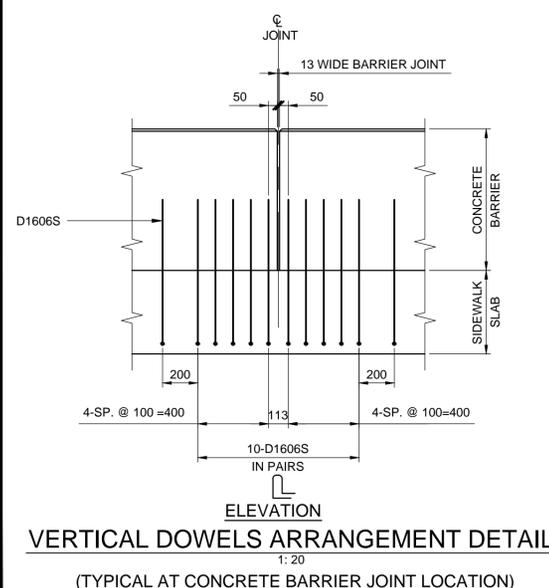
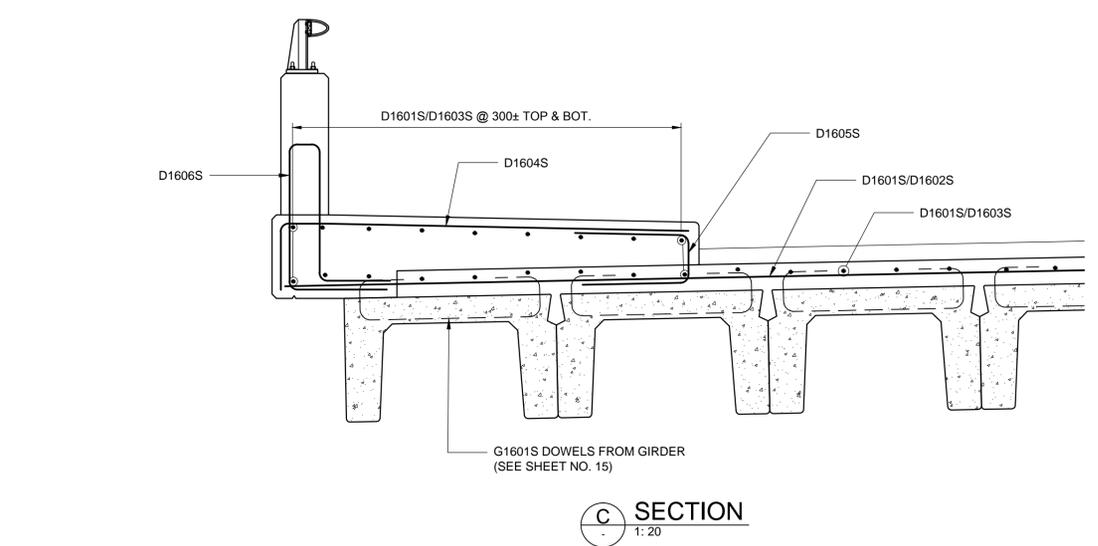


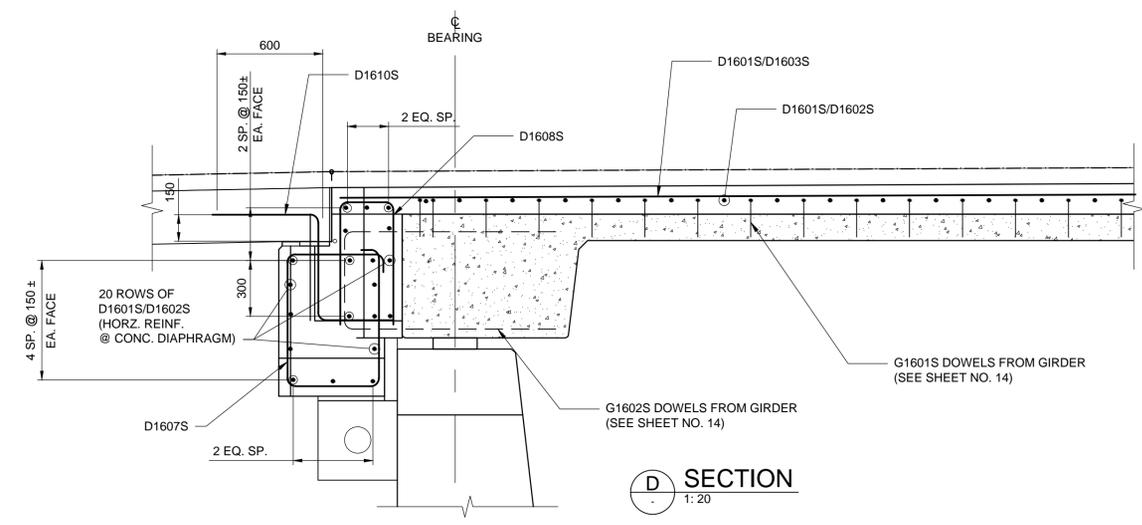
DECK REINFORCING
1:75
NOTE: MAINTAIN STAGGERED SPLICING THROUGHOUT REBAR INSTALLATION



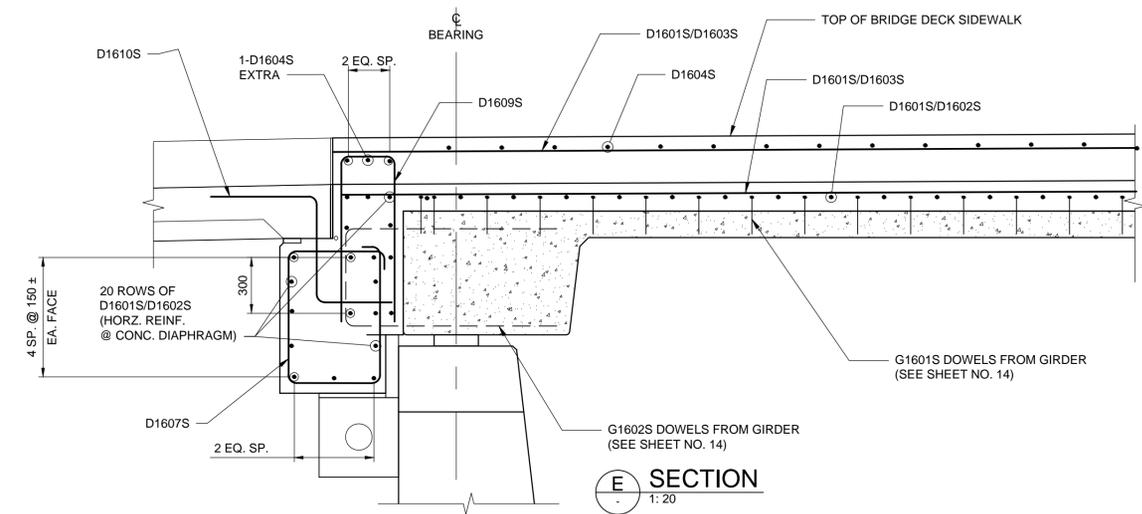
VERTICAL DOWELS ARRANGEMENT DETAIL
1:20
(TYPICAL AT CONCRETE BARRIER JOINT LOCATION)



C SECTION
1:20



D SECTION
1:20



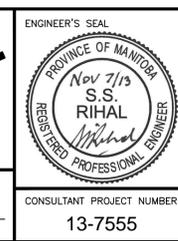
E SECTION
1:20

METRIC
WHOLE NUMBERS INDICATE MILLIMETRES
DECIMALIZED NUMBERS INDICATE METRES

C:\CAD\137555\09-Structural\01-Contract\137555-09-DECK-SLAB-2 OF 2-CON.dwg



B.M. ELEV.	DESIGNED BY	SSR
	DRAWN BY	NBG
	CHECKED BY	CDW
	APPROVED BY	MBL
	HOR. SCALE	AS SHOWN
	VERTICAL SCALE	AS SHOWN
0 ISSUED FOR TENDER	DATE	13/11/07
NO. REVISIONS	DATE	BY



THE CITY OF WINNIPEG
PUBLIC WORKS DEPARTMENT

RECONSTRUCTION OF THE ST. JAMES STREET BRIDGE OVER OMAND'S CREEK

CITY DRAWING NUMBER: B126-13- 17
SHEET 17 OF 26
CONSULTANT DRAWING NUMBER

DECK SLAB AND SIDEWALKS 2 OF 2

CONSULTANT PROJECT NUMBER: 13-7555