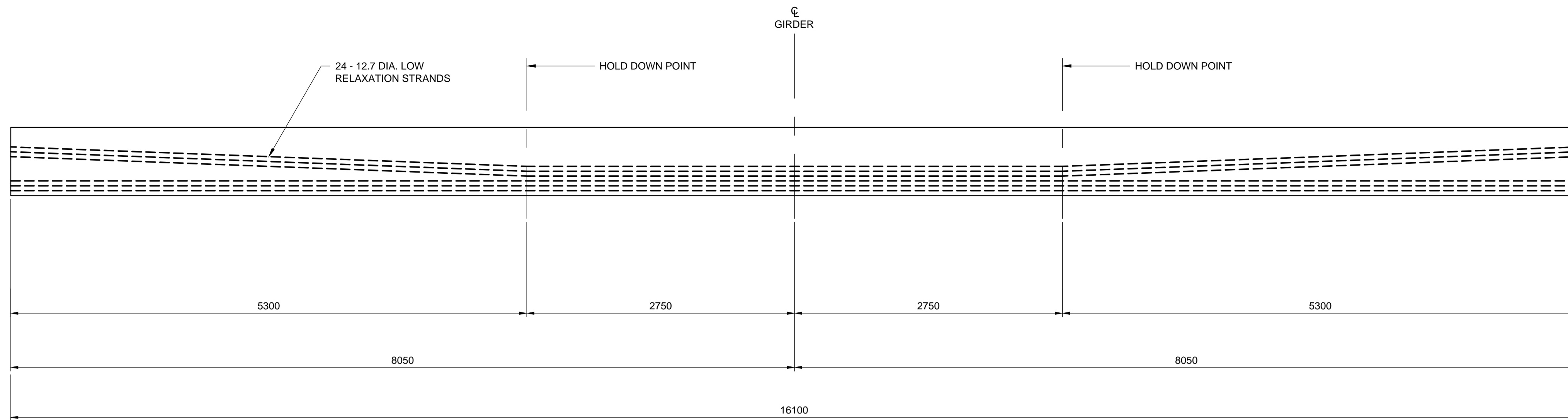


NOTES:

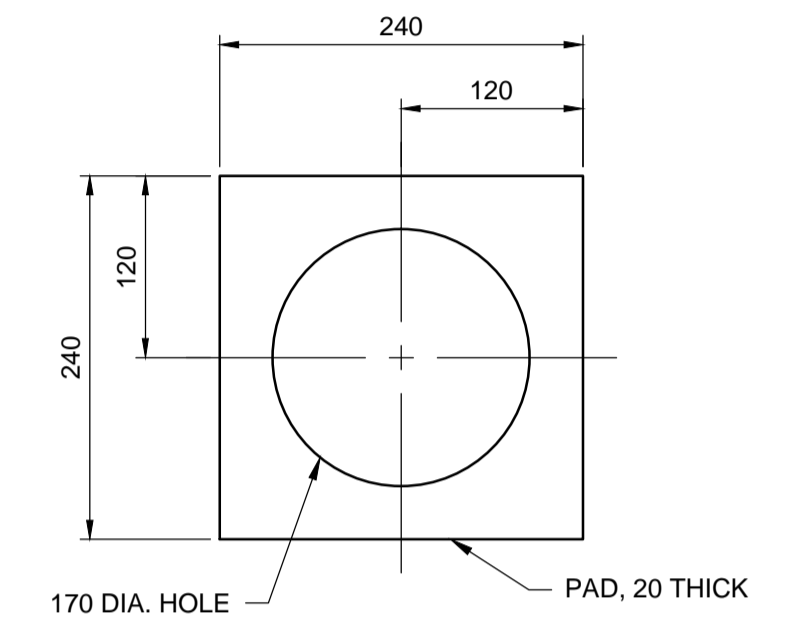
DESIGN IS IN ACCORDANCE WITH CSA S6-06 PLUS INTERIMS

- LIVE LOAD:
CL625 TRUCK AND LANE LOAD
- THE CONCRETE SHALL HAVE A MIN. COMPRESSIVE STRENGTH AS FOLLOWS:
A) AT TIME OF DESTRESSING $f_{ci} = 35 \text{ MPa}$
B) AT 28 DAYS $f_c = 45 \text{ MPa}$
- THE PRESTRESSING STEEL SHALL CONSIST OF THE FOLLOWING:
- 12.7 mm DIA. LOW RELAXATION (L.R.), SEVEN WIRE, UNCOATED STEEL STRAND
- MINIMUM ULTIMATE STRENGTH, $f_{pu} = 1860 \text{ MPA}$
- JACKING FORCE PER STRAND = 137.7 KN
- GIRDER DIMENSIONAL TOLERANCE = LENGTH $\pm 5 \text{ mm}$, CROSS SECTION $\pm 2 \text{ mm}$.



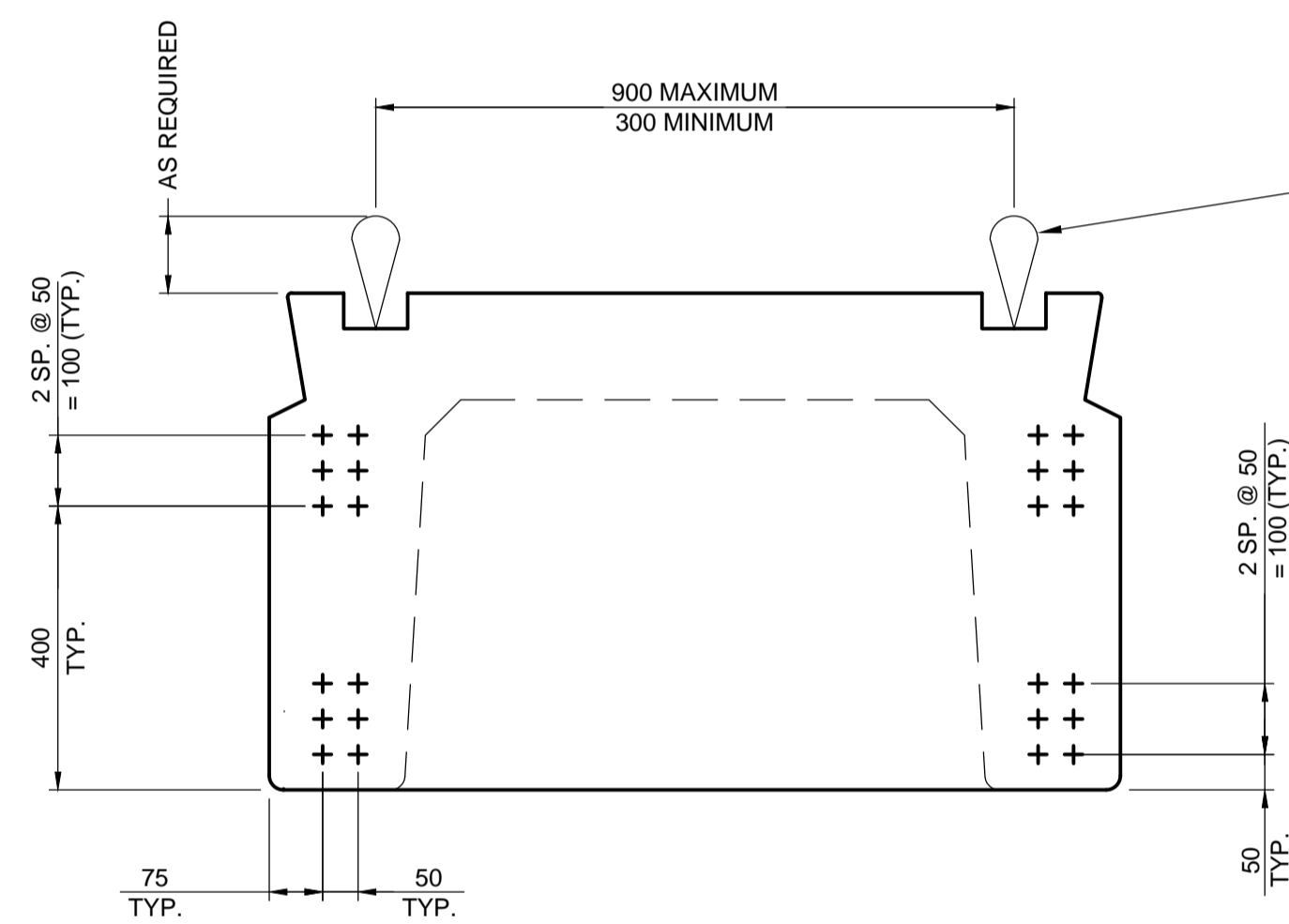
ELEVATION - PRESTRESSING STRANDS

1:30
SHOWING 24 - 12.7 DIA. LOW RELAXATION STRANDS. TYPICAL FOR ALL GIRDERS



FOAM RUBBER PAD DETAIL

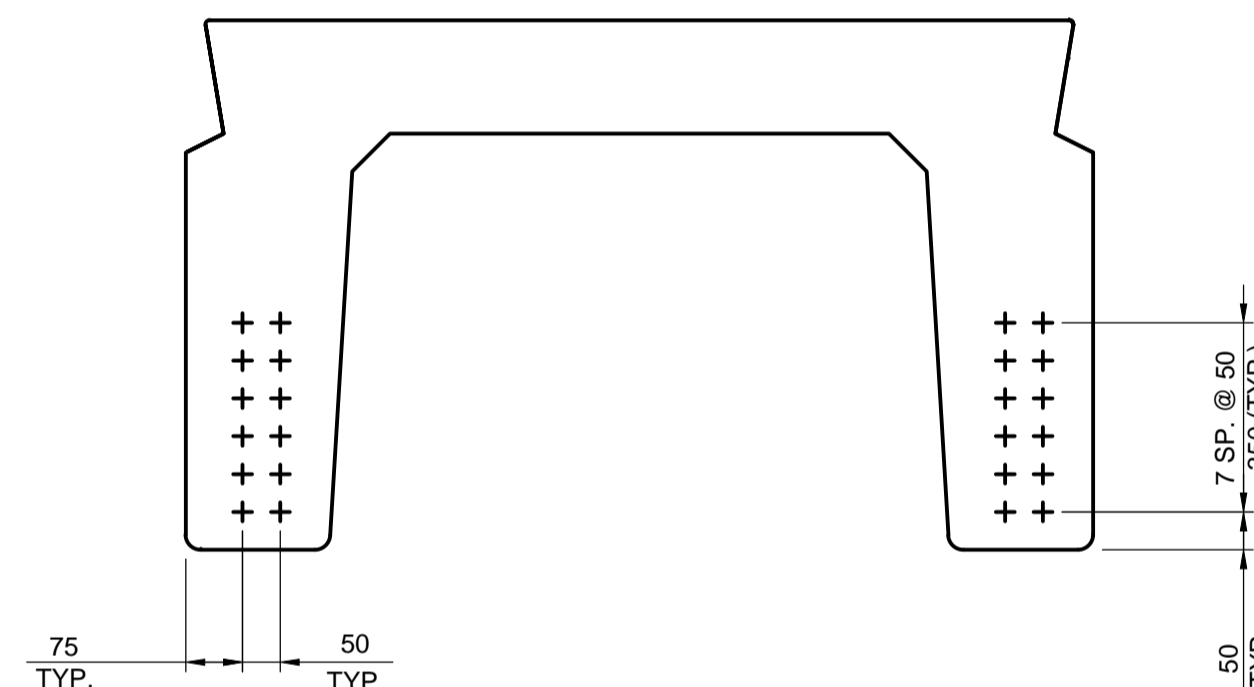
1:5



END ELEVATION

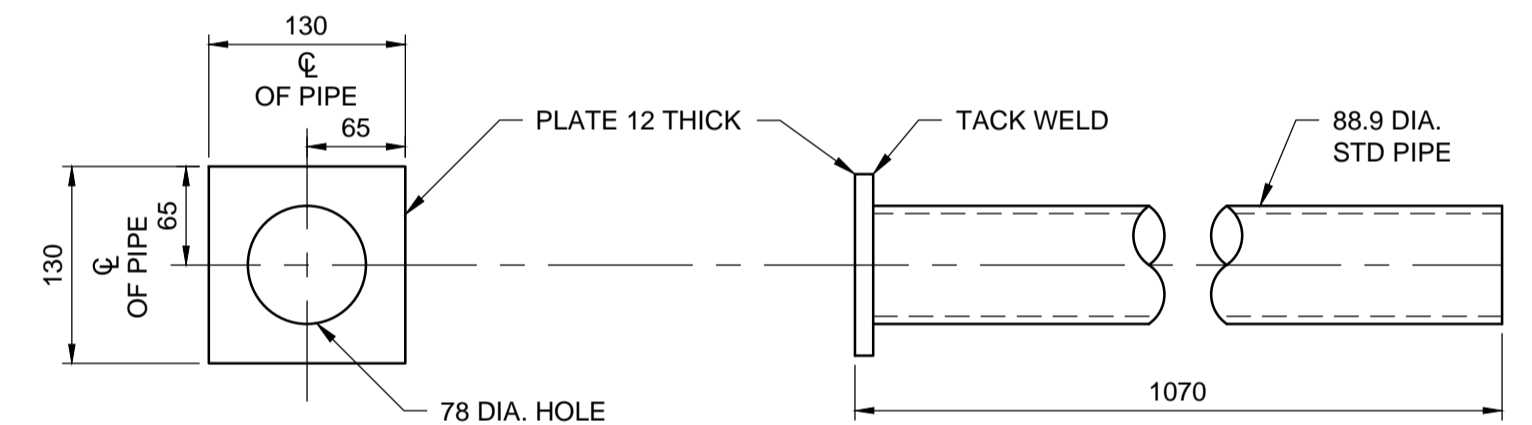
1:10
SHOWING LAYOUT AT ENDS OF GIRDER

THE GIRDER FABRICATOR SHALL BE RESPONSIBLE FOR ALL DESIGN, SUPPLY AND INSTALLATION OF ADEQUATE LIFTING DEVICES C/W 50 DEEP POCKETS. GENERAL CONTRACTOR SHALL CUT OFF MINIMUM 25 mm BELOW TOP SURFACE AND GROUT AFTER INSTALLATION.



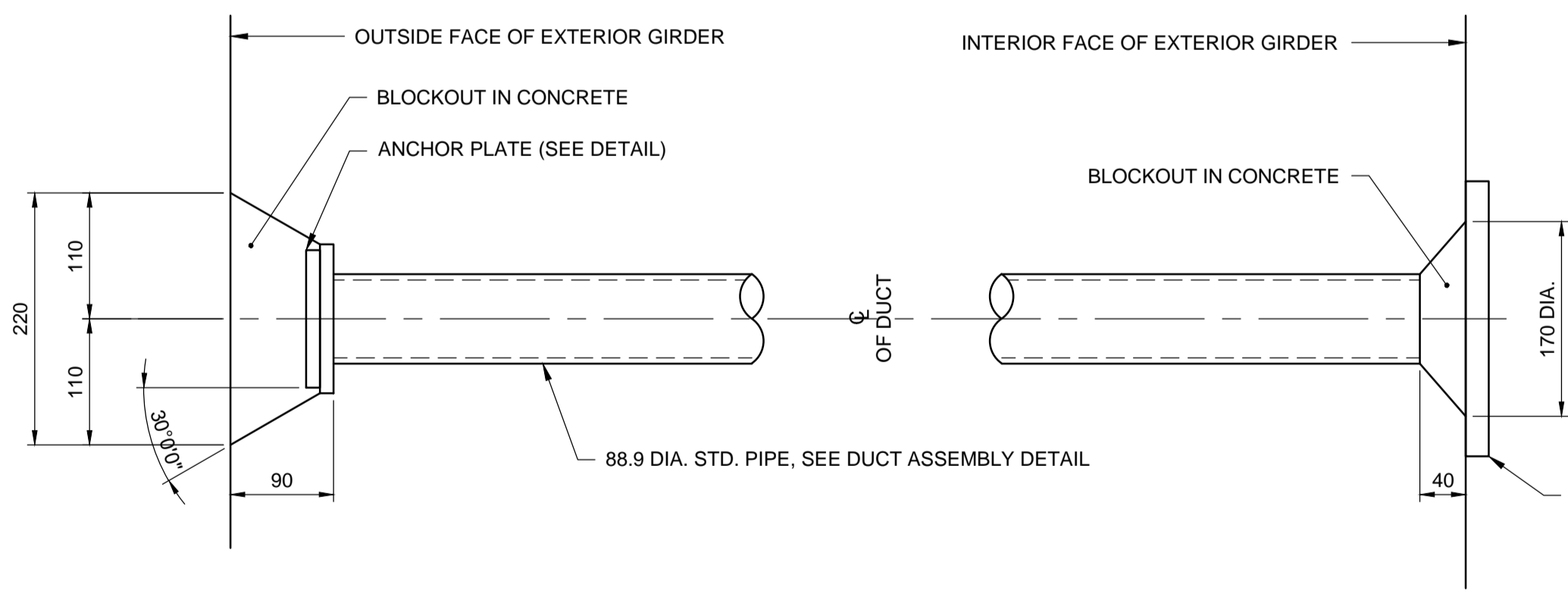
SECTION

1:10
SHOWING LAYOUT AT MID-SPAN OF GIRDER



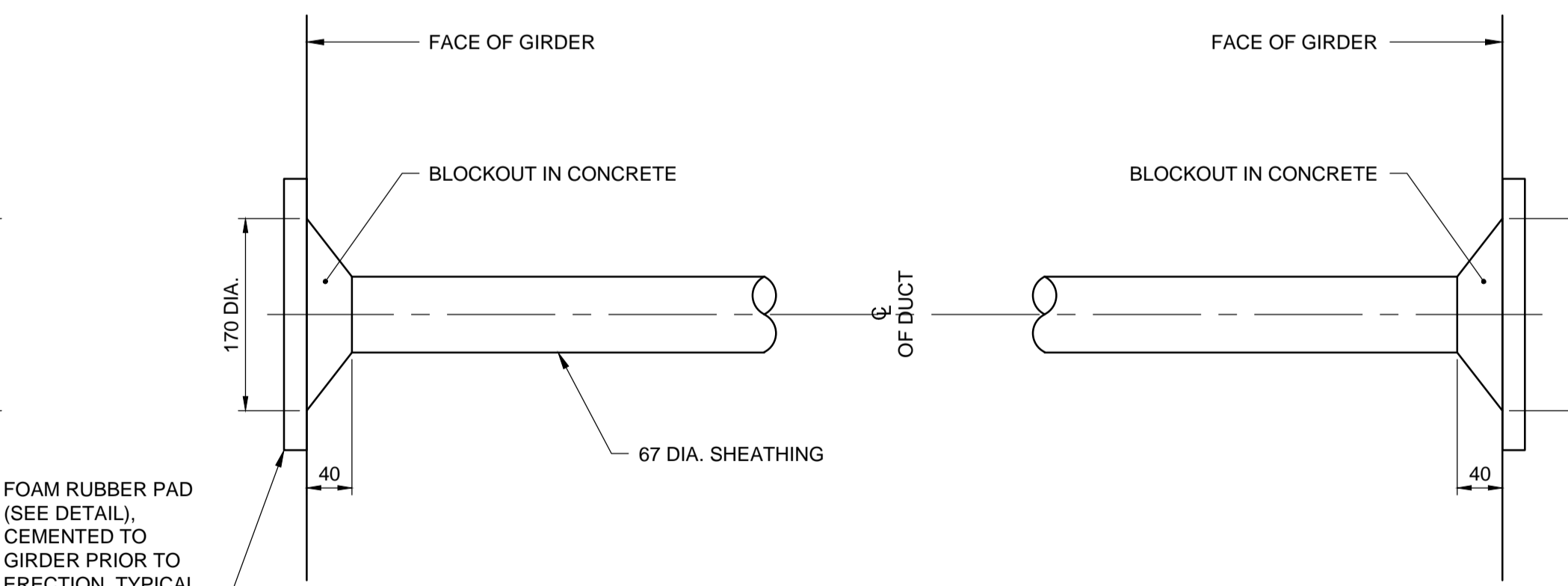
DUCT ASSEMBLY DETAIL

1:5



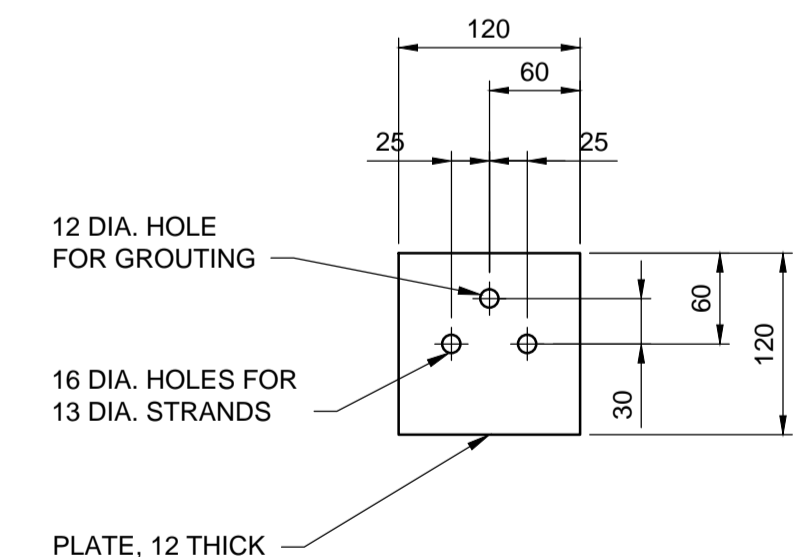
EXTERIOR LATERAL STRESSING DUCT DETAILS

1:5



INTERIOR LATERAL STRESSING DUCT DETAILS

1:5



ANCHOR PLATE DETAIL

1:5

METRIC

WHOLE NUMBERS INDICATE MILLIMETRES
DECIMALIZED NUMBERS INDICATE METRES

G:\CAD\137555\09-Structural\01-Contract\137555-09-GIRDER-3 OF 5-CON.dwg



B.M. ELEV.	DESIGNED BY	CDW
	DRAWN BY	CGC
	CHECKED BY	SSR
	APPROVED BY	MBL
	HOR. SCALE	AS SHOWN
	VERTICAL SCALE	AS SHOWN
0 ISSUED FOR TENDER	13/11/07	SSR
NO. REVISIONS	DATE	BY
	13/11/07	

DILLON CONSULTING

RELEASED FOR CONSTRUCTION

DATE

ENGINEER'S SEAL

PROVINCE OF MANITOBA

Nov 7/13

C.D. WARD

Member 24456

REGISTERED PROFESSIONAL ENGINEER

CONSULTANT PROJECT NUMBER

13-7555

THE CITY OF WINNIPEG
PUBLIC WORKS DEPARTMENT

RECONSTRUCTION OF THE ST. JAMES STREET BRIDGE OVER OMAND'S CREEK

GIRDERS 3 OF 5

CITY DRAWING NUMBER
B126-13-13

SHEET 13 OF 26

CONSULTANT DRAWING NUMBER