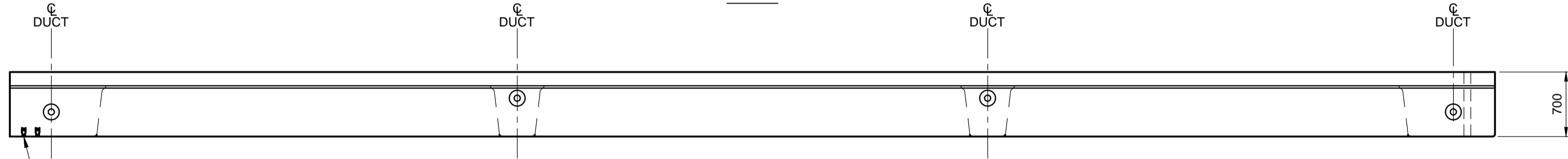


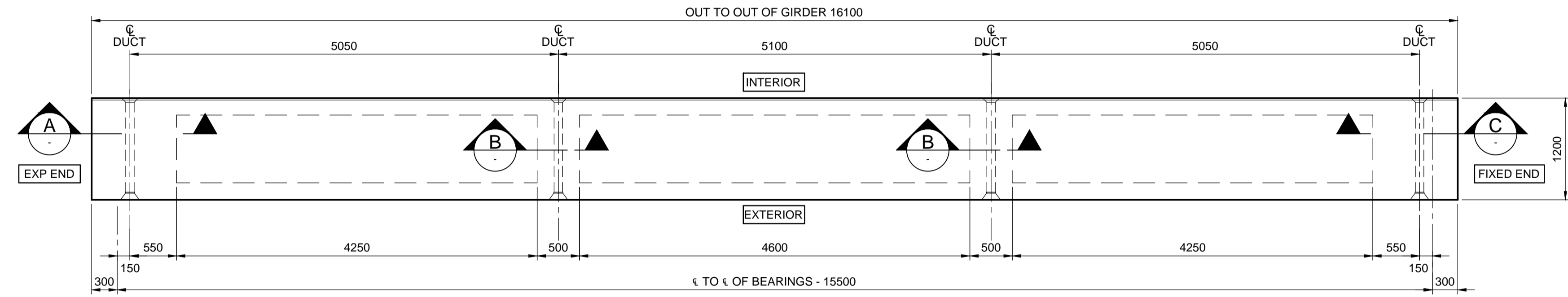
PLAN



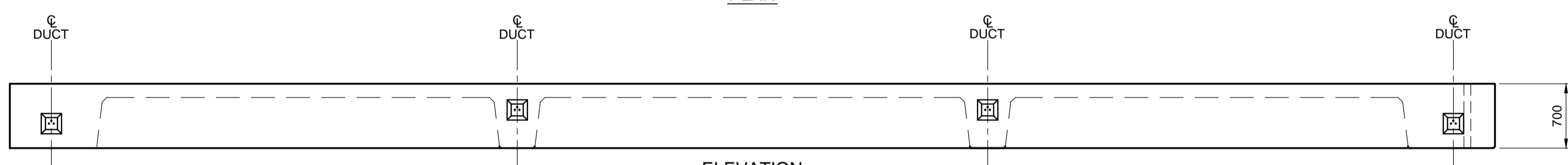
ELEVATION

**INTERIOR GIRDER**  
1:40

DAYTON SUPERIOR STRUCTURAL INSERTS, F-57 FOR STEEL RETAINING ANGLES AT EXPANSION END OF 2 - GIRDERS MK. G2 ONLY, REFER TO GIRDER LAYOUT ON SHEET 11 AND DETAILS ON THIS SHEET.



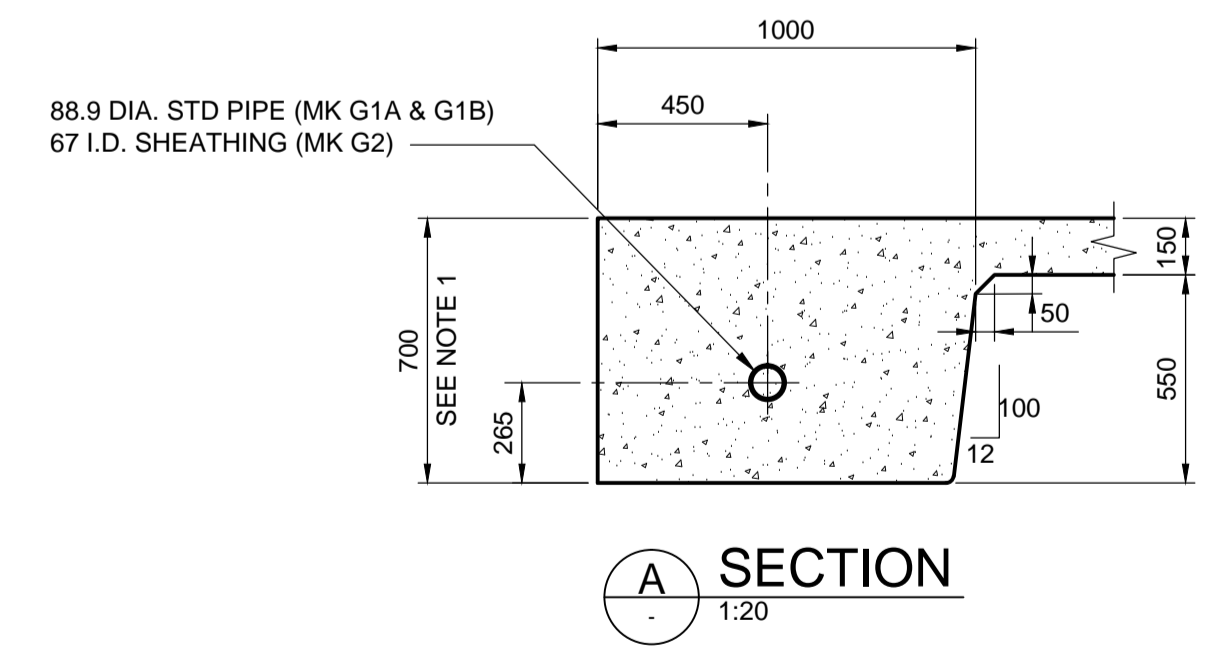
PLAN



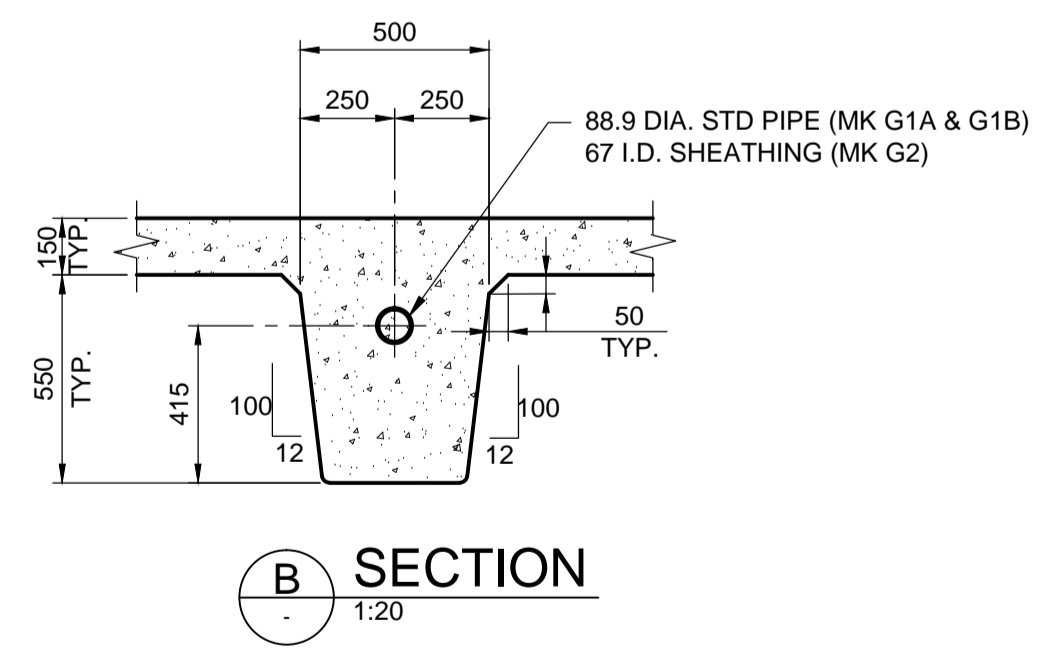
ELEVATION

**EXTERIOR GIRDER**  
1:40

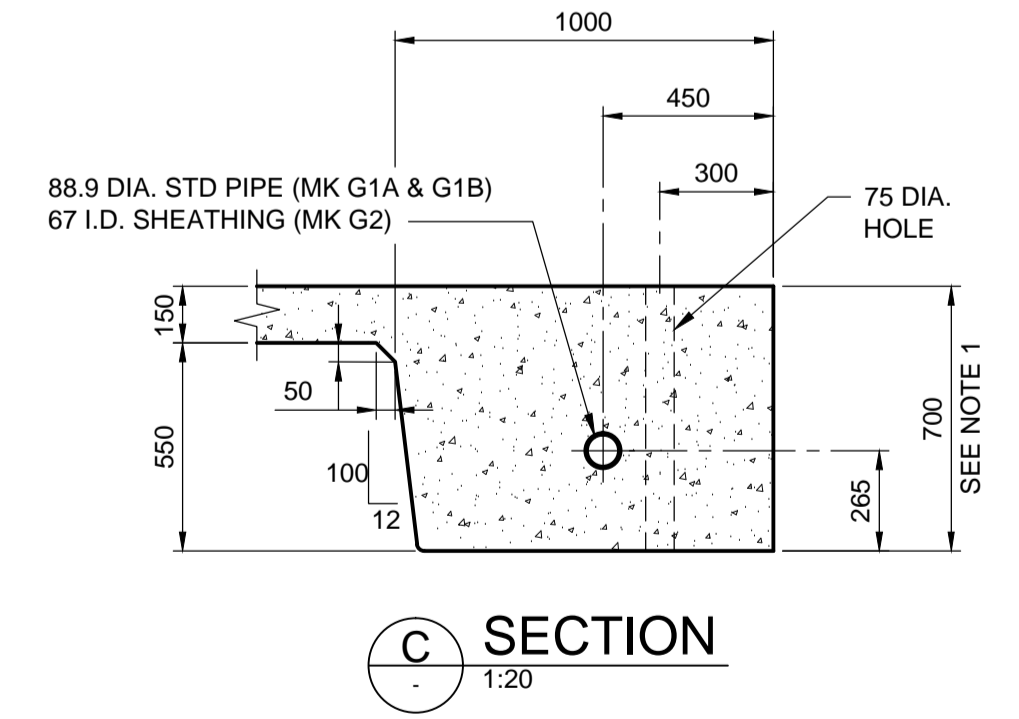
GIRDER MK. G1B SHOWN  
GIRDER MK G1A SIMILAR OPPOSITE HAND



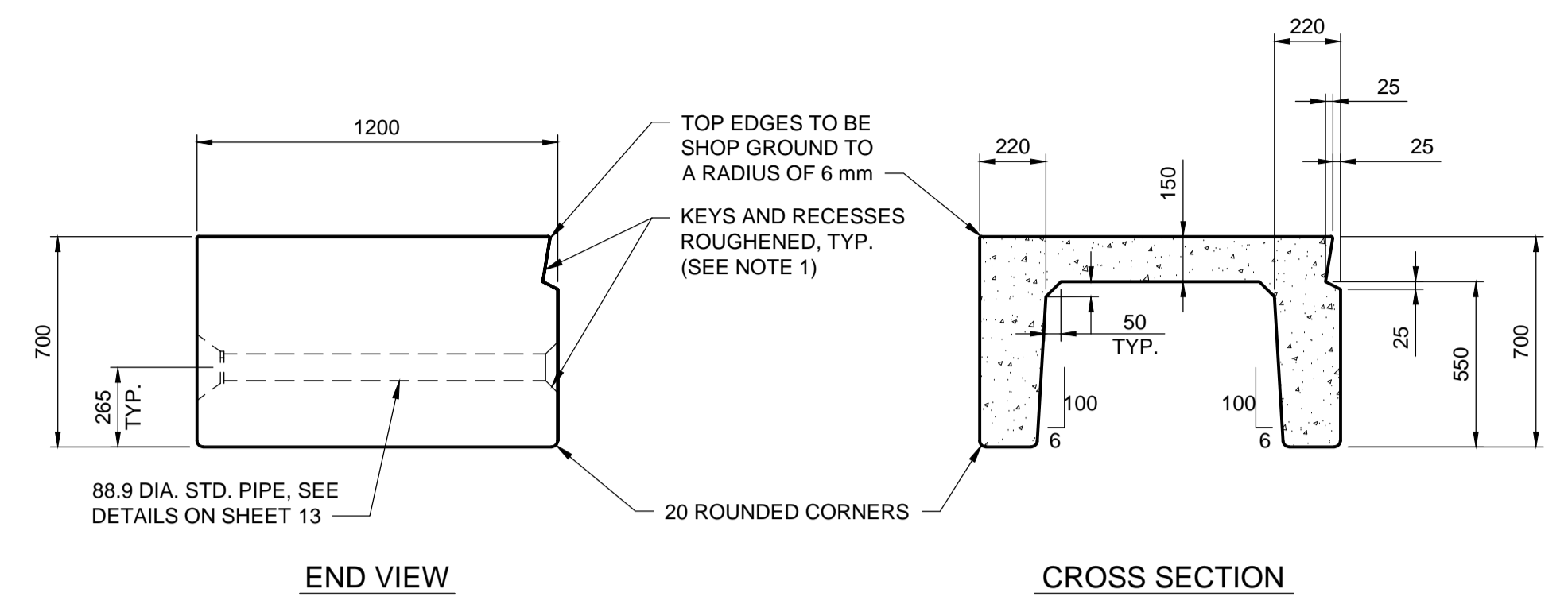
**A SECTION**  
1:20



**B SECTION**  
1:20



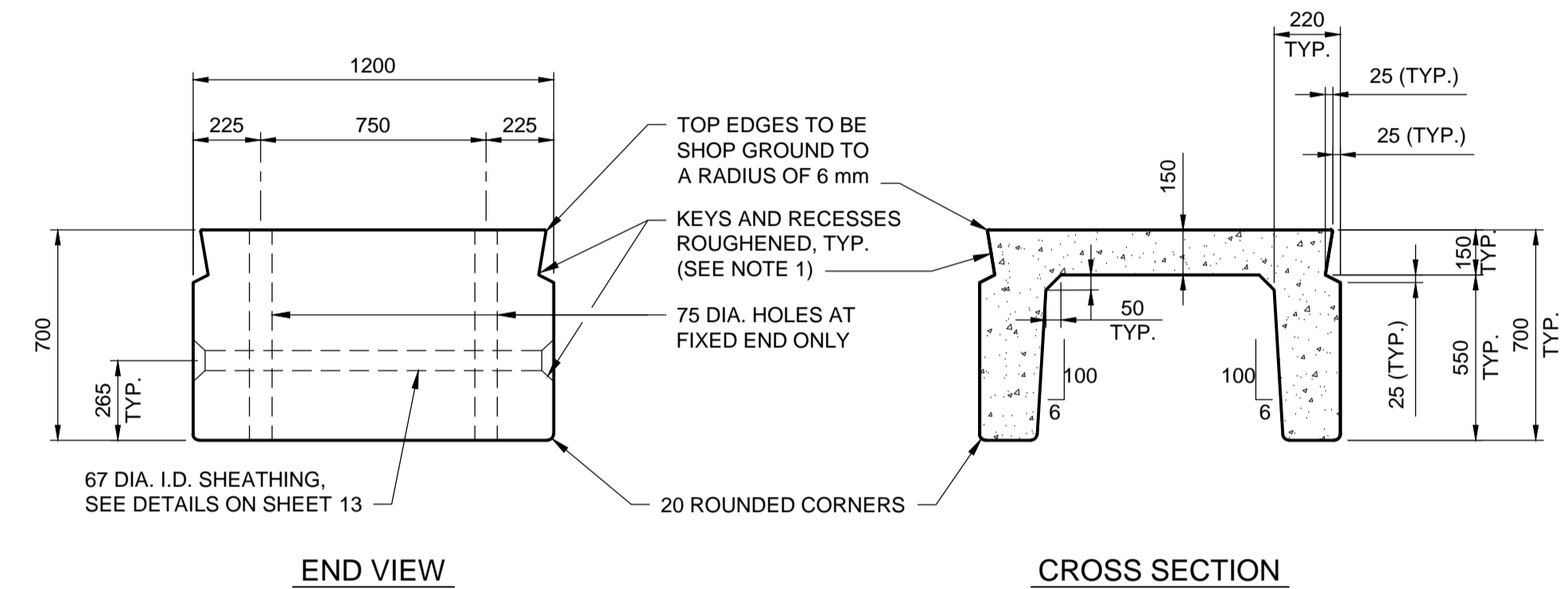
**C SECTION**  
1:20



END VIEW

CROSS SECTION

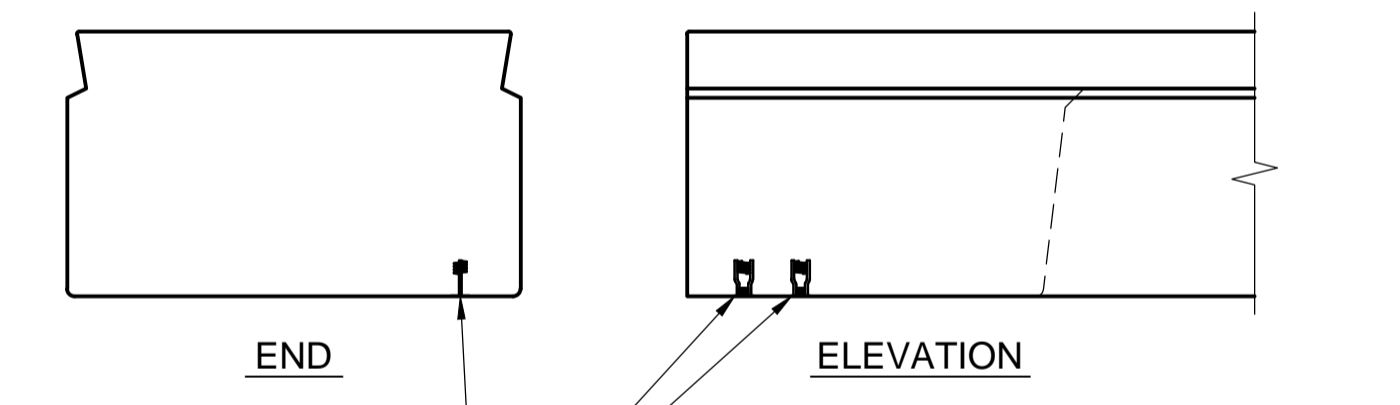
**DETAILS OF EXTERIOR GIRDERS**  
1:20



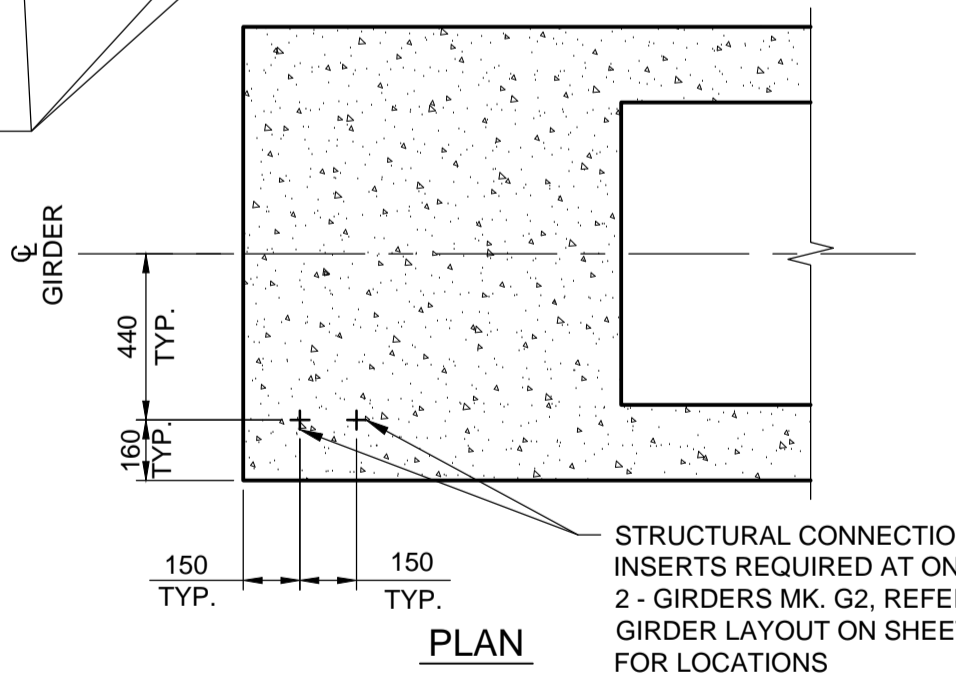
END VIEW

CROSS SECTION

**DETAILS OF INTERIOR GIRDERS**  
1:20



STRUCTURAL CONNECTION INSERTS REQUIRED AT ONLY 2 - GIRDERS MK. G2, REFER GIRDER LAYOUT ON SHEET 11 FOR LOCATIONS



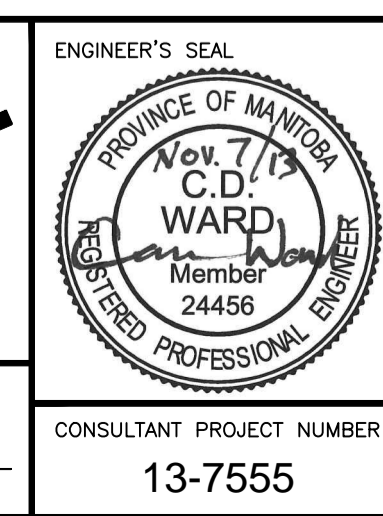
STRUCTURAL CONNECTION INSERTS REQUIRED AT ONLY 2 - GIRDERS MK. G2, REFER GIRDER LAYOUT ON SHEET 11 FOR LOCATIONS

**INSERT DETAILS FOR RETAINING ANGLE**  
1:20

**NOTES:**  
1. ROUGHEN SURFACES INDICATED WITH FORM RETARDER.



B.M. ELEV.	DESIGNED BY	CDW
	DRAWN BY	CGC
	CHECKED BY	SSR
	APPROVED BY	MBL
	HOR. SCALE	AS SHOWN
	VERTICAL	AS SHOWN
0	ISSUED FOR TENDER	13/11/07
NO.	REVISIONS	DATE BY DATE



**THE CITY OF WINNIPEG**  
PUBLIC WORKS DEPARTMENT

RECONSTRUCTION OF THE ST. JAMES STREET BRIDGE OVER OMAND'S CREEK

GIRDERS 2 OF 5

CITY DRAWING NUMBER: B126-13-12  
SHEET 12 OF 26  
CONSULTANT DRAWING NUMBER

CONSULTANT PROJECT NUMBER: 13-7555

**METRIC**  
WHOLE NUMBERS INDICATE MILLIMETRES  
DECIMALIZED NUMBERS INDICATE METRES

G:\CAD\137555\09-Structural\01-Contract\137555-09-girder-2\_of\_5-con.dwg