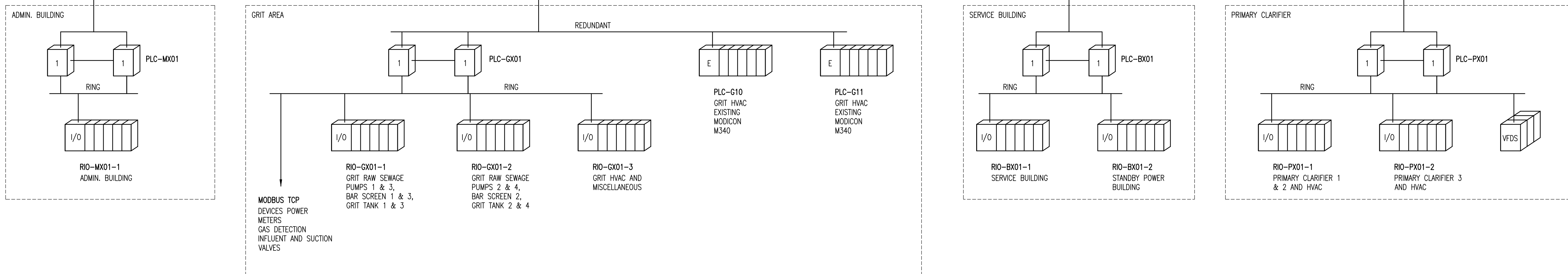


A1 SIZE - 594mm x 841mm  
 LAST SAVE: 2013/10/30 - 1:18pm  
 PATH: M:\612620\0004\ENGIN\4ENGIN\DD - General DWG\SK-A0003.dwg

FIBER PROCESS CONTROL NETWORK REDUNDANT RING

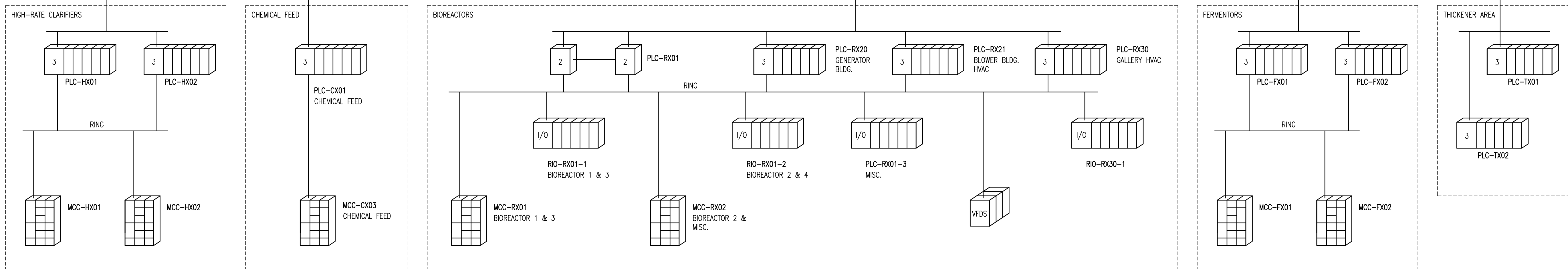
PROCESS CONTROL NETWORK

CONT'D BELOW



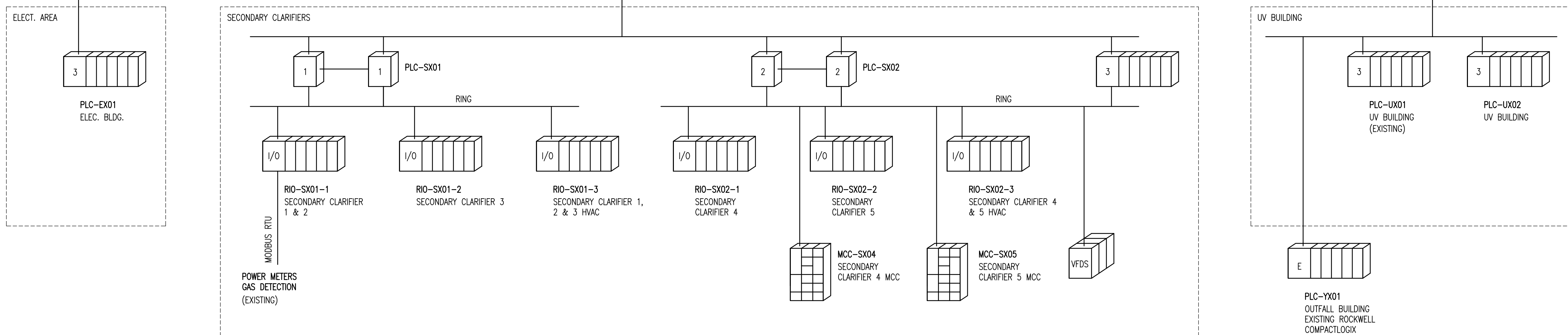
CONT'D ABOVE

CONT'D BELOW



CONT'D ABOVE

CONT'D TOP LEFT



LEGEND:

- 1 PROGRAMMABLE CONTROLLER AS PER SYSTEM 1
- 2 PROGRAMMABLE CONTROLLER AS PER SYSTEM 2
- 3 PROGRAMMABLE CONTROLLER AS PER SYSTEM 3
- E EXISTING PROGRAMMABLE CONTROLLER
- I/O REMOTE INPUT/OUTPUT

NOTES:

- 1 THE INDICATED ARCHITECTURE IS REPRESENTATIVE OF A TYPICAL FACILITY ONLY AND SHOULD NOT BE CONSTRUED AS BEING COMPREHENSIVE. DO NOT UTILIZE ANY QUANTITIES FROM THIS DRAWING.
- 2 NETWORK REDUNDANCY NOT SHOWN FOR SIMPLICITY.
- 3 INSTRUMENTATION FIELDBUS NOT SHOWN.



NO.	REVISIONS	DATE	DESIGN	CHECK
00	ISSUED FOR TENDER	2013/10/30	CJR	BJC

**SNC-LAVALIN INC.**  
 148 Nature Park Way  
 Winnipeg, MB, Canada R3P 0X7  
 204-786-8080

DESIGNED BY: C. REIMER  
 DRAWN BY: M.J. PERSSON  
 SCALE: NTS  
 DATE: 2013/09/23

CHECKED BY: B. CLEVEN  
 APPROVED BY: C. REIMER  
 RELEASED FOR CONSTRUCTION BY:  
 DATE:

CONSULTANT NO.: 612620-0004-4800-0003

ENGINEER'S SEAL

**PRELIMINARY**  
 NOT TO BE USED FOR CONSTRUCTION

**THE CITY OF WINNIPEG**  
 WATER AND WASTE DEPARTMENT

WASTEWATER TREATMENT SYSTEM  
 CONTROL SYSTEM ARCHITECTURE  
 TYPICAL FACILITY

CITY DRAWING NUMBER: SK-A0003  
 SHEET: 001  
 REV: 00  
 SIZE: A1