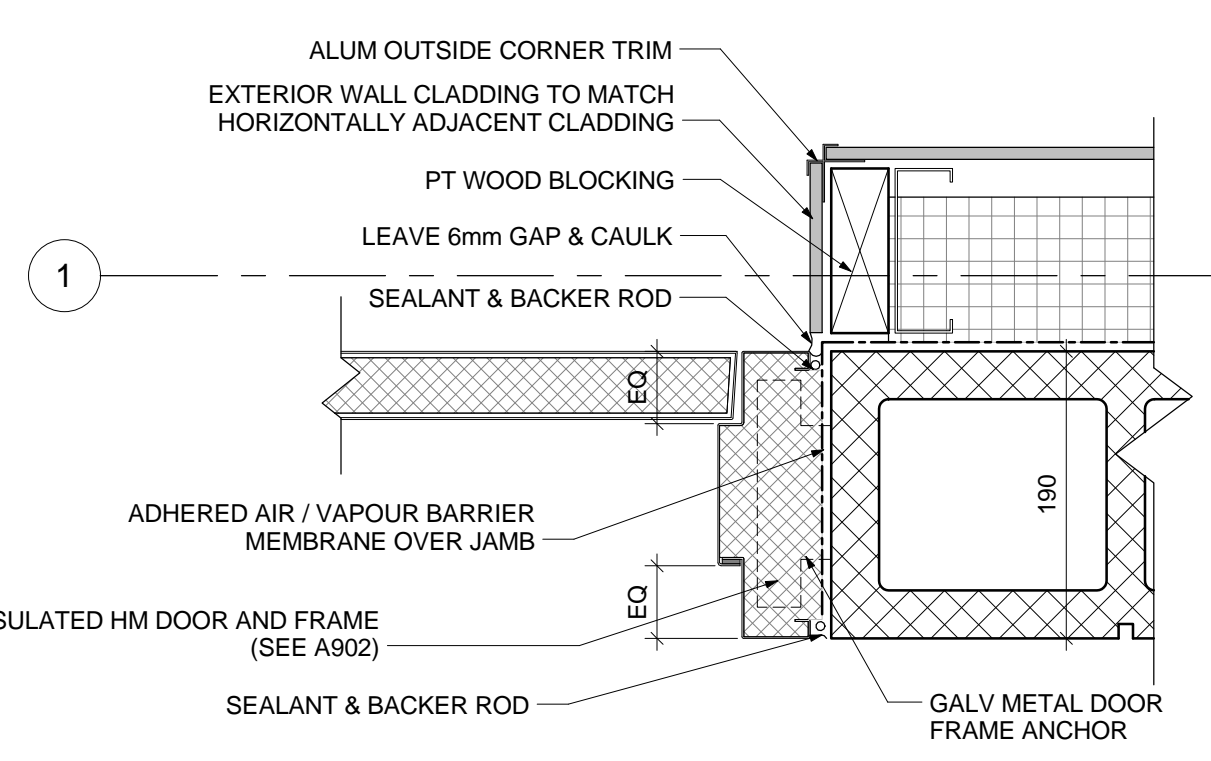
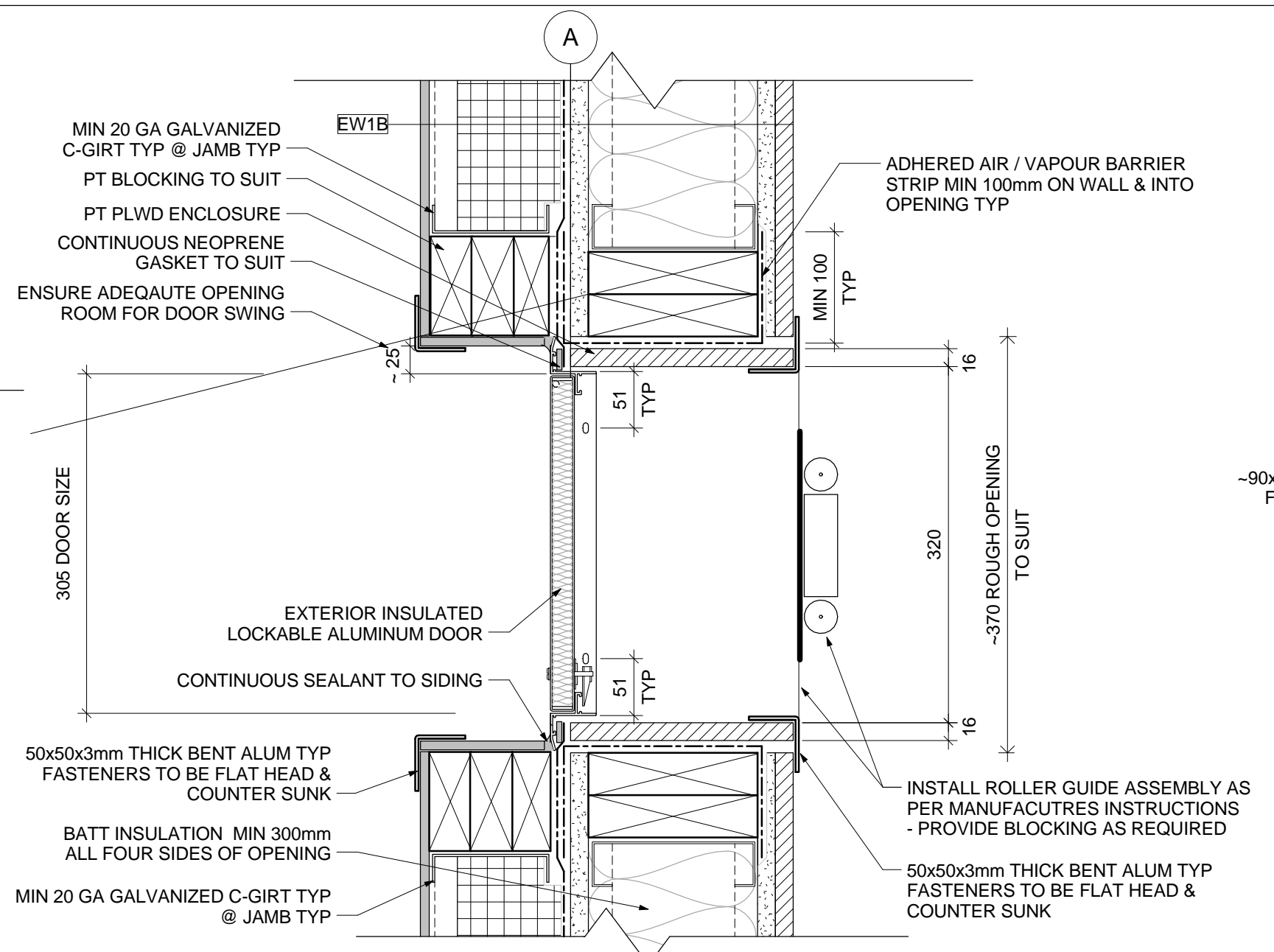


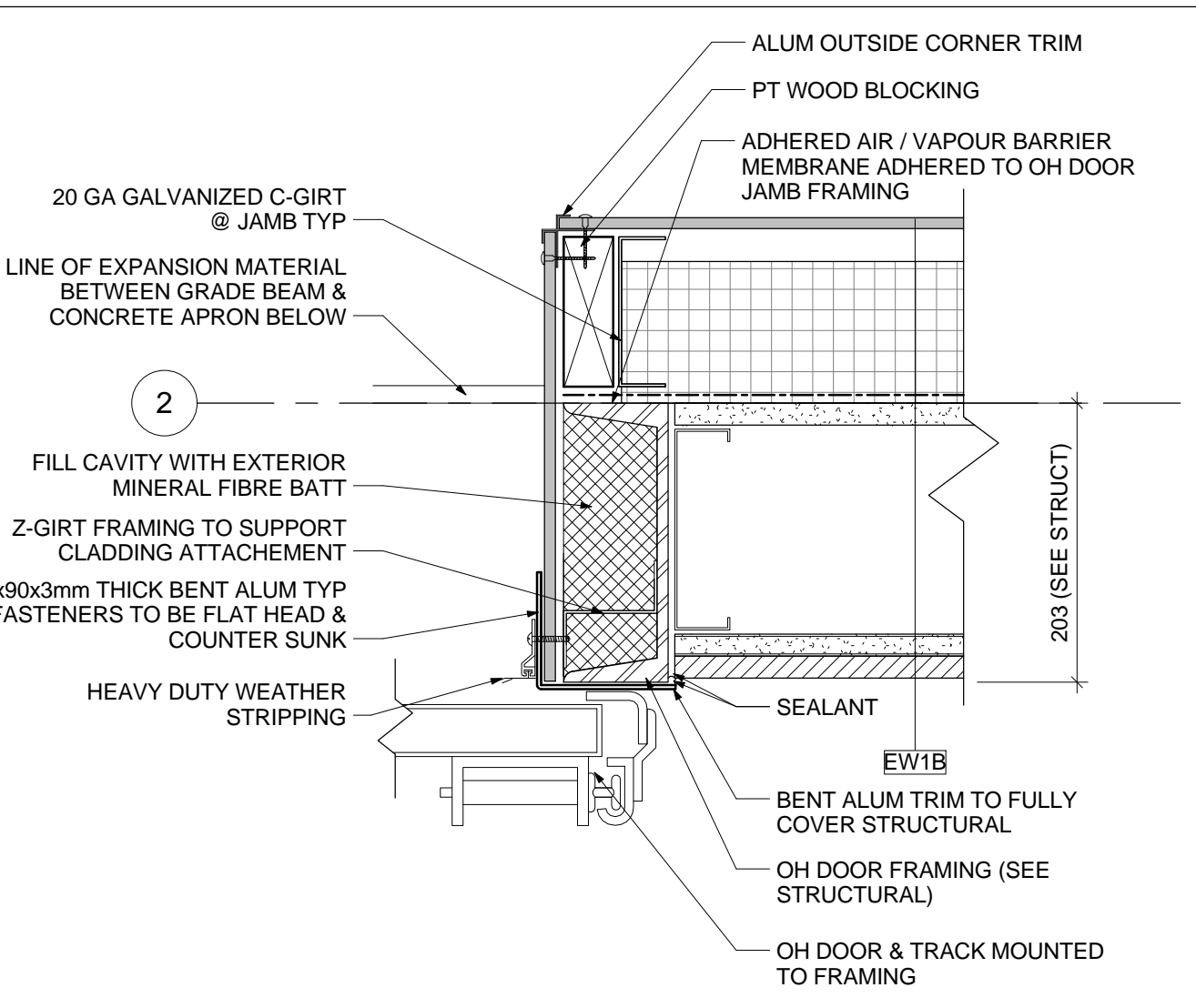
1 DOOR JAMB @ STEEL STUD INFILL
1:5



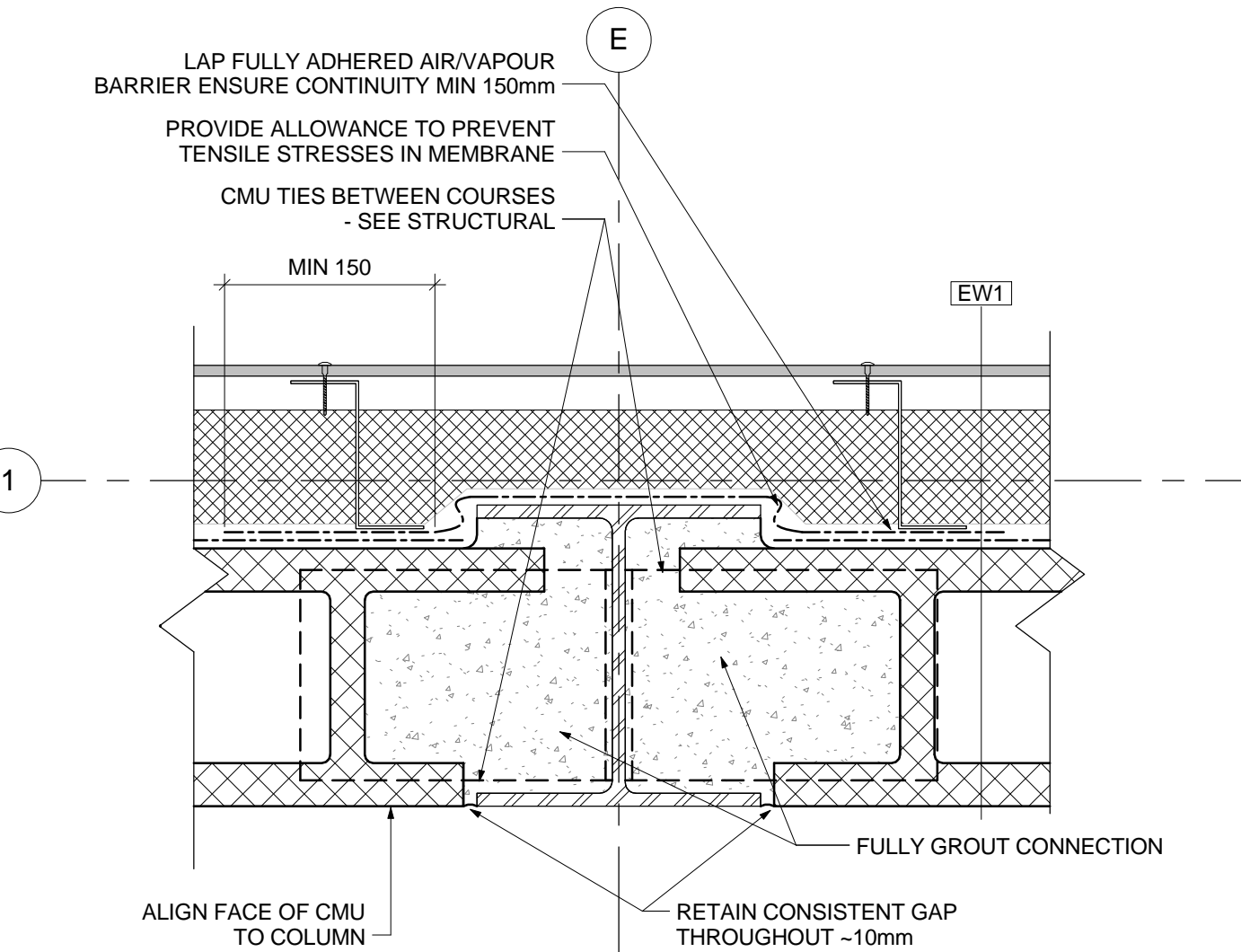
2 DOOR JAMB @ BLOCK INFILL
1:5



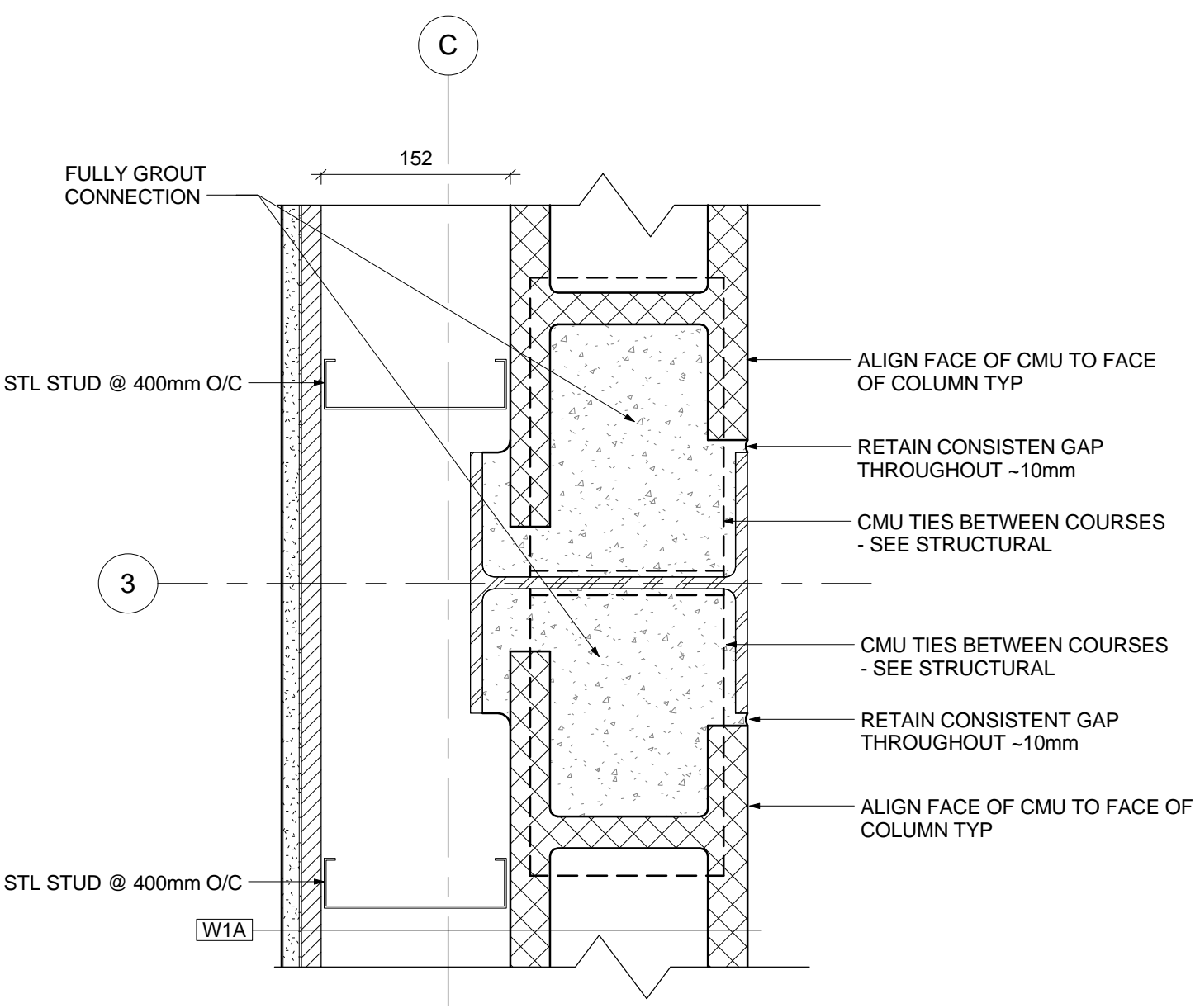
4 PLAN DETAIL - HOSE ACCESS DOOR
1:5



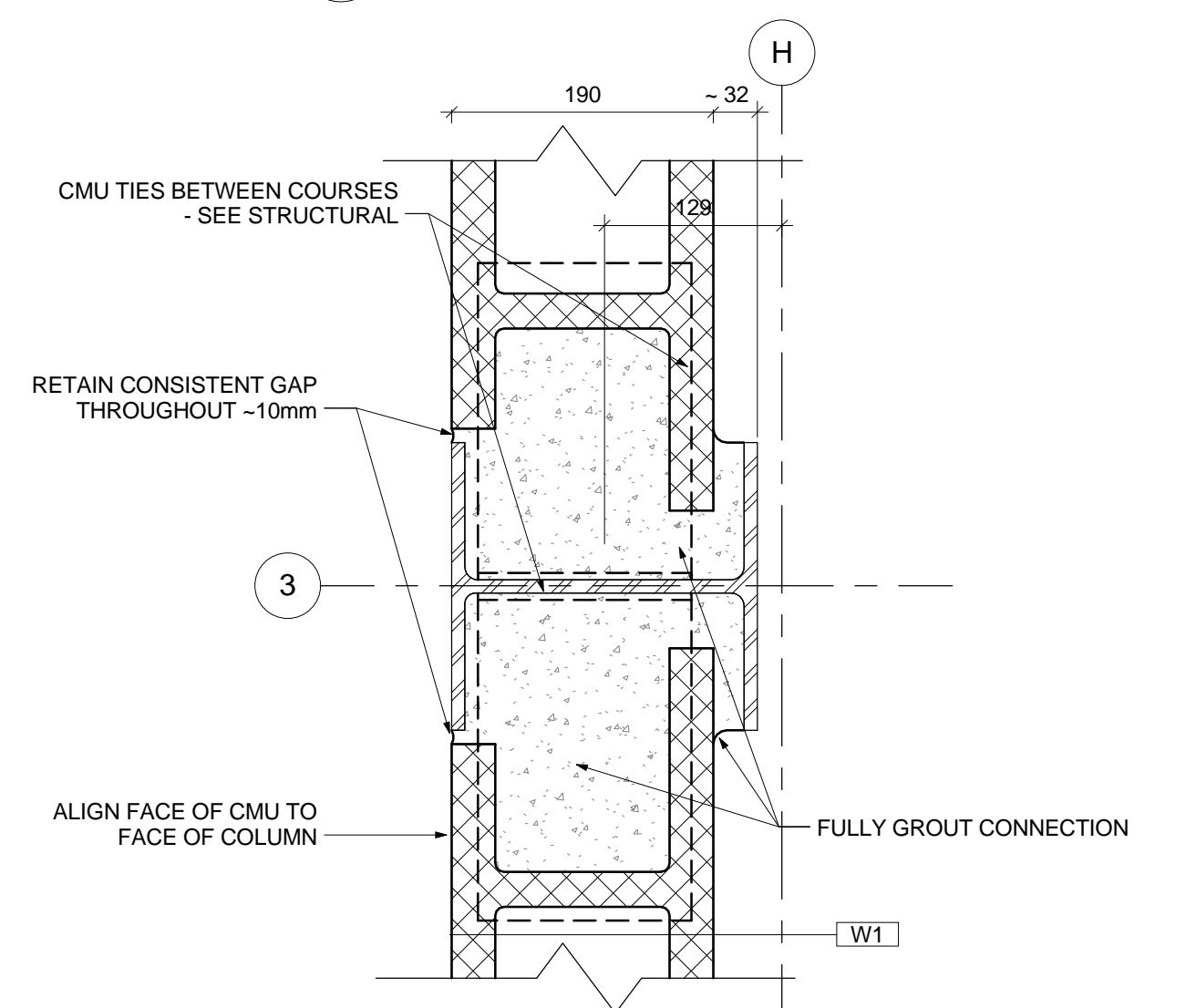
3 OVERHEAD DOOR JAMB
1:5



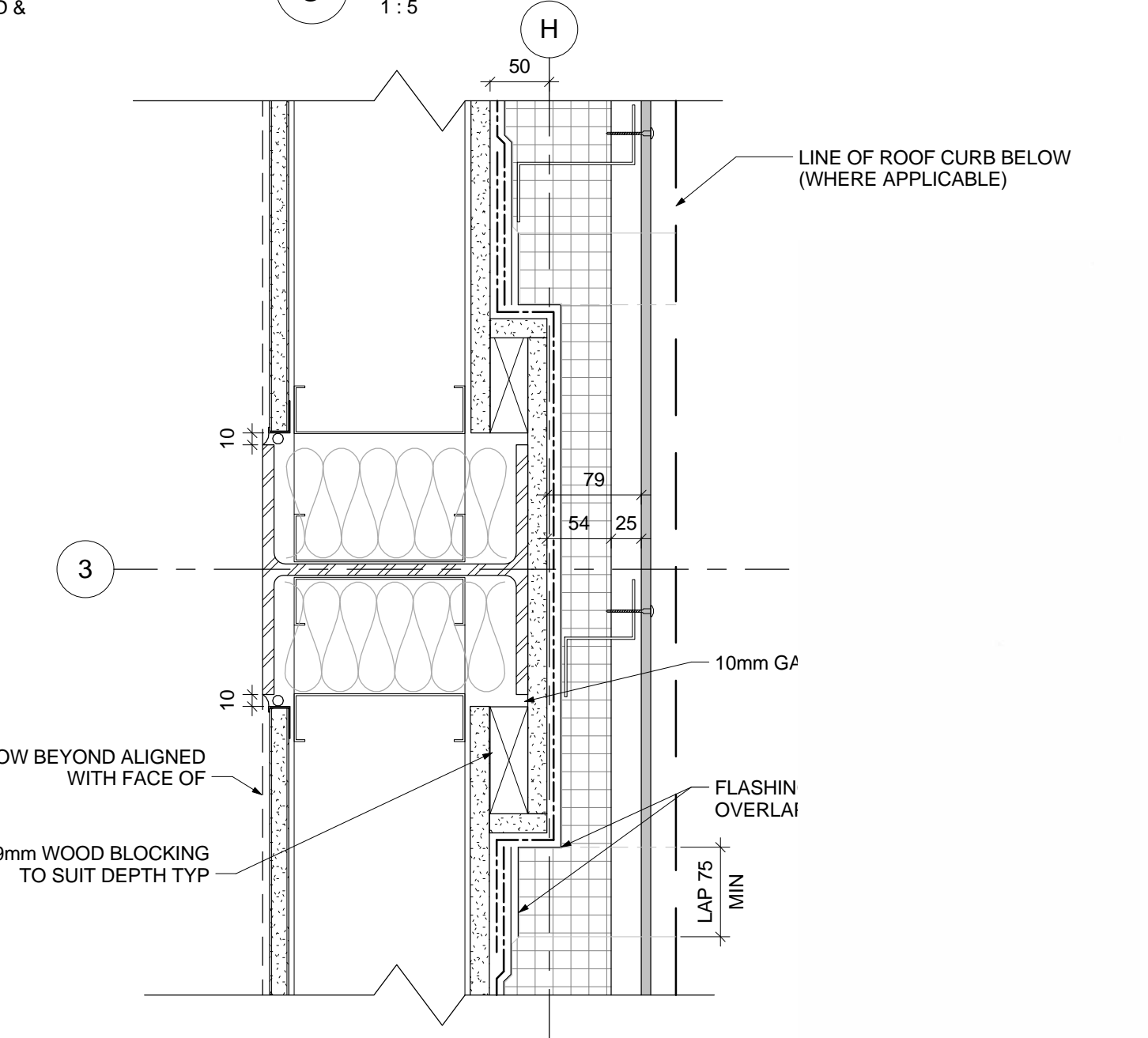
7 TYP PLAN DETAIL - EXTERIOR WALL BLOCK INFILL
1:5



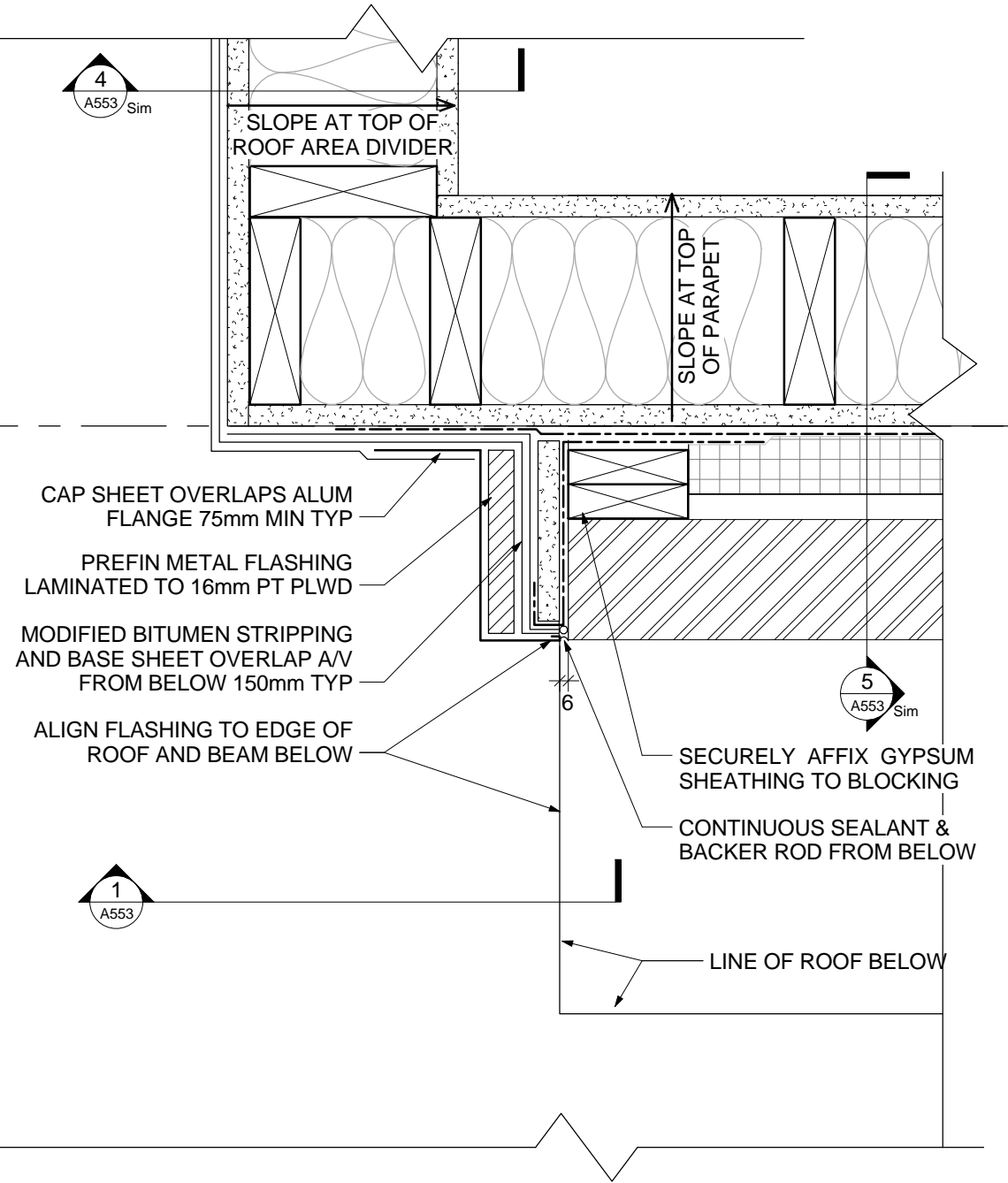
5 TYP PLAN DETAIL @ BLOCK INFILL / FURRING WALL
1:5



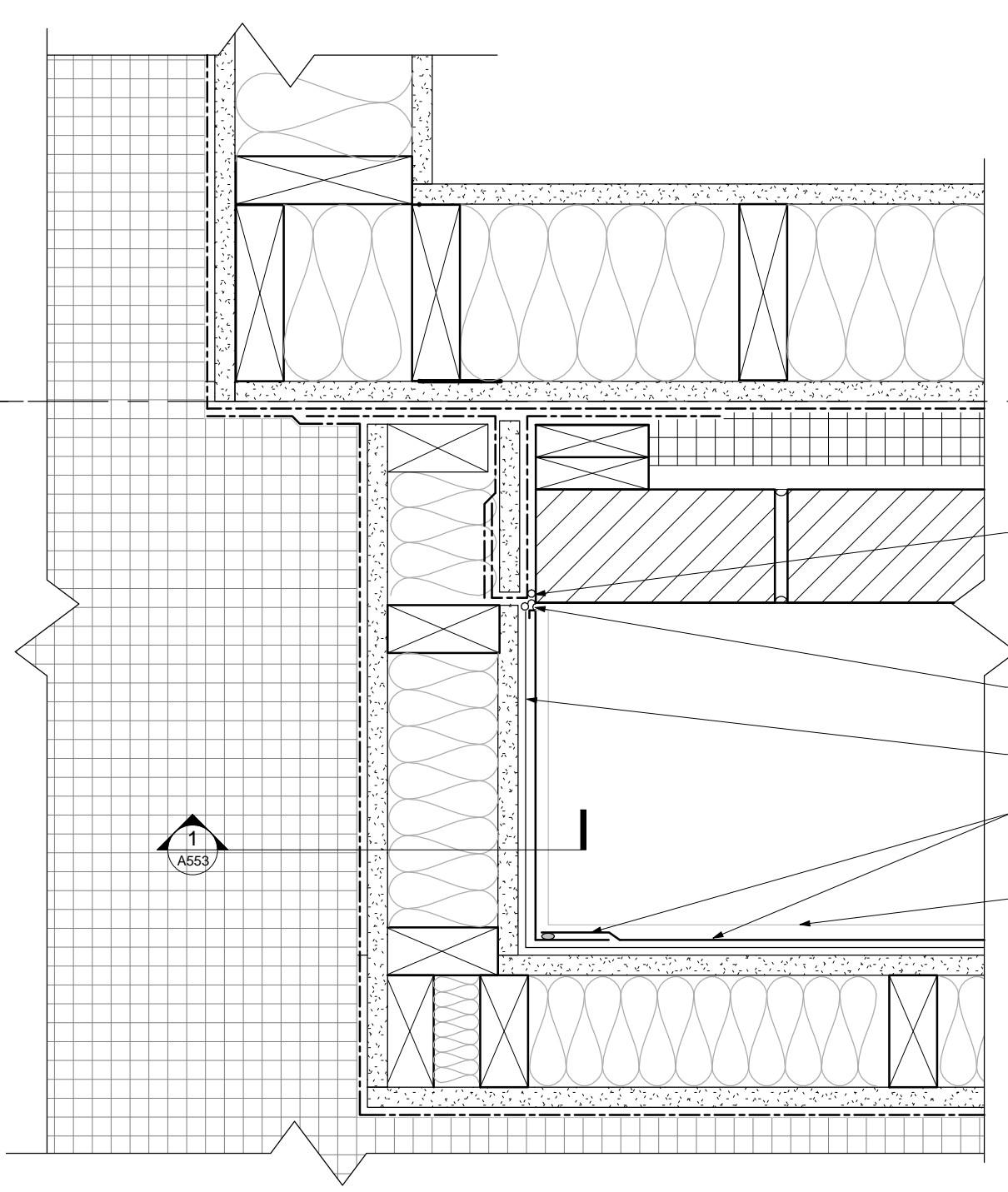
6 TYP PLAN DETAIL - COLUMN @ BLOCK INFILL
1:5



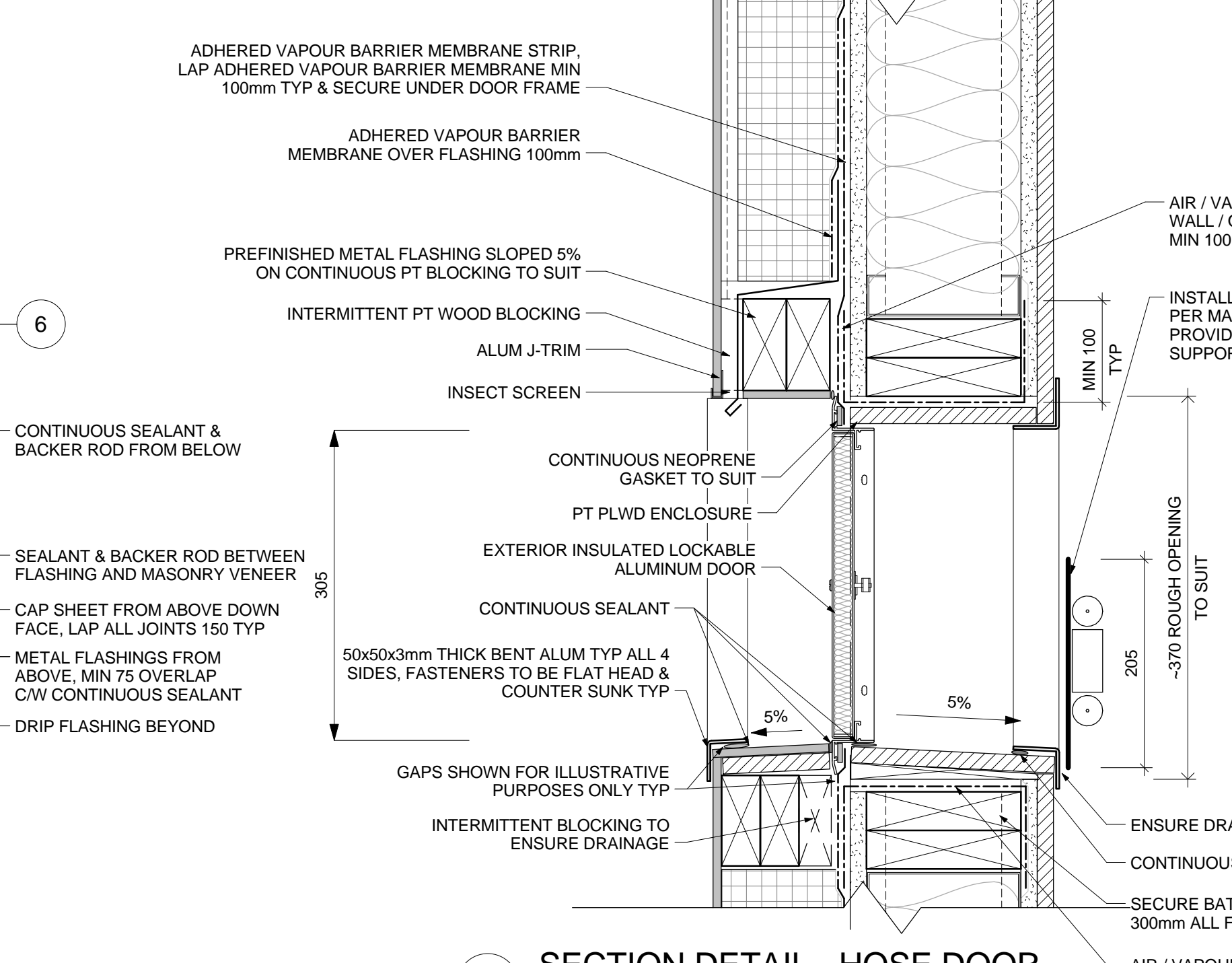
13 TYP PLAN DETAIL - UPPER GYM WALL @ COLUMN
1:5



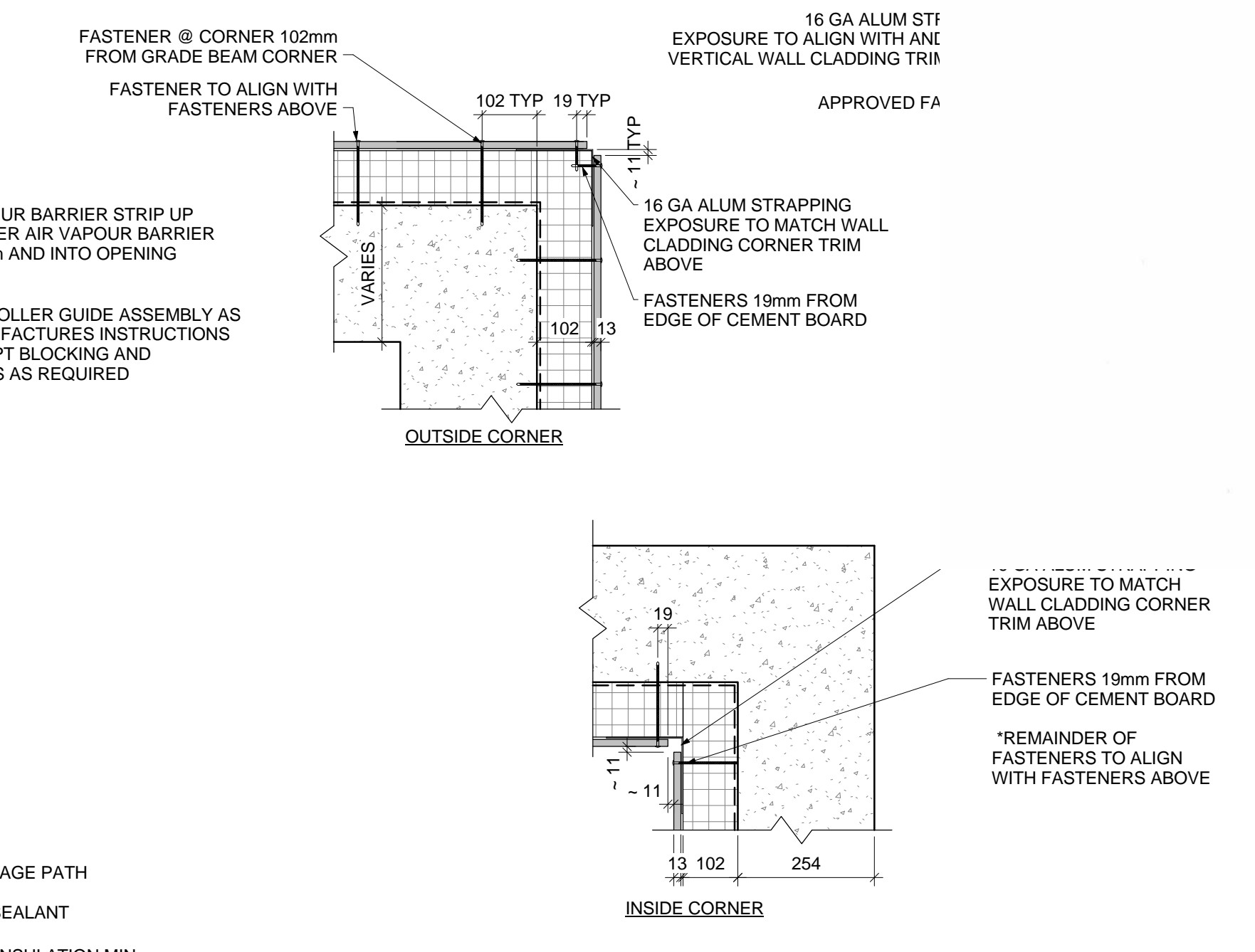
8 PLAN DETAIL - WEST VESTIBULE PARAPET
1:5



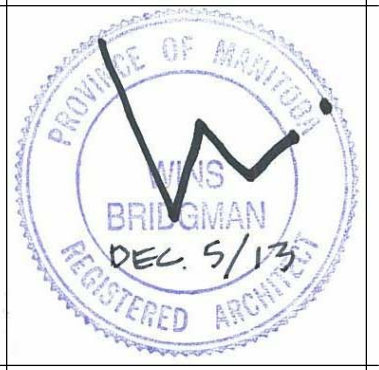
9 PLAN DETAIL - WEST VESTIBULE PARAPET ABOVE
1:5



10 SECTION DETAIL - HOSE DOOR
1:5



12 FOUNDATION CLADDING DETAILS
1:10



Project:
EAST ELMWOOD COMMUNITY CENTRE
490 KEENLEYSIDE, WINNIPEG, MB

Drawing Title:
PLAN & SECTION DETAILS

Issue/Revision Date
1 ISSUED FOR TENDER 2013-12-05

Design By:	Date:
Design Check:	Date:
Drawn By:	Date:
DWG Check:	Date:

Sheet No: A502

This drawing is property of the Consultant and cannot be reproduced or used without the consent of the Consultant. The contractor is responsible for checking and verifying all levels and dimensions and shall report all discrepancies to the Consultant and obtain clarification prior to commencing work.

bridgman collaborative
 Architectural
 678 MAIN STREET WINNIPEG, MB R3B 5E4
 204 488 3857 tel. 204 488 0216 fax.
 www.bridgmancollaborative.ca