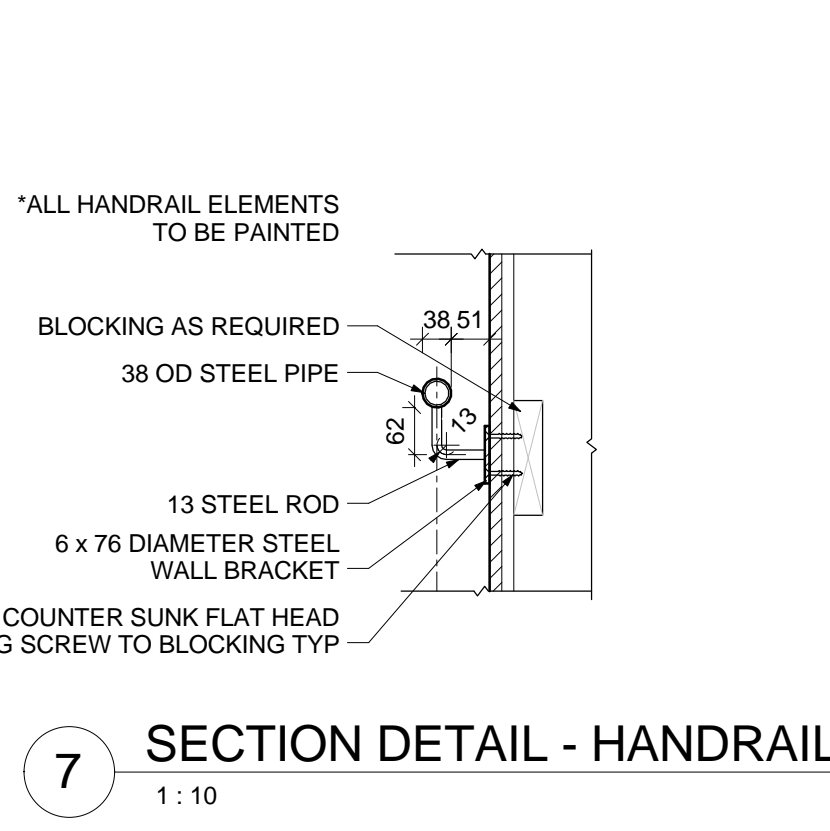
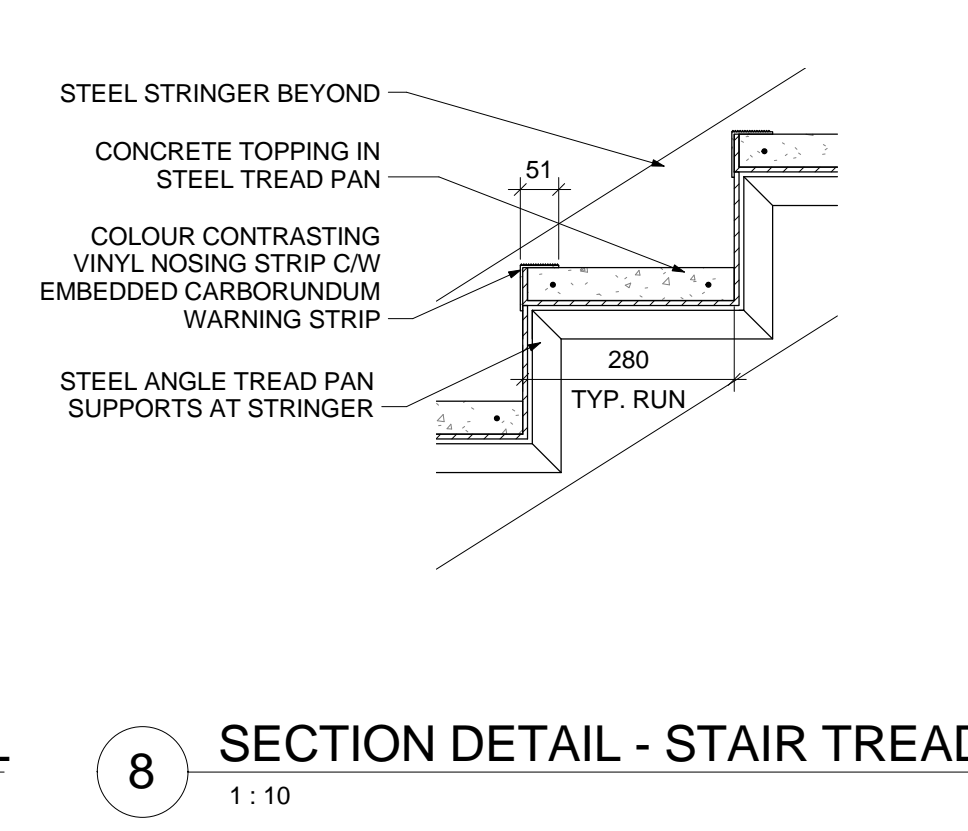


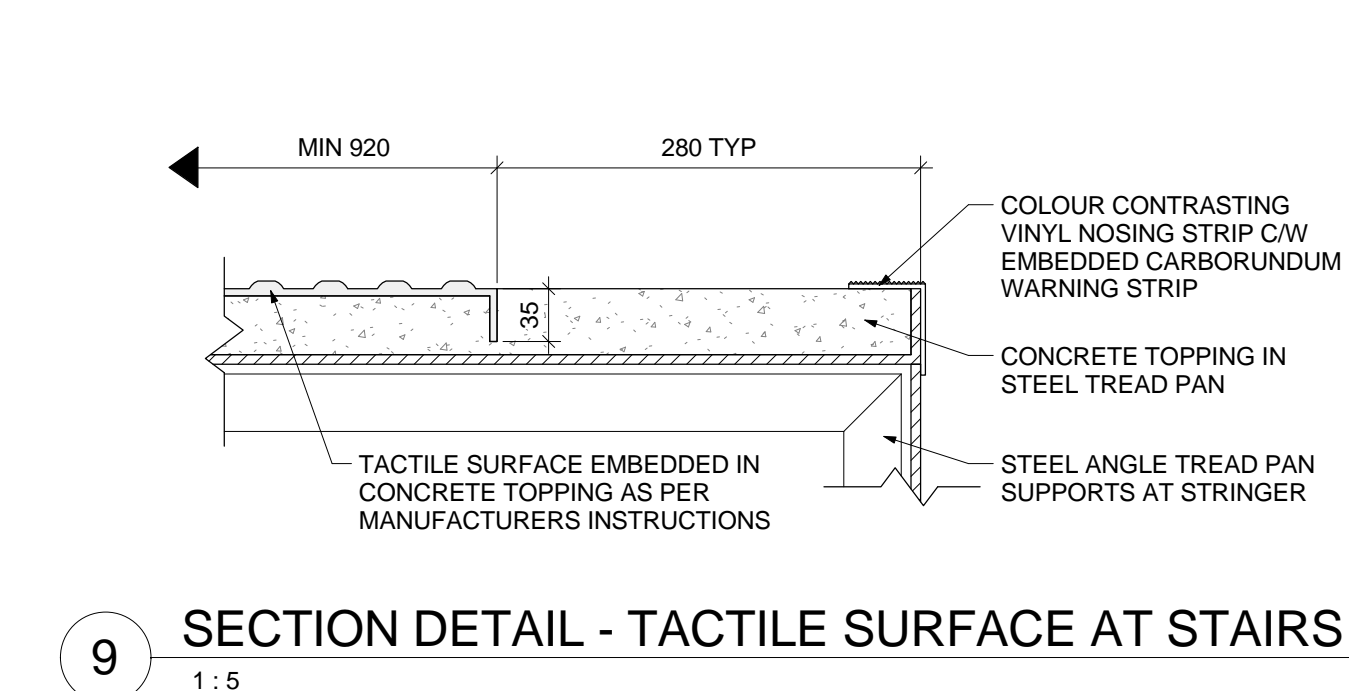
1 STAIR PLAN 1
1:50



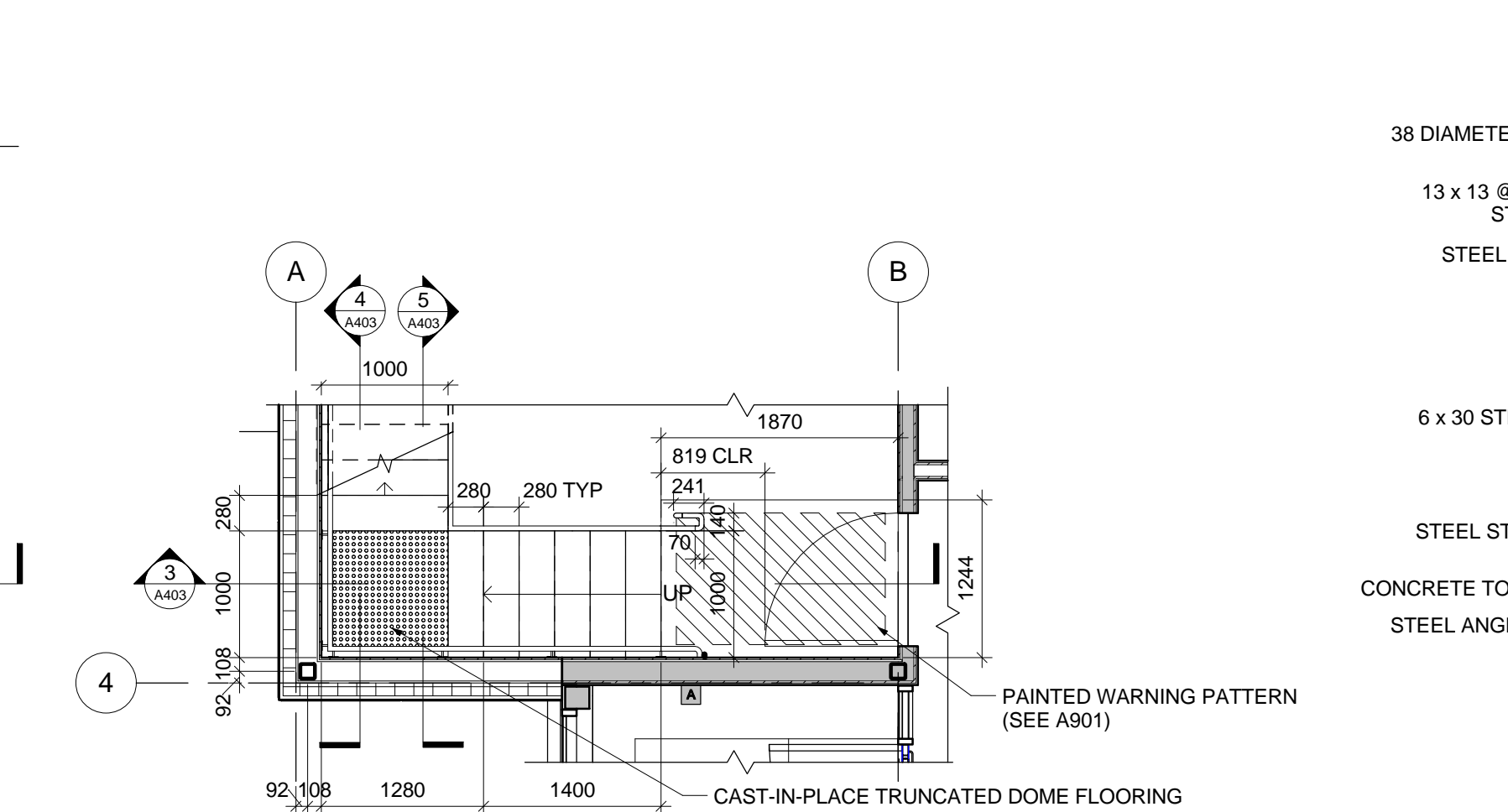
7 SECTION DETAIL - HANDRAIL
1:10



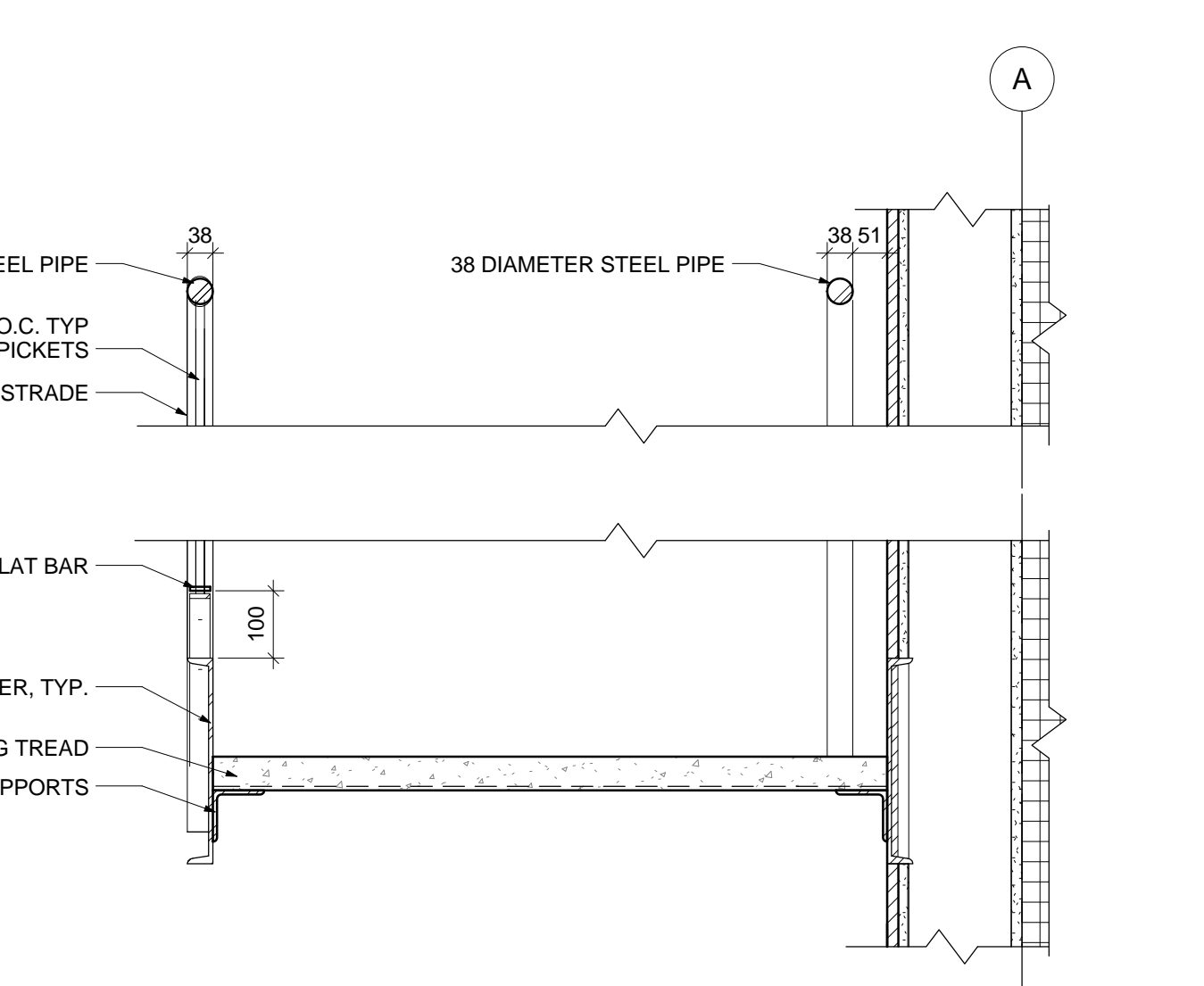
8 SECTION DETAIL - STAIR TREAD
1:10



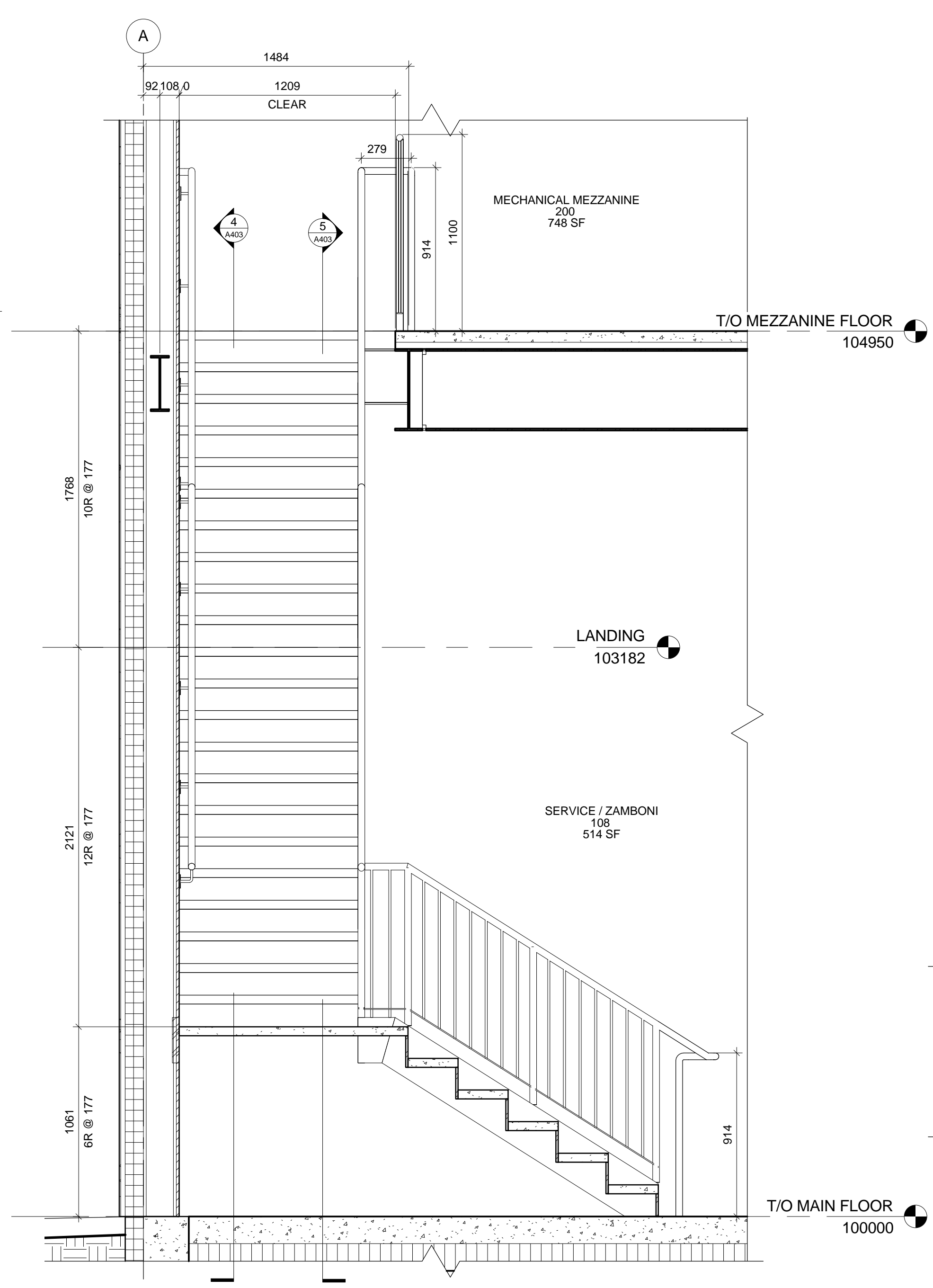
9 SECTION DETAIL - TACTILE SURFACE AT STAIRS
1:5



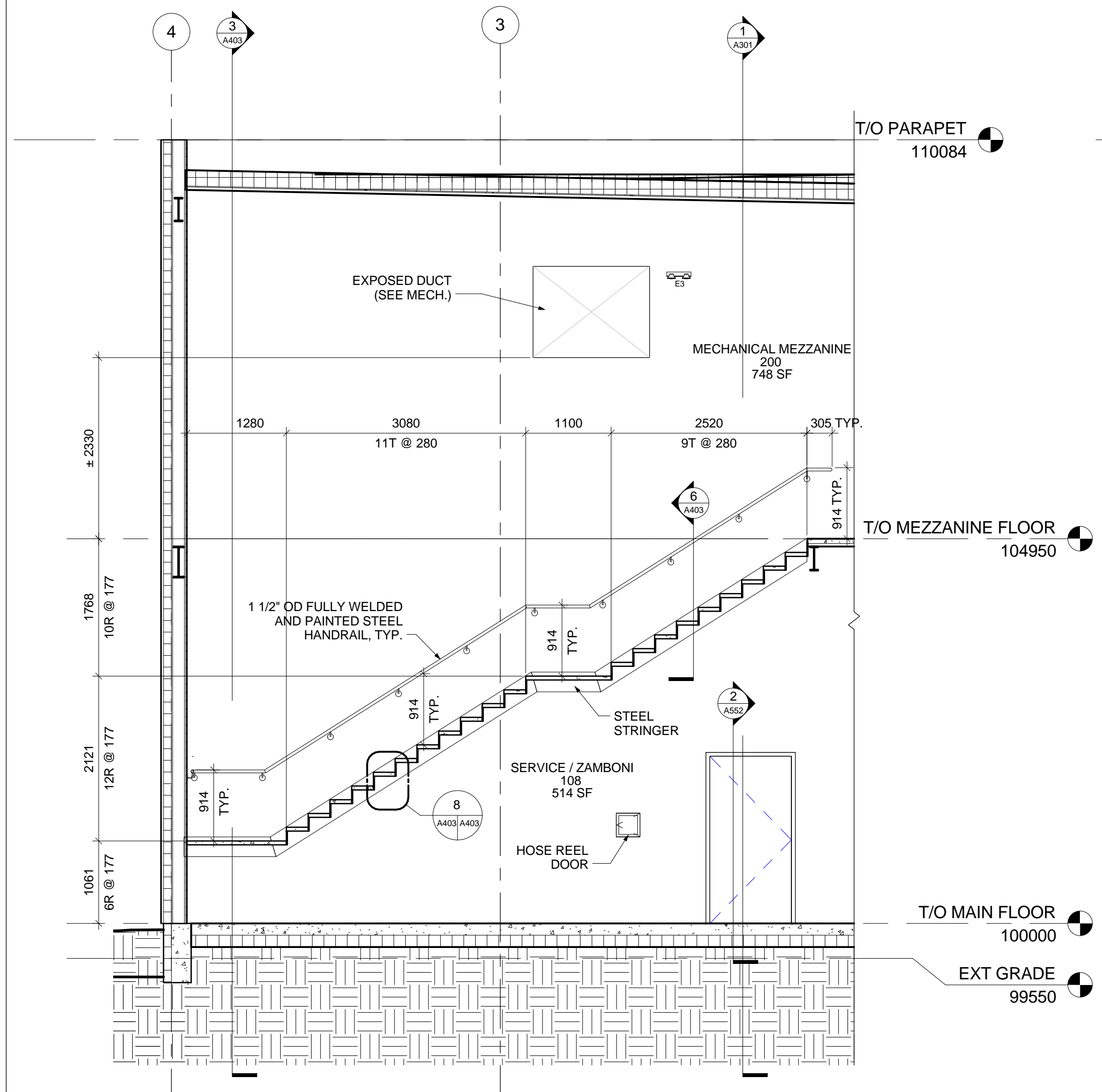
2 STAIR PLAN 2
1:50



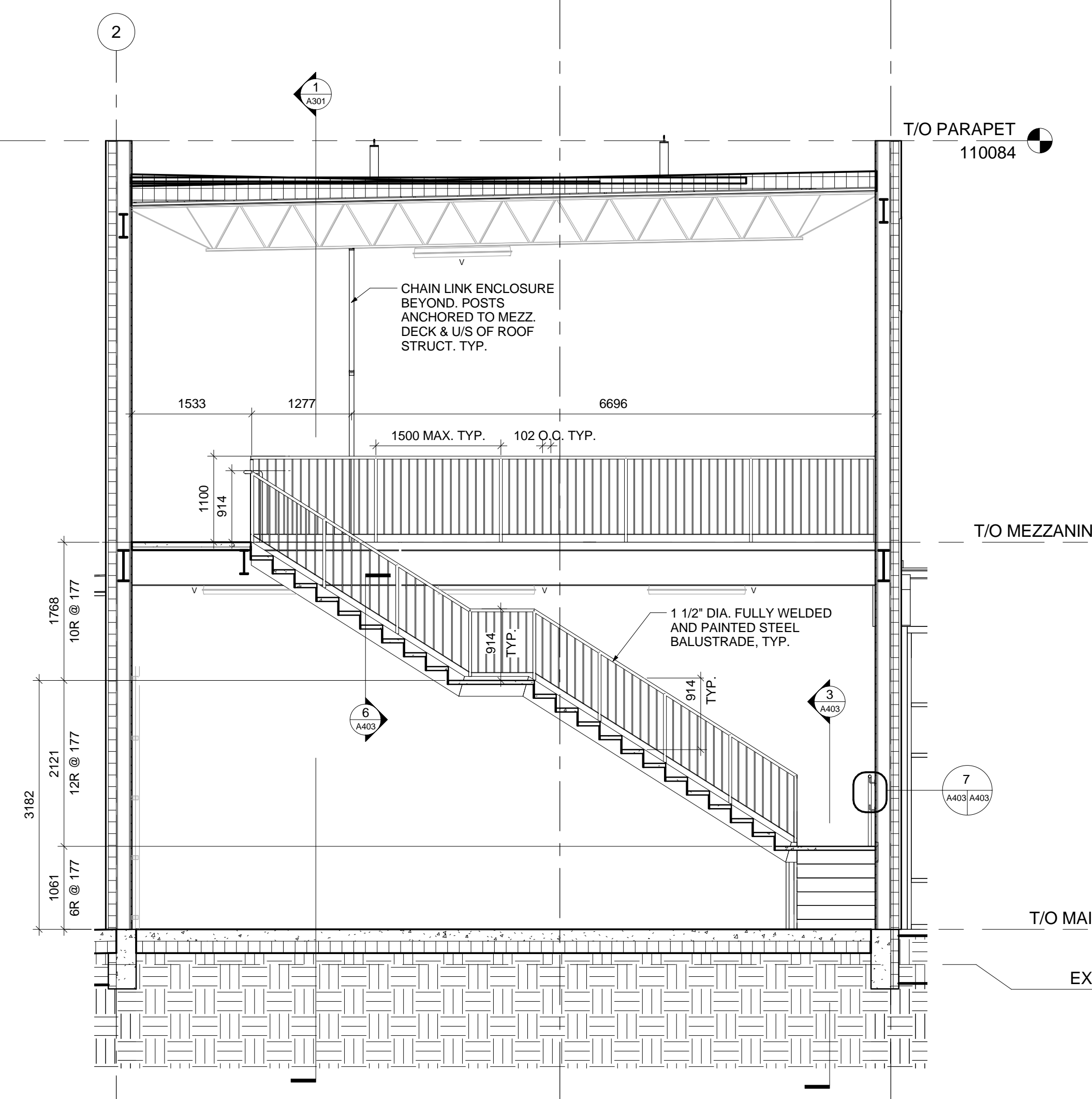
6 SECTION DETAIL - STAIR TREAD
1:10



3 STAIR SECTION 3
1:20



4 STAIR SECTION 1
1:50



5 STAIR SECTION 2
1:50

DRAWING NOTES:
1 ALL EXPOSED WELDS TO BE CONTINUOUS & GROUND SMOOTH

bridgmancollaborative
 architecture
 www.bridgmancollaborative.ca
 678 MAIN STREET WINNIPEG, MB R3B 5E4
 204 488 3857 tel. 204 488 0216 fax.

THE CITY OF WINNIPEG PLANNING, PROPERTY AND DEVELOPMENT DEPARTMENT
 MUNICIPAL ACCOMMODATIONS DIVISION
 4TH FLOOR - 185 KING STREET
 WINNIPEG, MB R3B 1J1

Project: EAST ELMWOOD COMMUNITY CENTRE
 490 KEENLEYSIDE, WINNIPEG, MB
 Project Number: 2013-041
 Bid Opportunity Number: 748-2013

Drawing Title: STAIR PLANS, ELEV. & DETAILS
 # Issue/Revision Date
 1 ISSUED FOR TENDER 2013-12-09

Design By: [Blank]
 Date: [Blank]
 Design Check: [Blank]
 Date: [Blank]
 Drawn By: [Blank]
 Date: [Blank]
 DWG Check: [Blank]
 Date: [Blank]

Sheet No: **A403**

This drawing is property of the Consultant and cannot be reproduced or used without the consent of the Consultant. The contractor is responsible for checking and verifying all levels and dimensions and shall report all discrepancies to the Consultant and obtain clarification prior to commencing work.