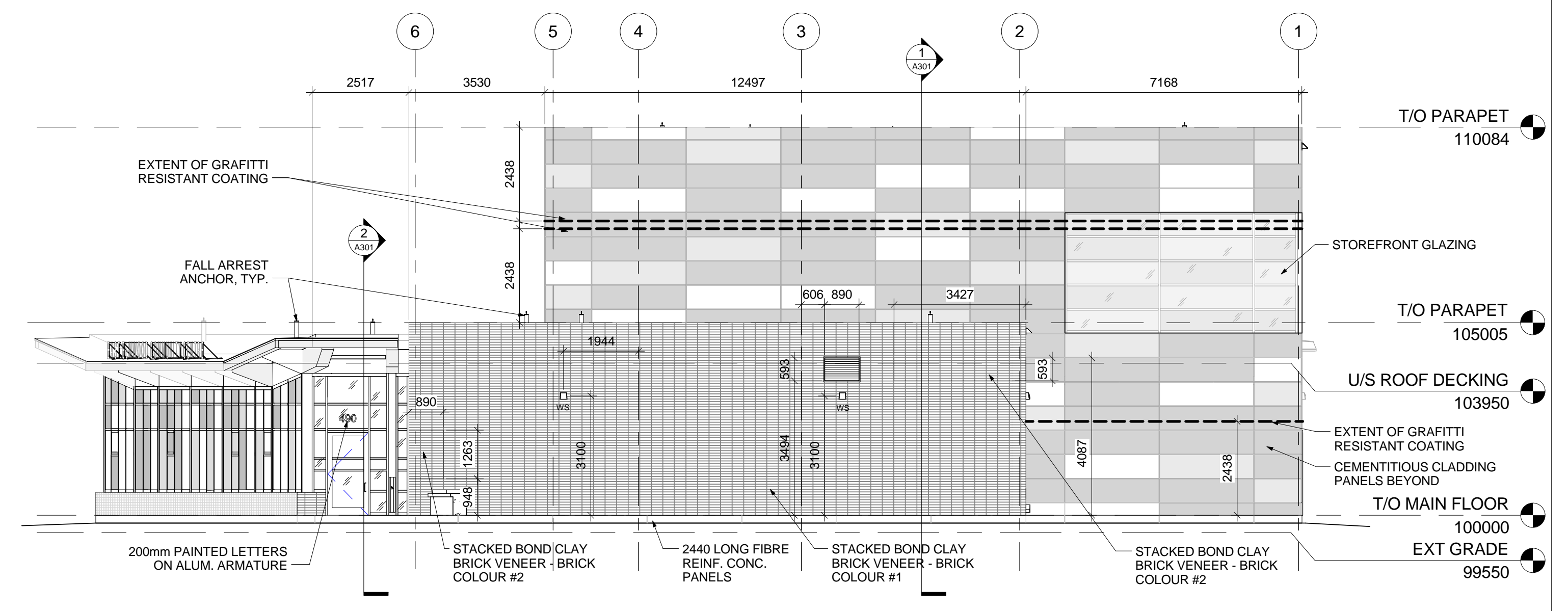
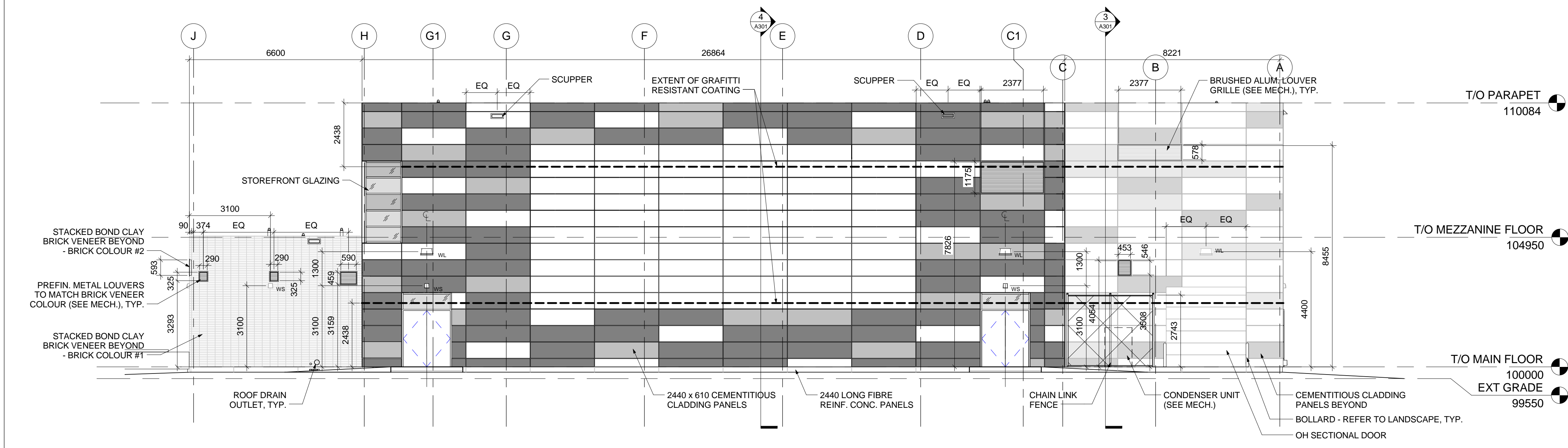


1 NORTH ELEVATION  
1:100



2 SOUTH ELEVATION  
1:100



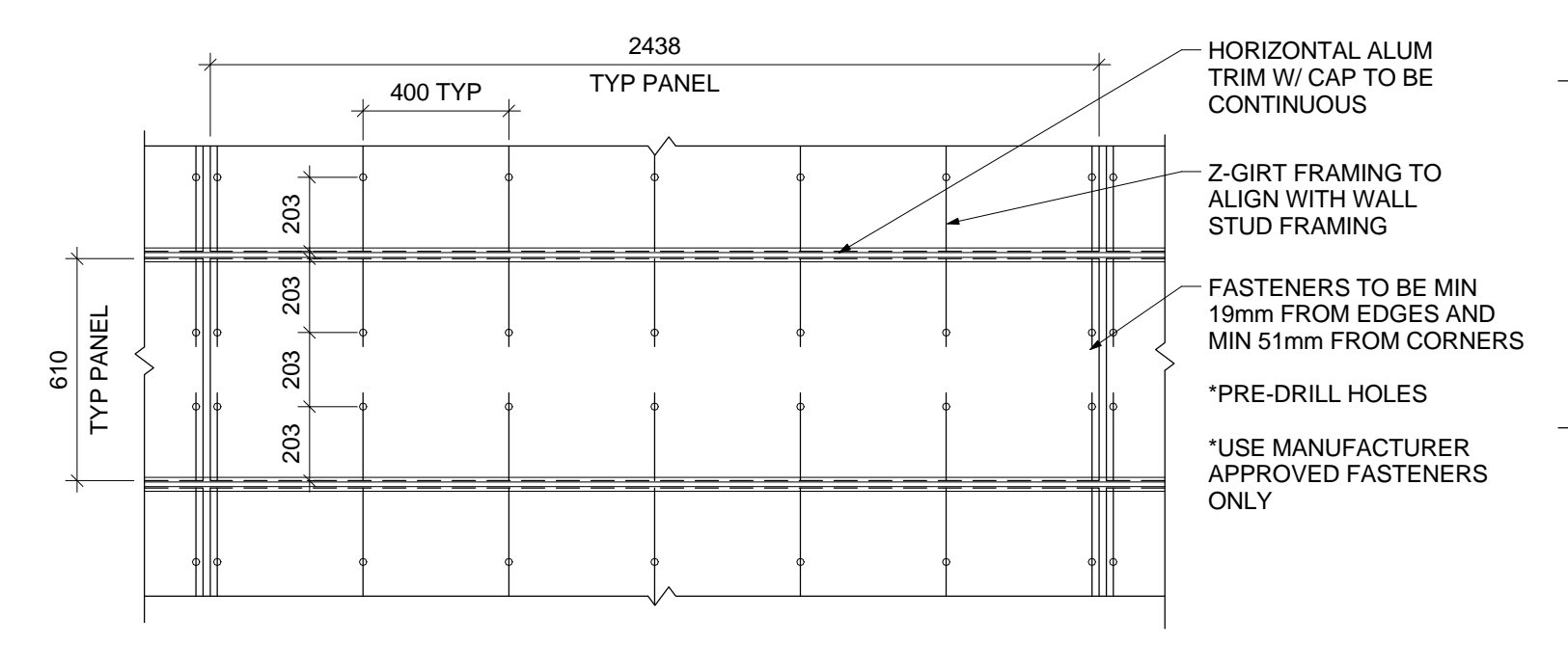
3 EAST ELEVATION  
1:100

**WALL CLADDING LEGEND**

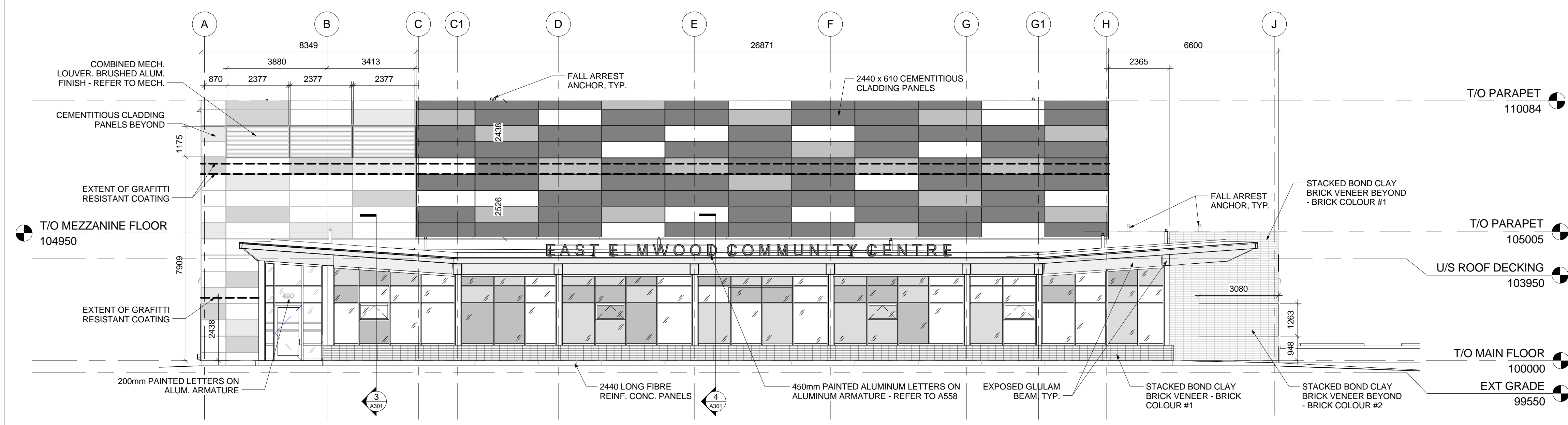
- COLOUR #1
- COLOUR #2
- COLOUR #3

**DRAWING NOTE:**

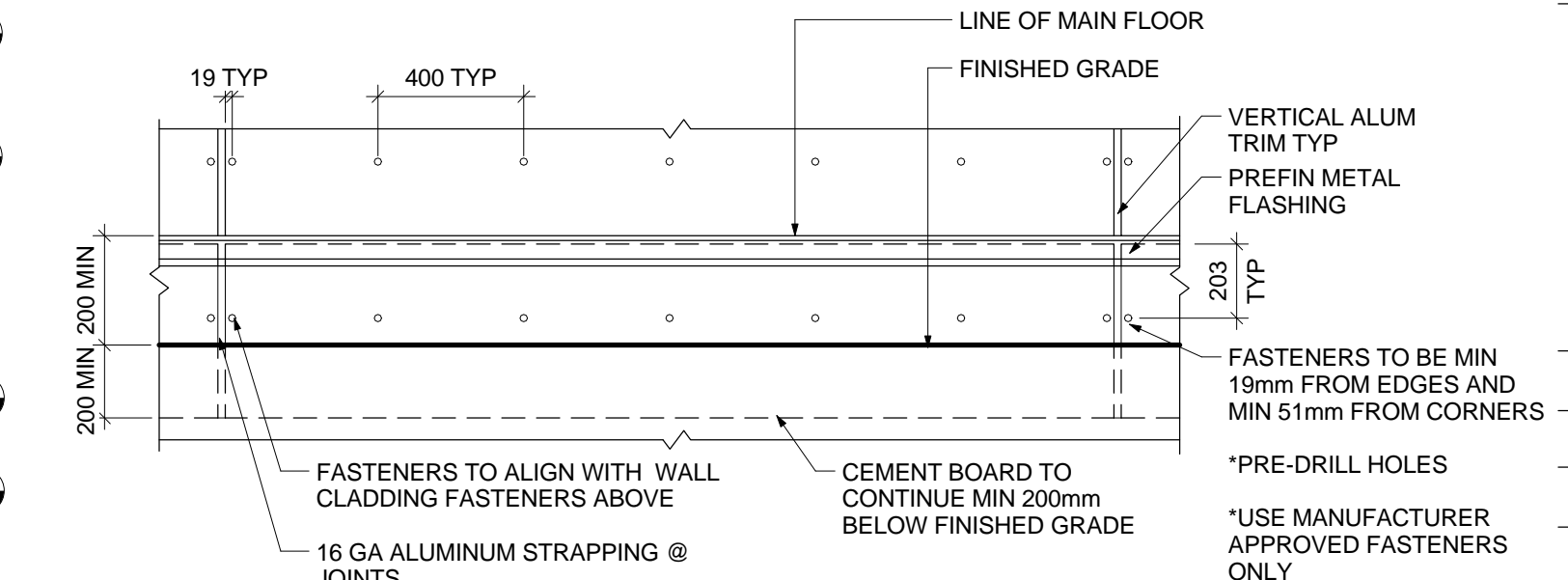
1 OUTSIDE CORNERS AT MASONRY VENEER TO BE MITERED. - REFER TO DETAIL XX/A201



5 ELEVATION - TYPICAL CLADDING  
1:20



4 WEST ELEVATION  
1:100



6 ELEVATION - FOUNDATION CLADDING  
1:20

bridgmancollaborative  
 architecture  
 www.bridgmancollaborative.ca  
 678 MAIN STREET WINNIPEG, MB R3B 1E4  
 204 488 3857 tel. 204 488 0216 fax.

bridgmancollaborative

**Winnipeg**  
 THE CITY OF WINNIPEG PLANNING, PROPERTY AND DEVELOPMENT DEPARTMENT  
 MUNICIPAL ACCOMMODATIONS DIVISION  
 4TH FLOOR - 185 KING STREET  
 WINNIPEG, MB R3B 1J1

Project: EAST ELMWOOD COMMUNITY CENTRE  
 490 KEENLEYSIDE, WINNIPEG, MB  
 Project Number: 2013-041  
 Bid Opportunity Number: 748-2013

Drawing Title: EXTERIOR ELEVATIONS  
 # Issue/Revision Date  
 1 ISSUED FOR TENDER 2013-12-09

Design By: [Name]  
 Date: [Date]  
 Design Check: [Name]  
 Date: [Date]  
 Draw By: [Name]  
 Date: [Date]  
 DWG Check: [Name]  
 Date: [Date]

Sheet No: **A201**

This drawing is property of the Consultant and cannot be reproduced or used without the consent of the Consultant. The contractor is responsible for checking and verifying all levels and dimensions and shall report all discrepancies to the Consultant and obtain clarification prior to commencing work.