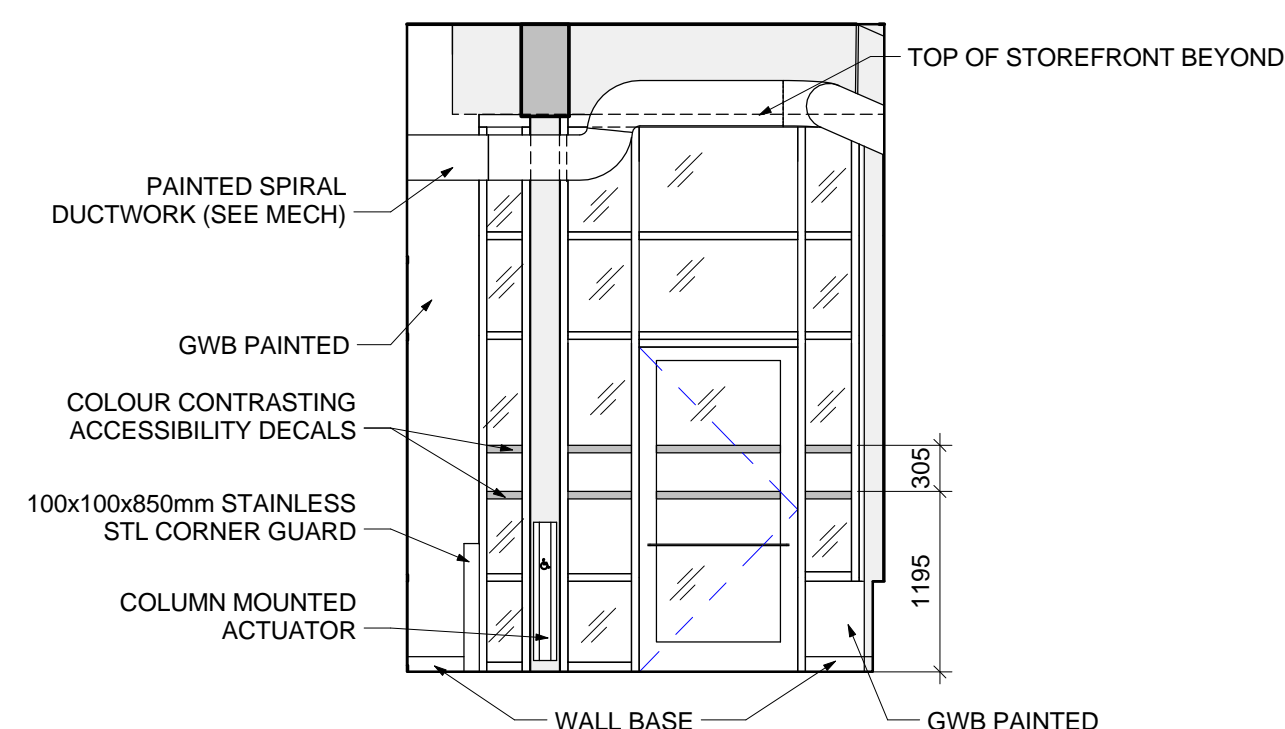
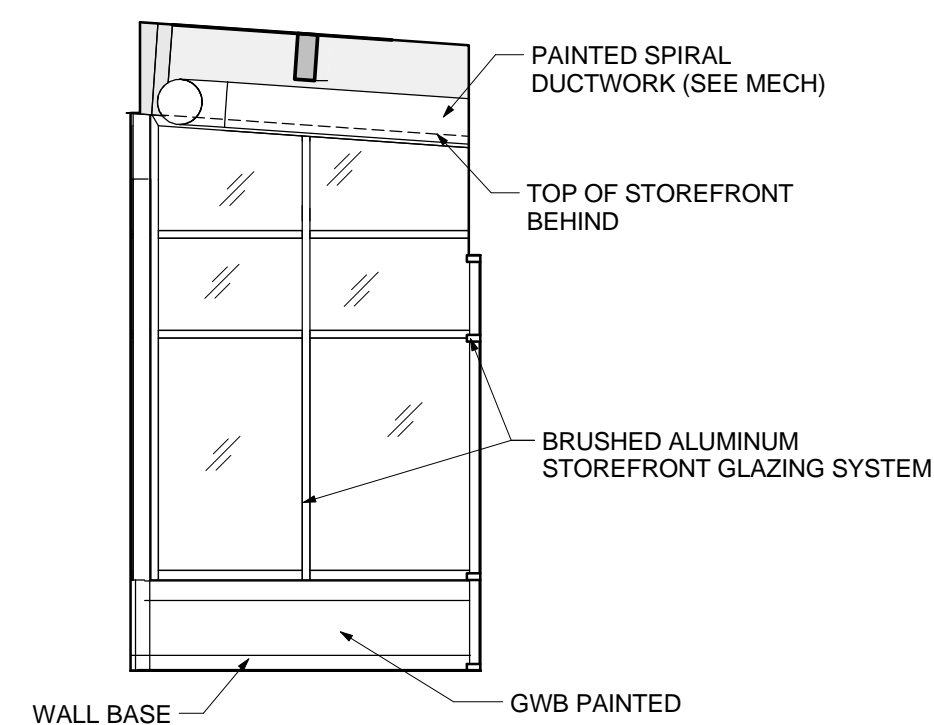


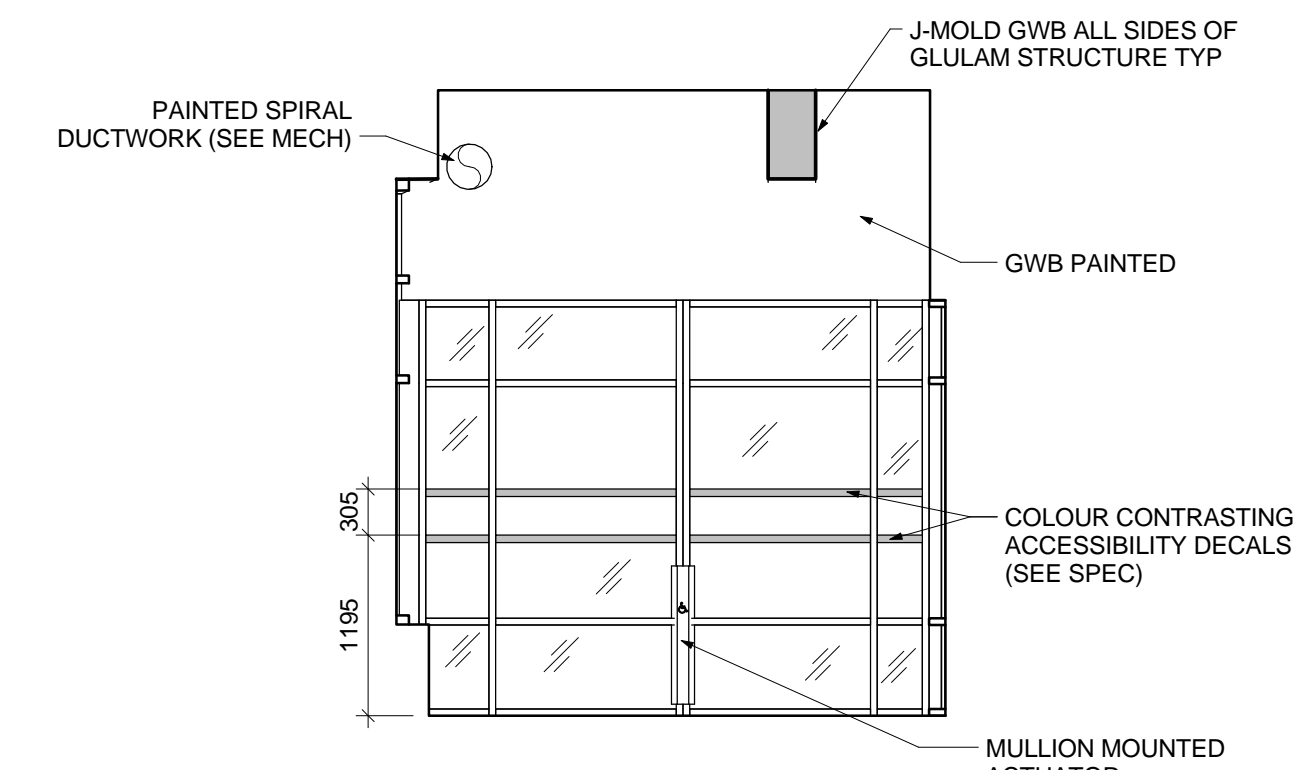
1 100 - A
1:50



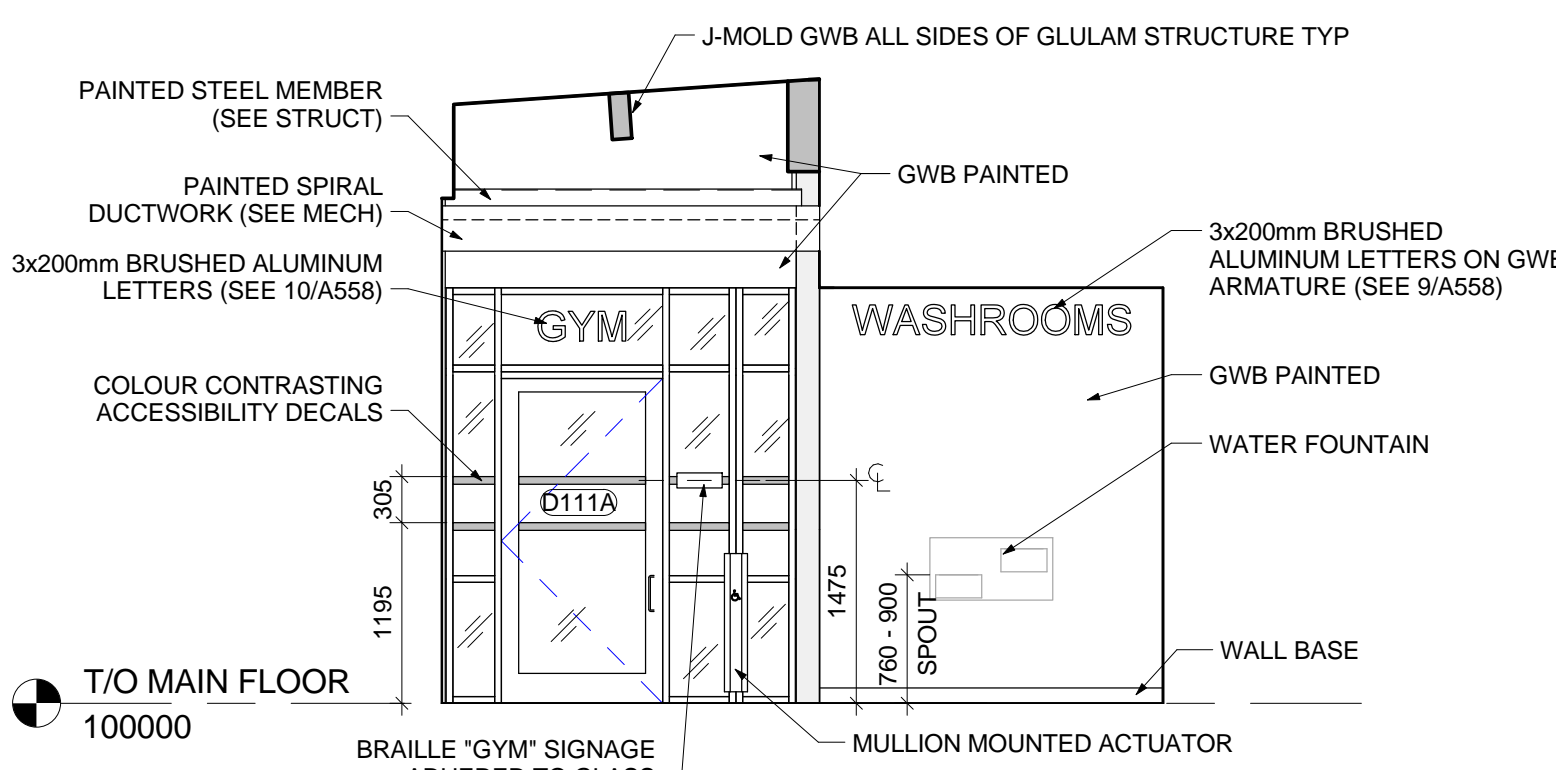
2 100 - B
1:50



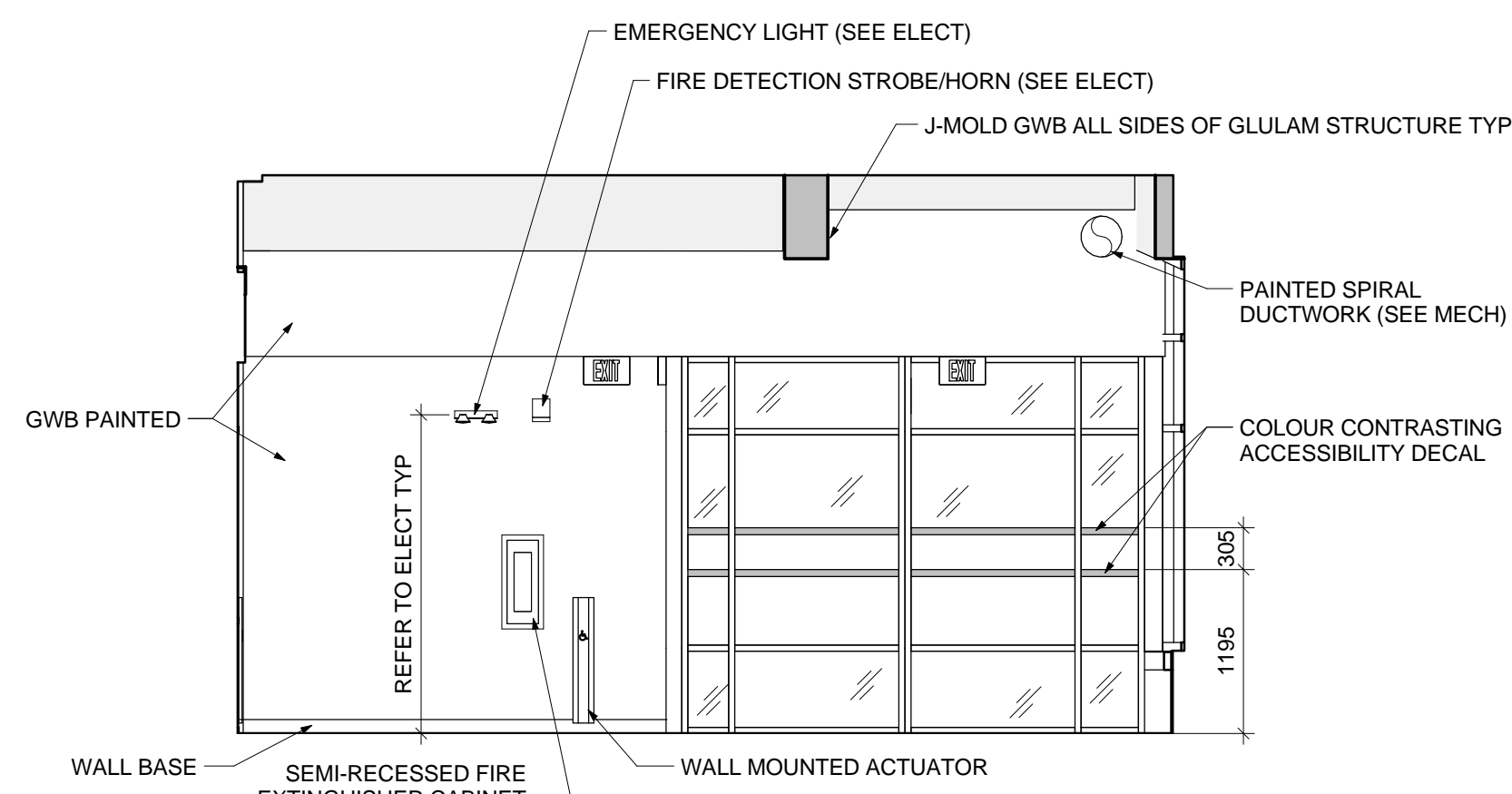
3 100 - C
1:50



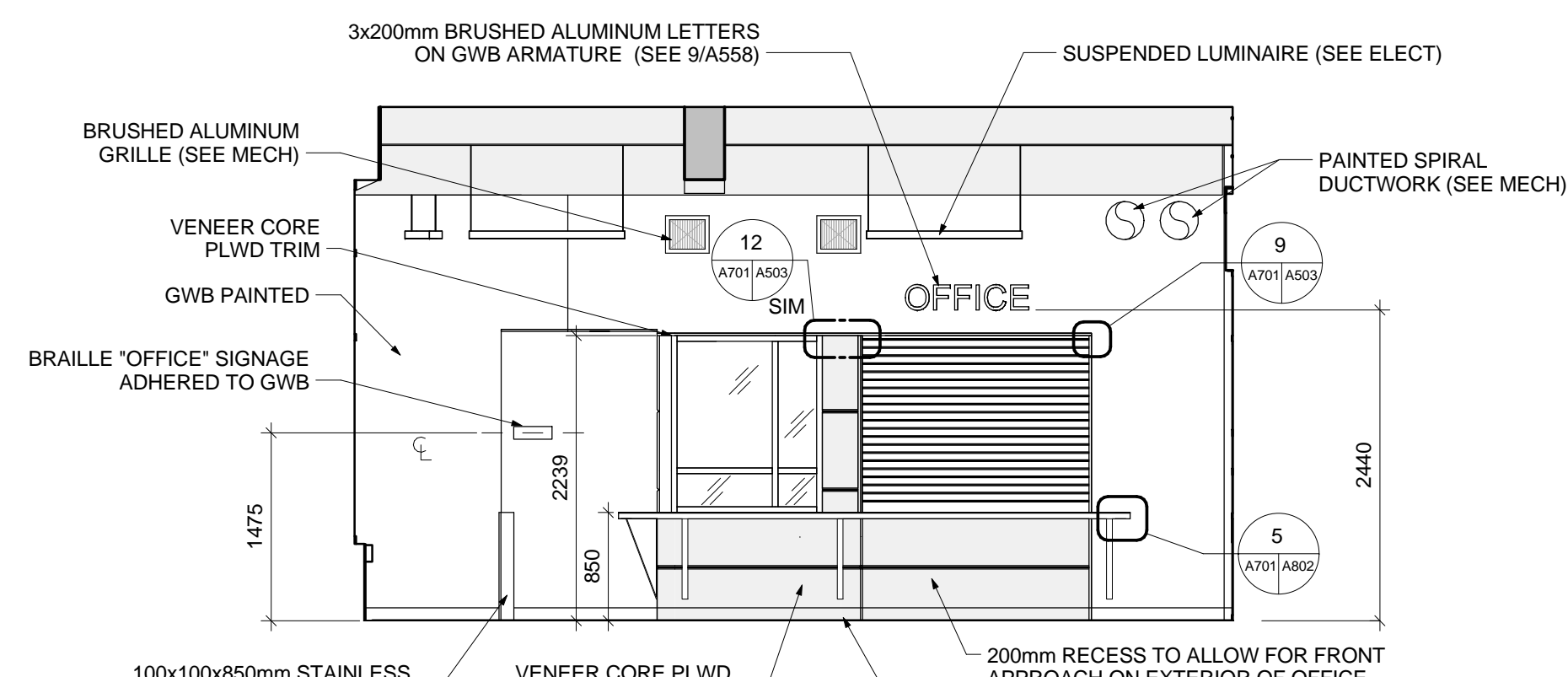
4 100 - D
1:50



5 101 - A
1:50

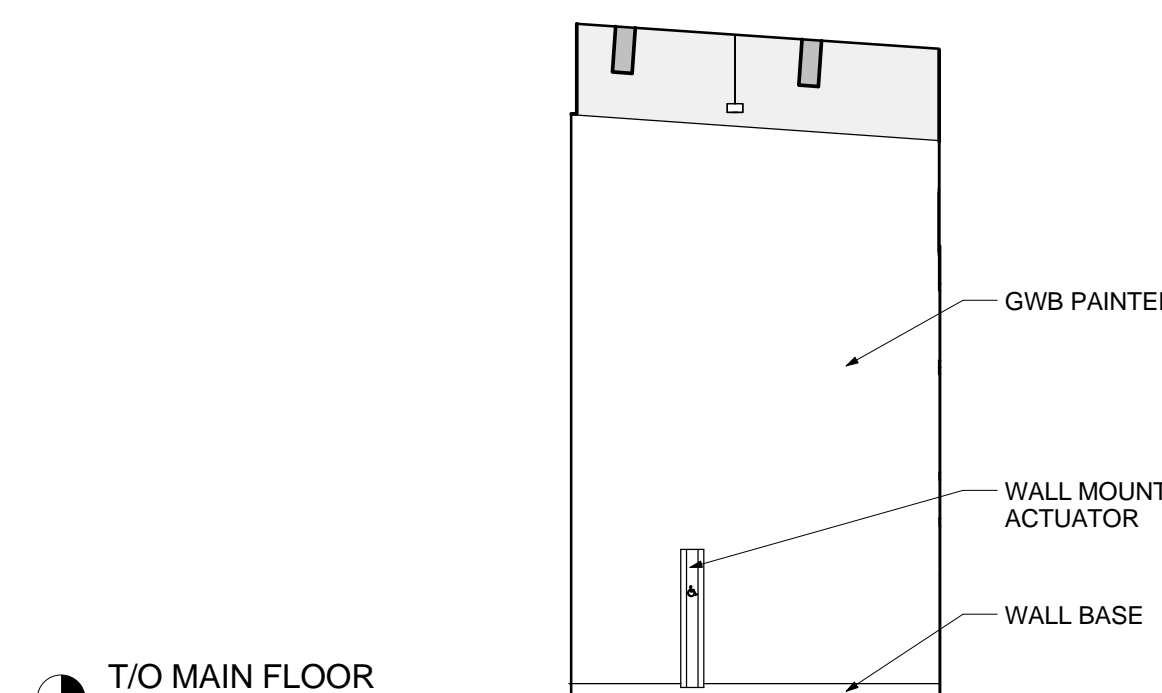


6 101 - B
1:50

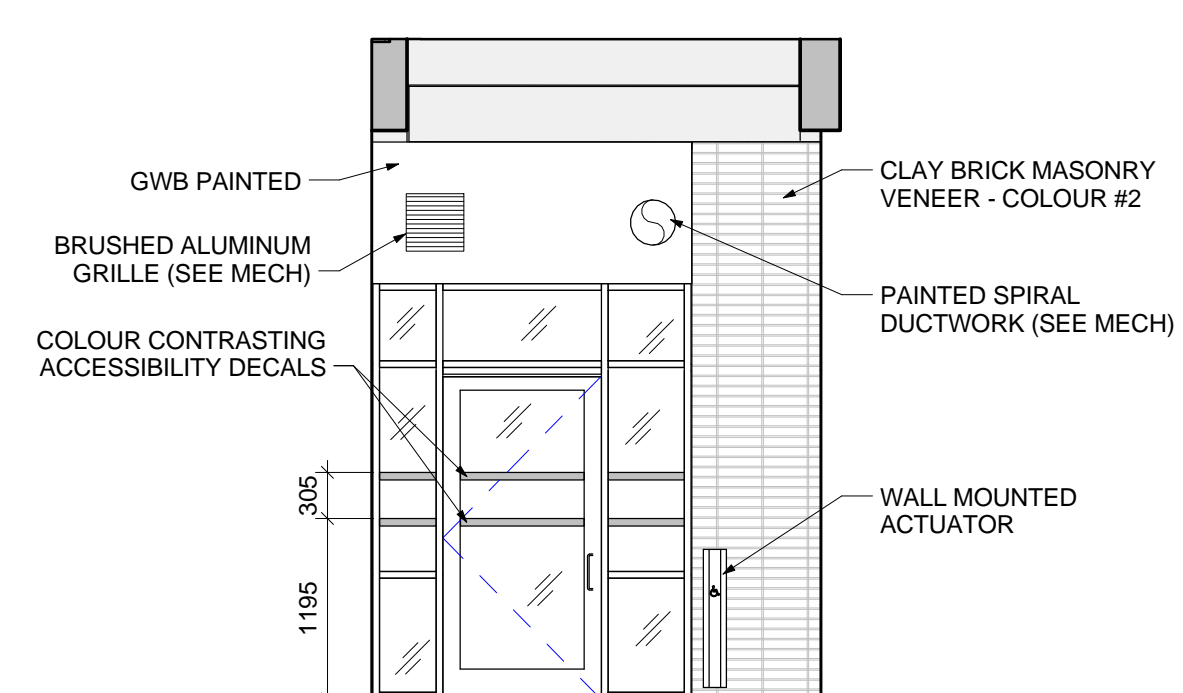


7 101 - D
1:50

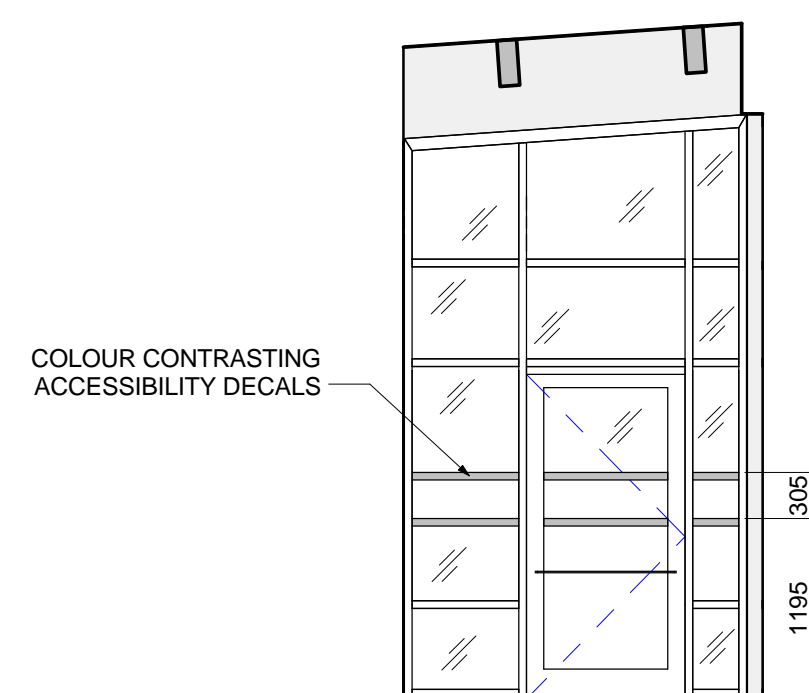
DRAWINGS NOTES:
1. GWB TO INTERFACE FLUSH WITH DUCT PENETRATION ALL AROUND. AT ALL EXPOSED MECHANICAL DUCT PENETRATIONS.
2. REFER TO A903 FOR GLAZING PATTERNS.



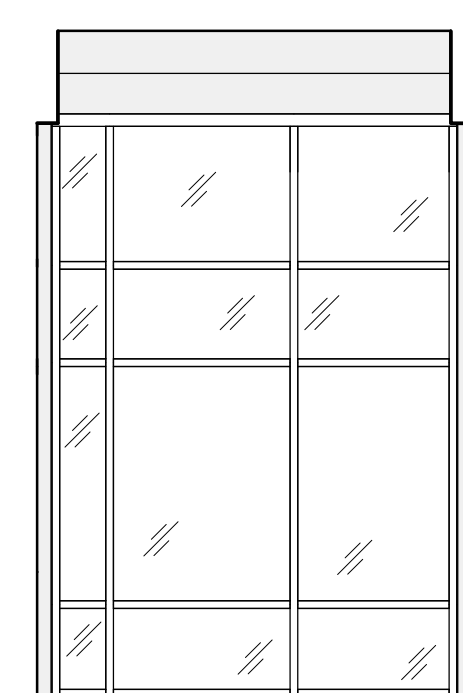
8 107 - A
1:50



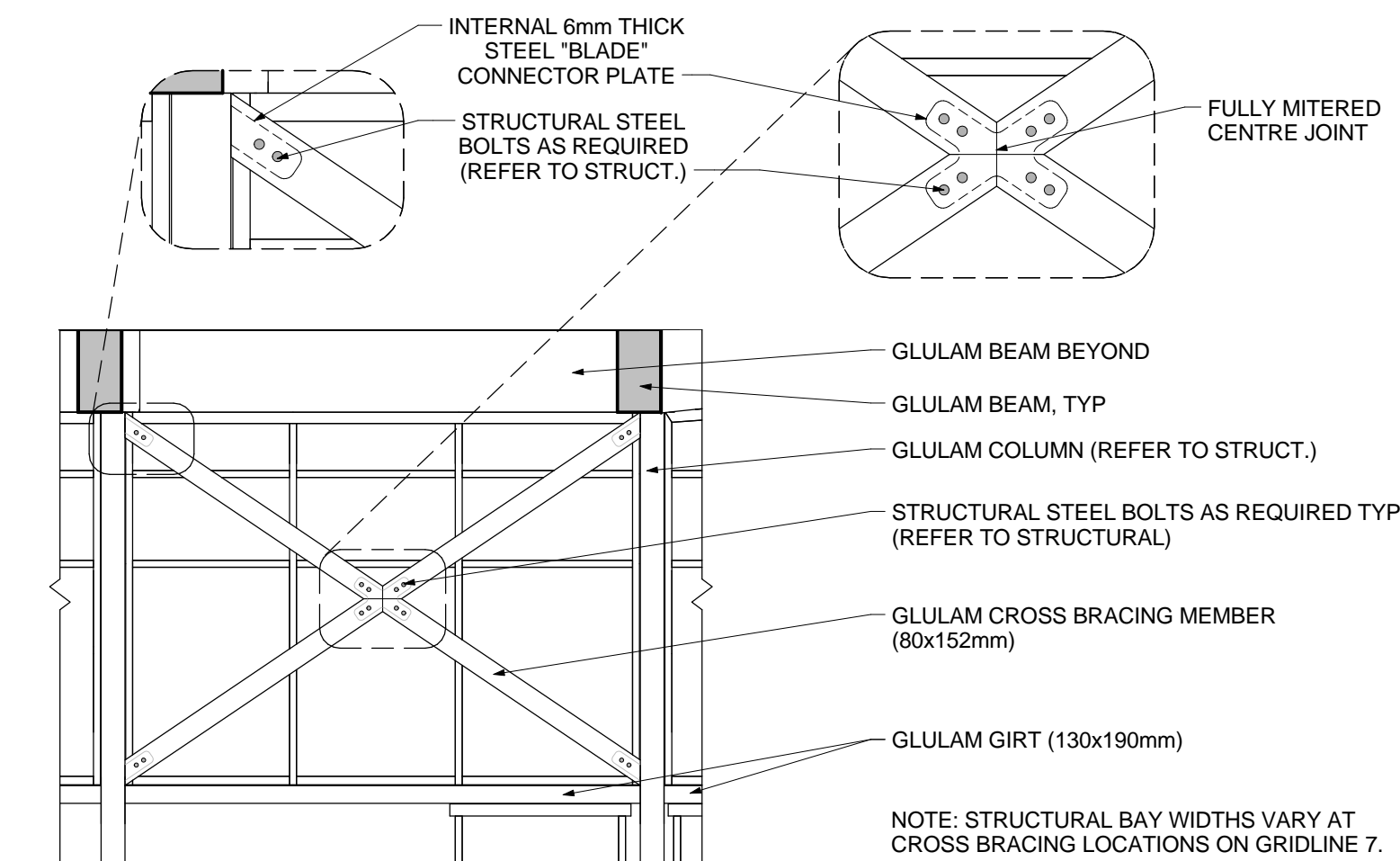
9 107 - B
1:50



10 107 - C
1:50

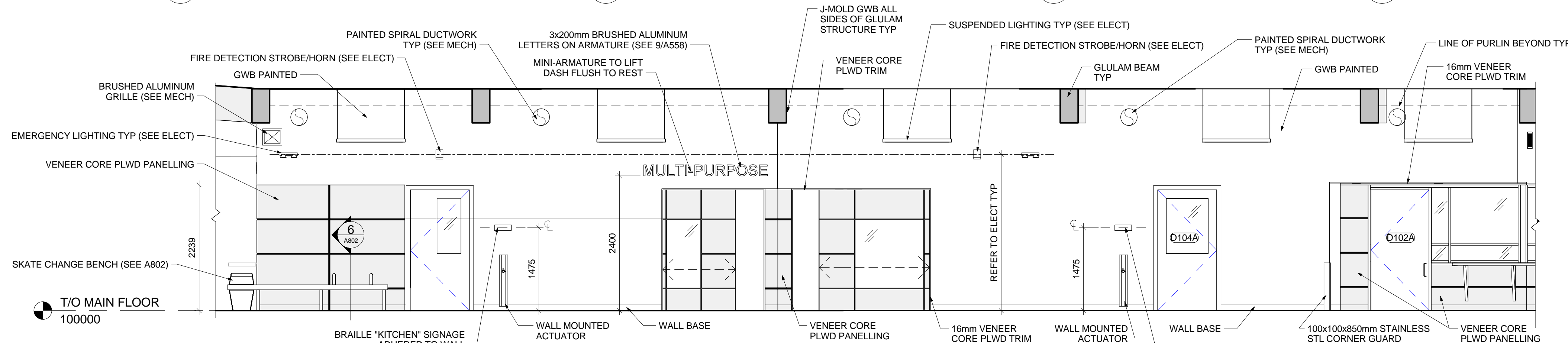


11 107 - D
1:50



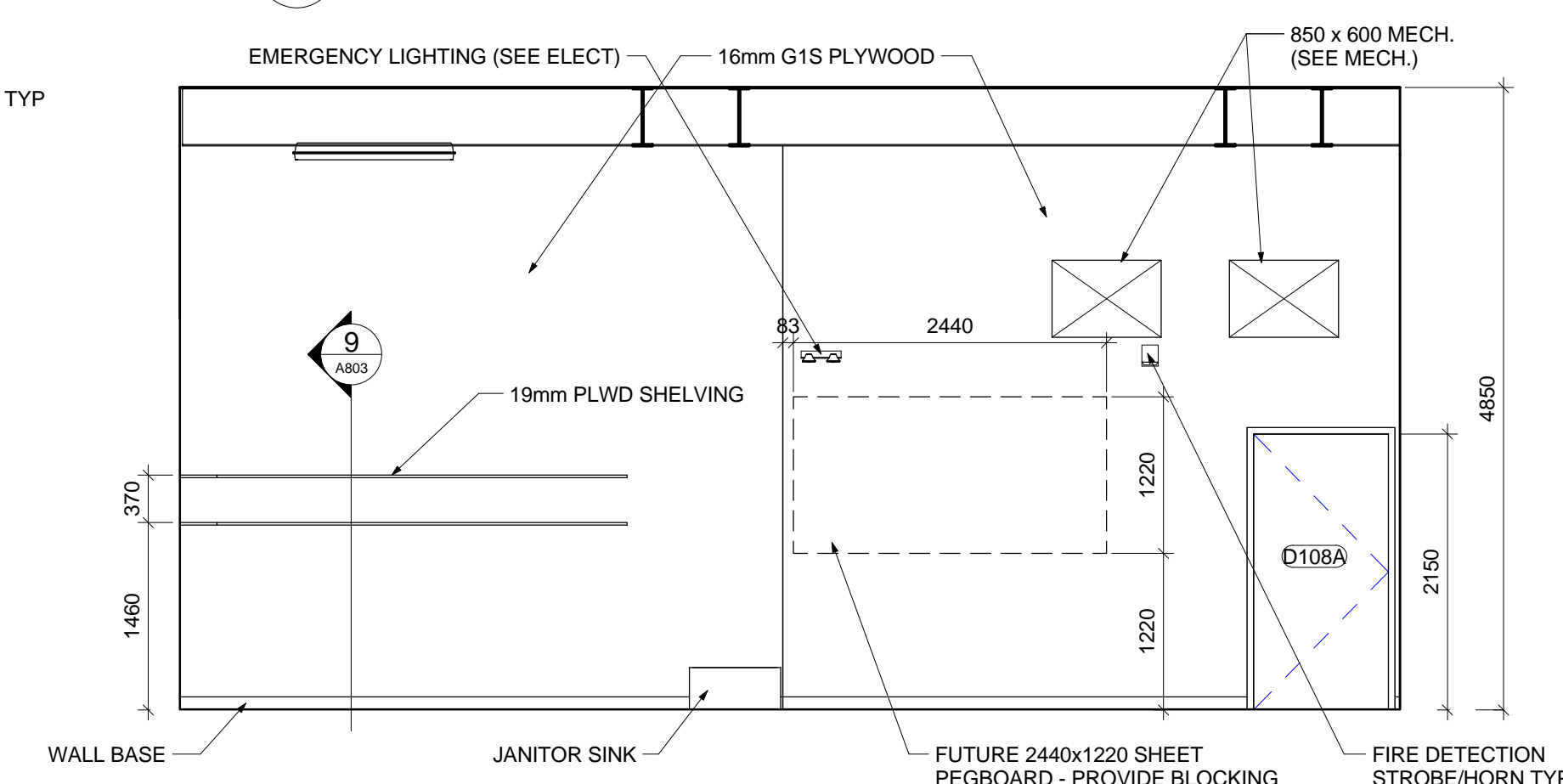
15 GLULAM CROSS BRACING
1:50

NOTE: STRUCTURAL BAY WIDTHS VARY AT CROSS BRACING LOCATIONS ON GRIDLINE 7.



12 COR01 - A
1:50

13 COR01 - E
1:50



14 108 - A
1:50