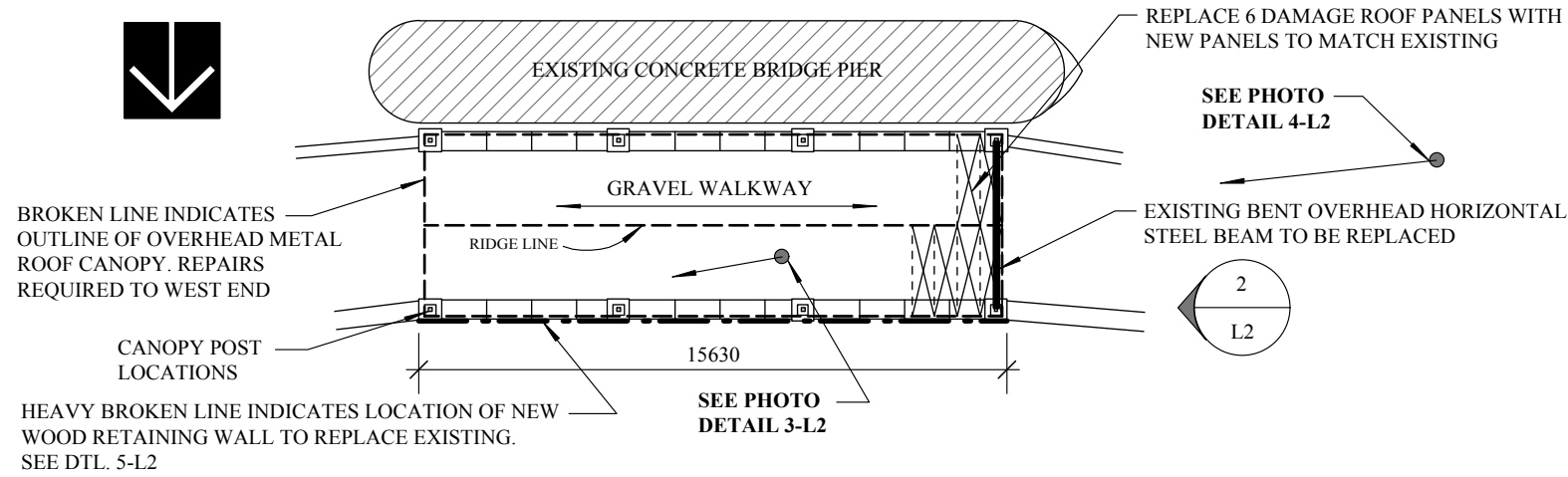


ASSINIBOINE RIVER FLOW

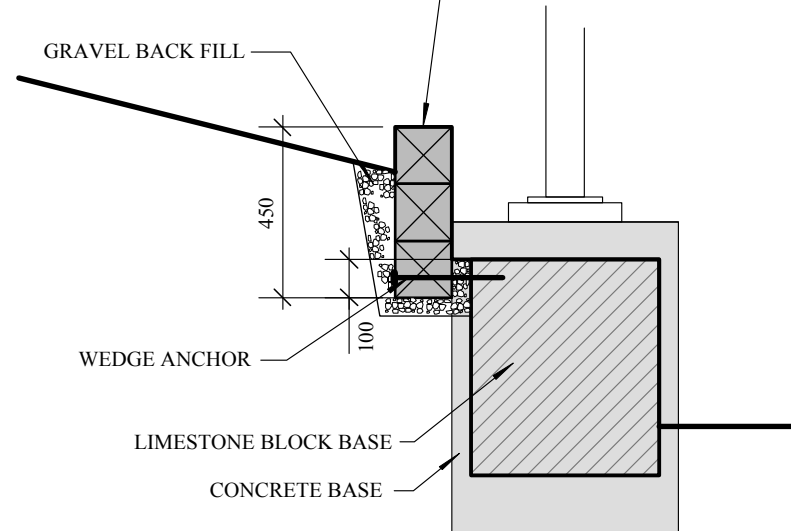


1 CN BRIDGE CANOPY PLAN VIEW
L2 Scale: 1:200



4 EXISTING WEST ELEVATION OF METAL CANOPY
L2 Scale: 1:200

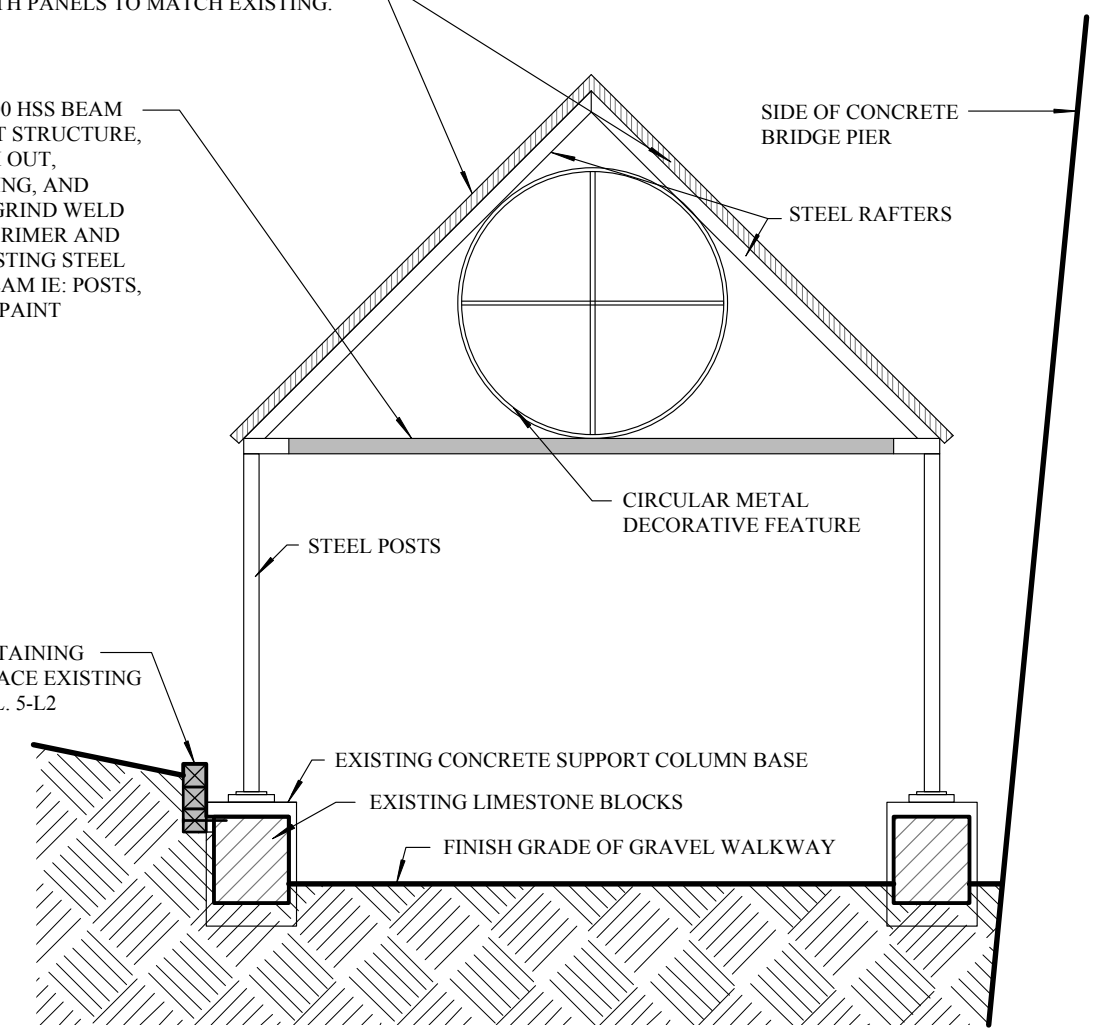
3 LAYERS OF P.T. GREEN 150 x 150 MM TIMBERS. INSTALL NAIL TOGETHER WITH 250 MM LONG SPIKES @ 1 METRE O.C. STAGGER JOINTS MIN. 1.8 METRES. USE 4.88 FULL LENGTH TIMBER ONLY. SET BOTTOM TIMBER 100 MM BELOW TOP OF LIMESTONE BLOCK. BOTTOM TIMBER IS TO BE BOLTED TO EACH CONCRETE COLUMN WITH 250 MM LONG, 9 MM DIA. RUSTPROOF WEDGE ANCHORS TO SECURE WALL FROM FLOATING IN FLOODS.



5 WOOD RETAINING WALL SECTION
L2 Scale: 1:20

6 EXISTING METAL ROOF PANELS WHICH ARE DAMAGED ARE TO BE REPLACED WITH PANELS TO MATCH EXISTING.

SHADED AREA INDICATES EXISTING 100 HSS BEAM WHICH IS BENT. TEMPORARY SUPPORT STRUCTURE, SAWCUT DAMAGED SECTION OF BEAM OUT, INSTALL NEW BEAM TO MATCH EXISTING, AND CONTINUOUSLY WELD TO EXISTING. GRIND WELD SMOOTH. FINISH WITH ONE COAT OF PRIMER AND TWO COATS OF PAINT. PAINT ALL EXISTING STEEL FRAMING CONNECTED TO THE THIS BEAM IE: POSTS, RAFTER, CIRCULAR METAL FEATURE. PAINT COLOUR TO MATCH EXISTING.



2 WEST ELEVATION OF OVERHEAD METAL CANOPY
L2 Scale: 1:50



3 EXISTING TIMBER PLANK WALL PHOTO
L2 Scale: 1:200

PROJECT TITLE CITY OF WINNIPEG ASSINIBOINE RIVERWALK FLOOD REPAIRS RESTORATION 2012	DRAWING TITLE CN BRIDGE CANOPY AND AREA KEN RECH LANDSCAPE ARCHITECTS INC. 1480 Wellington Crescent Winnipeg Manitoba Email kenrech@mymts.net R3N 0B3 Tel(204) 489-6616	NO.	REVISIONS	BY	DATE
		DRAWN BY K. RECH		SCALE as noted	
		PRINT DATE		DATE Sept.3, 2013	
		FILE NO. 12-23		REVISION 0	
					L2