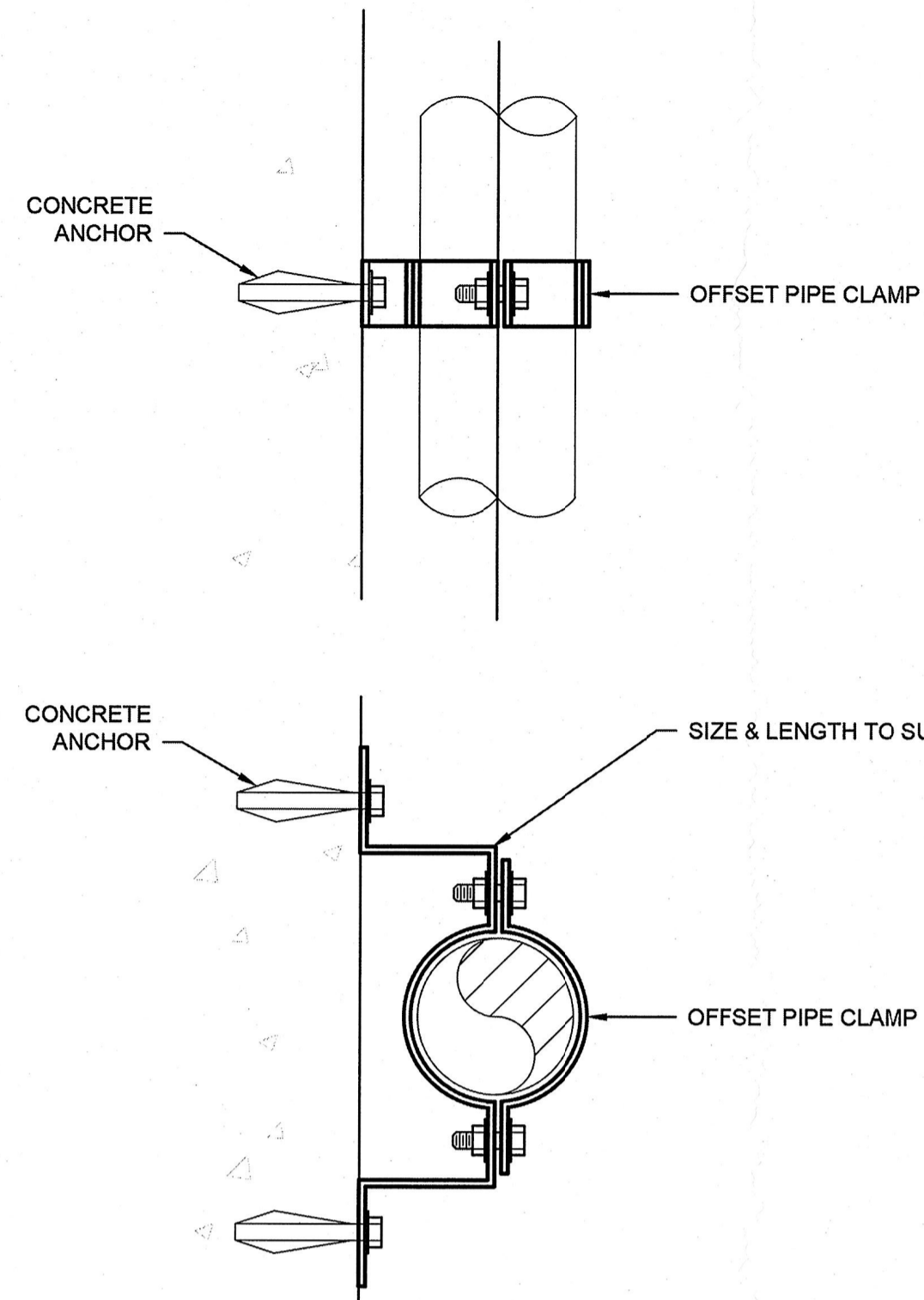


PIPE SIZE (mm)	ROD SIZE (mm)	MAX LOAD (kg)
25	9.4	280
50	9.4	280
75	12.0	510
100	16.0	800
150	20.0	1230
200	22.0	1710
250	25.0	2250
300	25.0	2250
350	25.0	2250
400	25.0	2250
450	25.0	2250
500	32.0	3630
600	32.0	3630

SAFETY FACTOR = 5

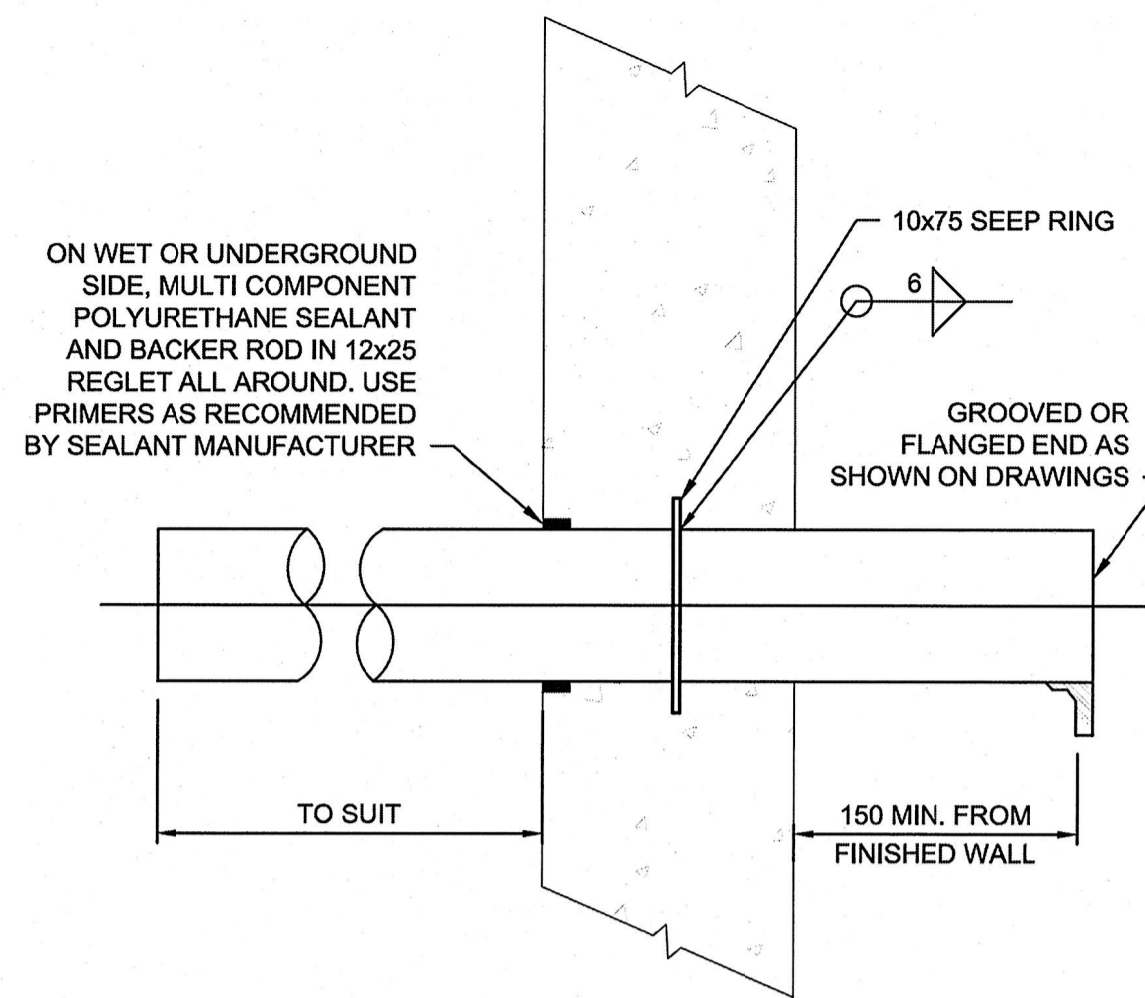
1 | PIPE SUPPORT DETAIL
NTS



NOTES:

- SUITABLE FOR PIPES 25Ø TO 300Ø
- GALVANIZE ALL METAL PARTS AND HARDWARE
- SUITABLE FOR WALL OR FLOOR SUPPORTED PIPE

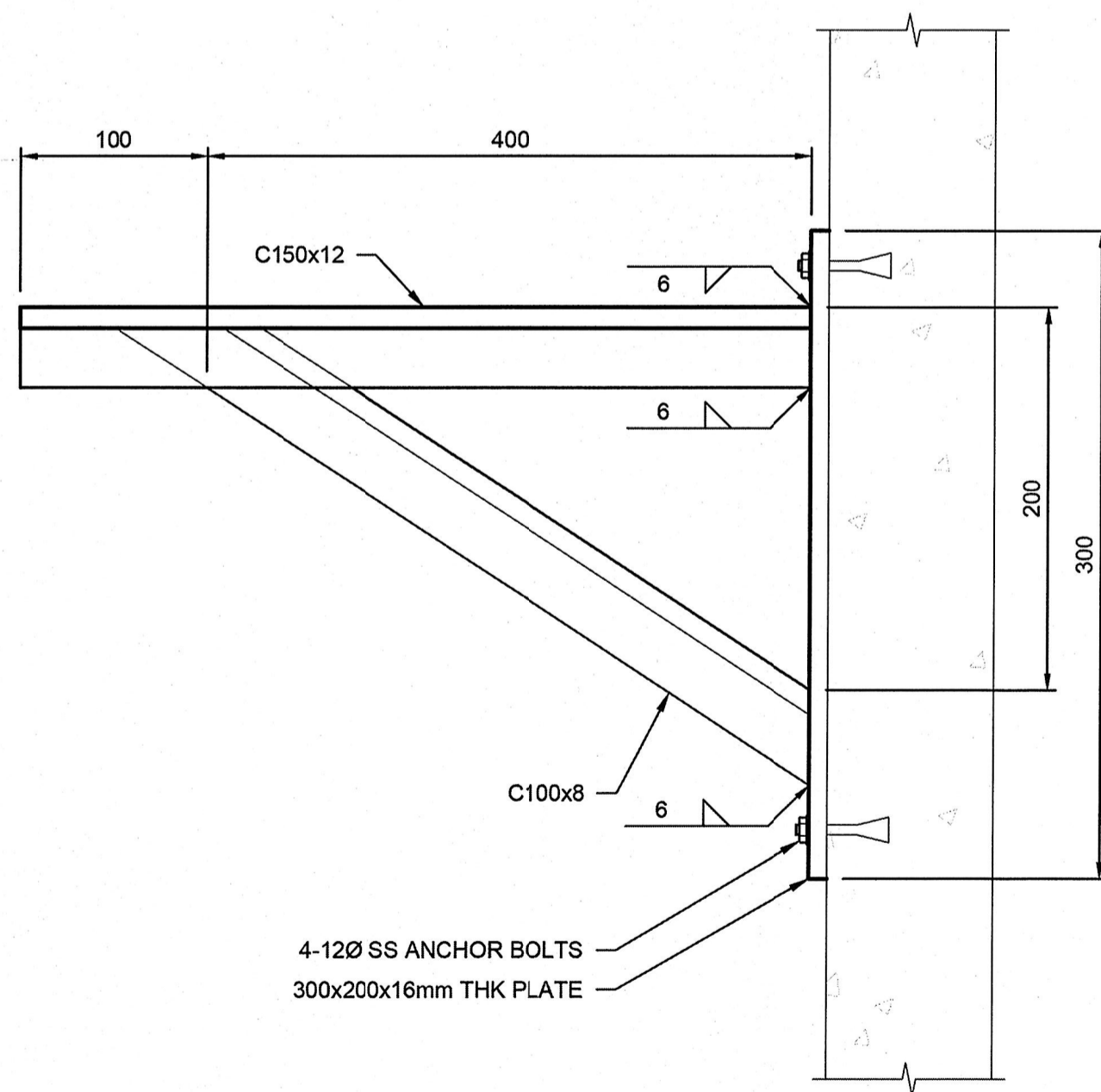
2 | PIPE SUPPORT DETAIL
NTS



NOTES:

- NO LONGITUDINAL MOVEMENT ALLOWED
- LIQUID SIDE MUST PASS LEAKAGE TEST UNDER PRESSURE TO WHICH STRUCTURE IS SUBJECTED.
- SUITABLE FOR WALL OR FLOOR APPLICATIONS

3 | WALL PENETRATION DETAIL
NTS



4 | PIPE SUPPORT DETAIL
NTS

803-9-1

AECOM REVIEW DRFT CHK

AECOM/NO. REFERENCE

METRIC
WHOLE NUMBERS INDICATE MILLIMETRES
DECIMALIZED NUMBERS INDICATE METRES



BID OPPORTUNITY NO. 712-2013

LOCATION APPROVED UNDERGROUND STRUCTURES SUPV. U/G STRUCTURES COMMITTEE DATE NOTE: LOCATION OF UNDERGROUND STRUCTURES AS SHOWN ARE BASED ON THE BEST INFORMATION AVAILABLE. BUT NO GUARANTEE IS GIVEN THAT ALL EXISTING UTILITIES ARE SHOWN OR THAT THE GIVEN LOCATIONS ARE EXACT. CONFIRMATION OF EXISTENCE AND EXACT LOCATION OF ALL SERVICES MUST BE OBTAINED FROM THE INDIVIDUAL UTILITIES BEFORE PROCEEDING WITH CONSTRUCTION.	B.M. ELEV. NO. REVISIONS DATE BY		DESIGNED BY CL CHECKED BY DME	ENGINEER'S SEAL 	THE CITY OF WINNIPEG PUBLIC WORKS DEPARTMENT PLEISSIS ROAD TWINNING AND GRADE SEPARATION AT CN REDDITT SUBDIVISION CONTRACT 3 PUMPING STATION PROCESS MECHANICAL STANDARD DETAILS	CITY DRAWING NUMBER U238-2014-2372 SHEET 2 OF 5
			DRAWN BY SRG APPROVED BY [Signature] HOR. SCALE: AS NOTED VERTICAL: AS NOTED RELEASED FOR CONSTRUCTION BY: [Signature]	CONSULTANT DRAWING NO. 60273041-SHT-01-Con3-P-1002		P-1002