

AI - 848264  
2013-07-18  
AECOM REVIEW  
DRFT CHK  
C:\DOCUMENTS AND SETTINGS\STEPHEN'S APPLICATION DATA\AUTOCAD\2012\CONV\PROJECTS\101 STILES\10556-H-846.CTB  
P:\60273041\000-CADD\02-SHEETS\101-01-CO3-M-0004.DWG

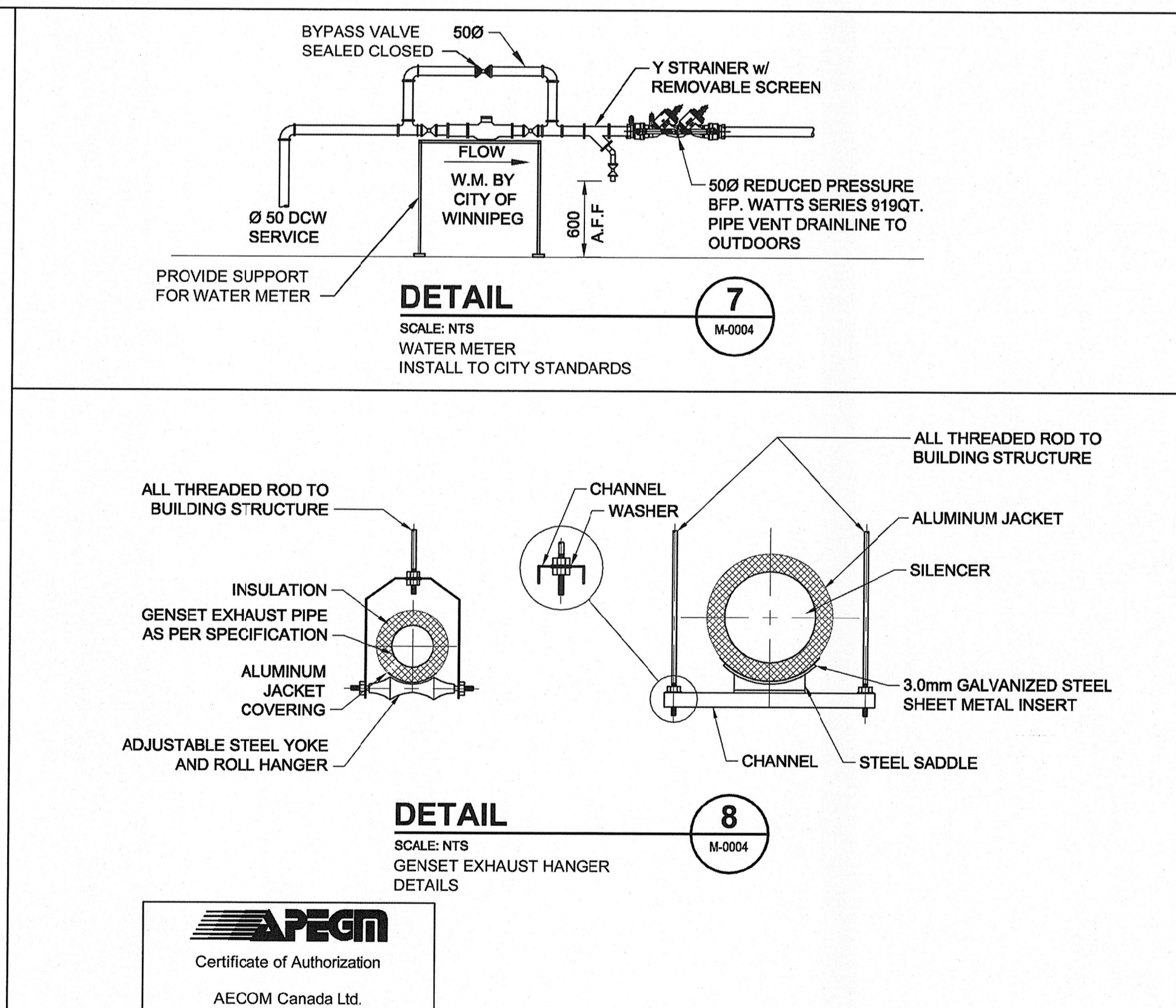
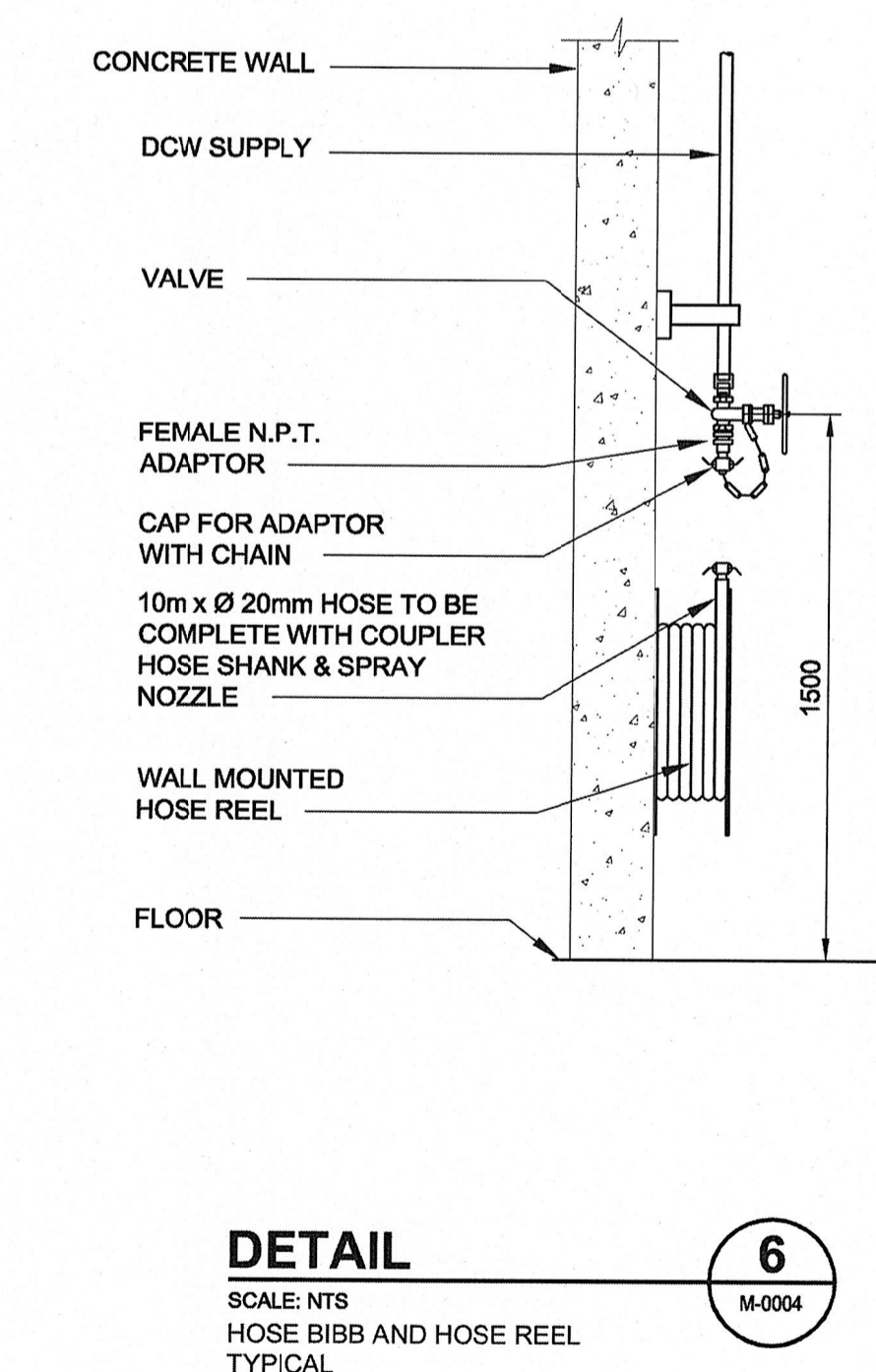
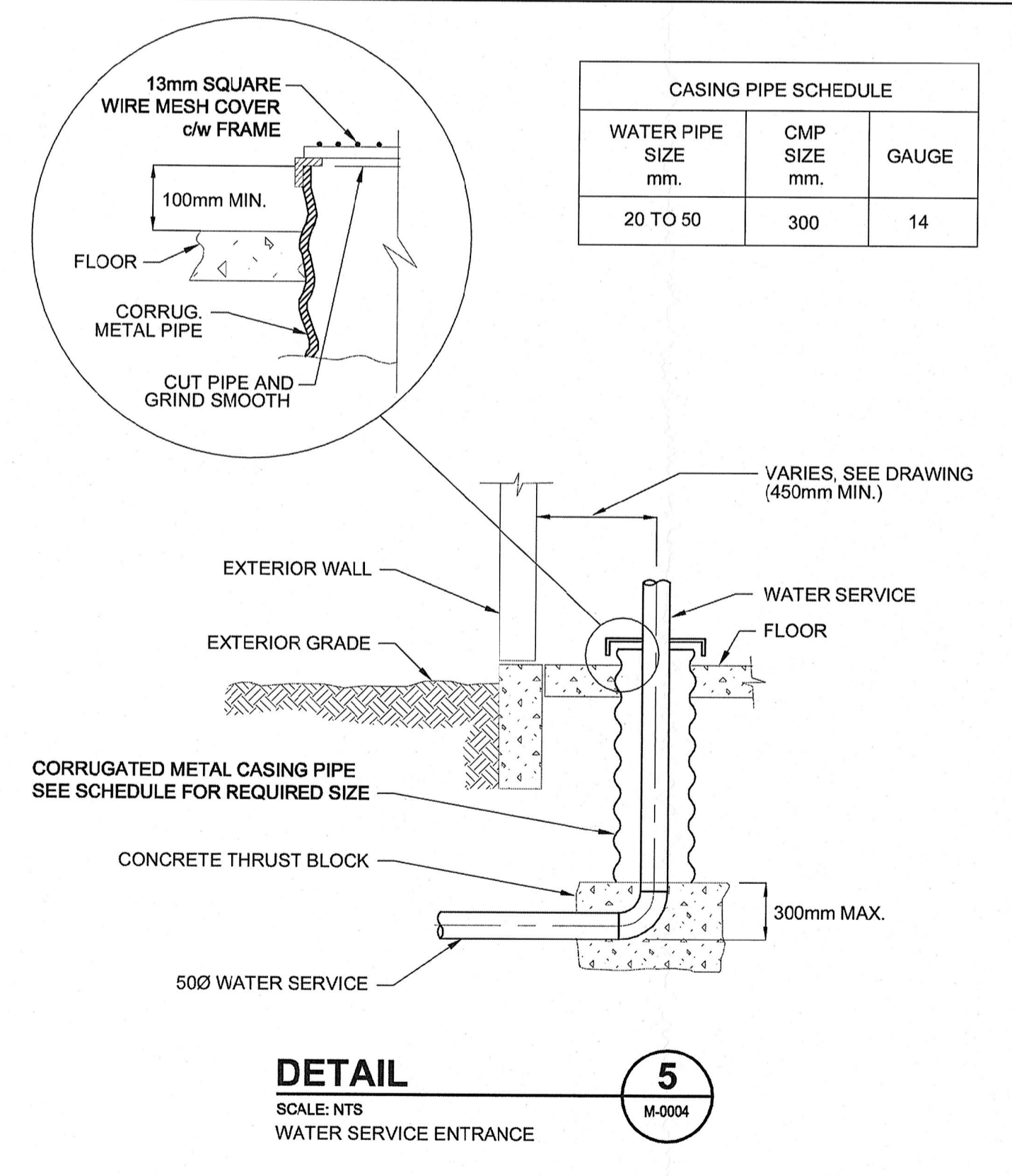
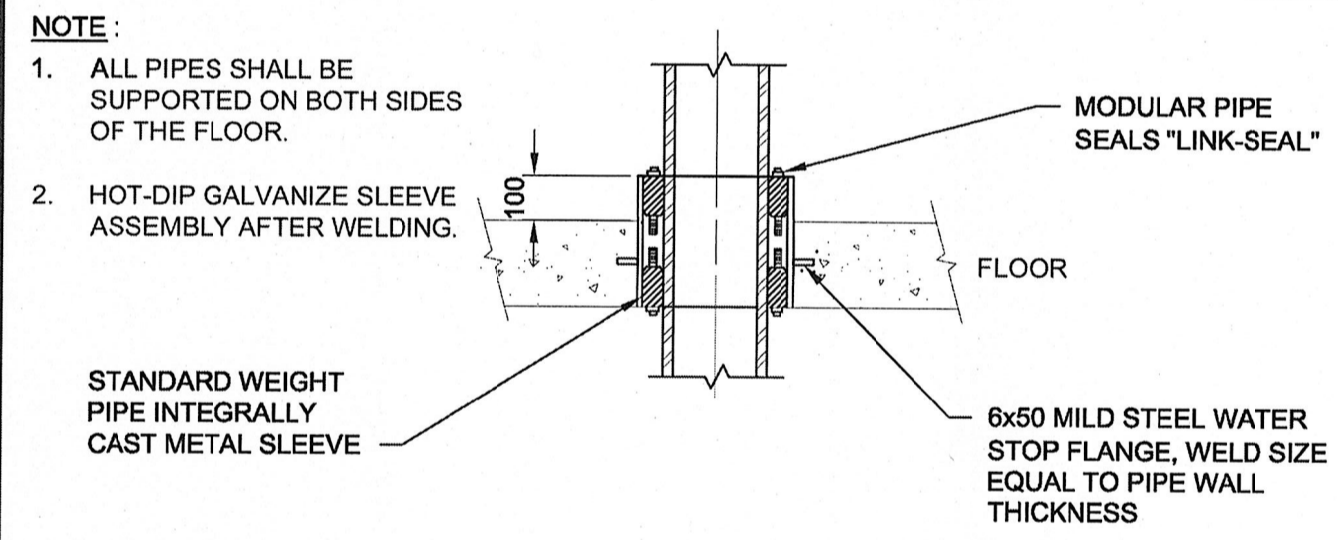
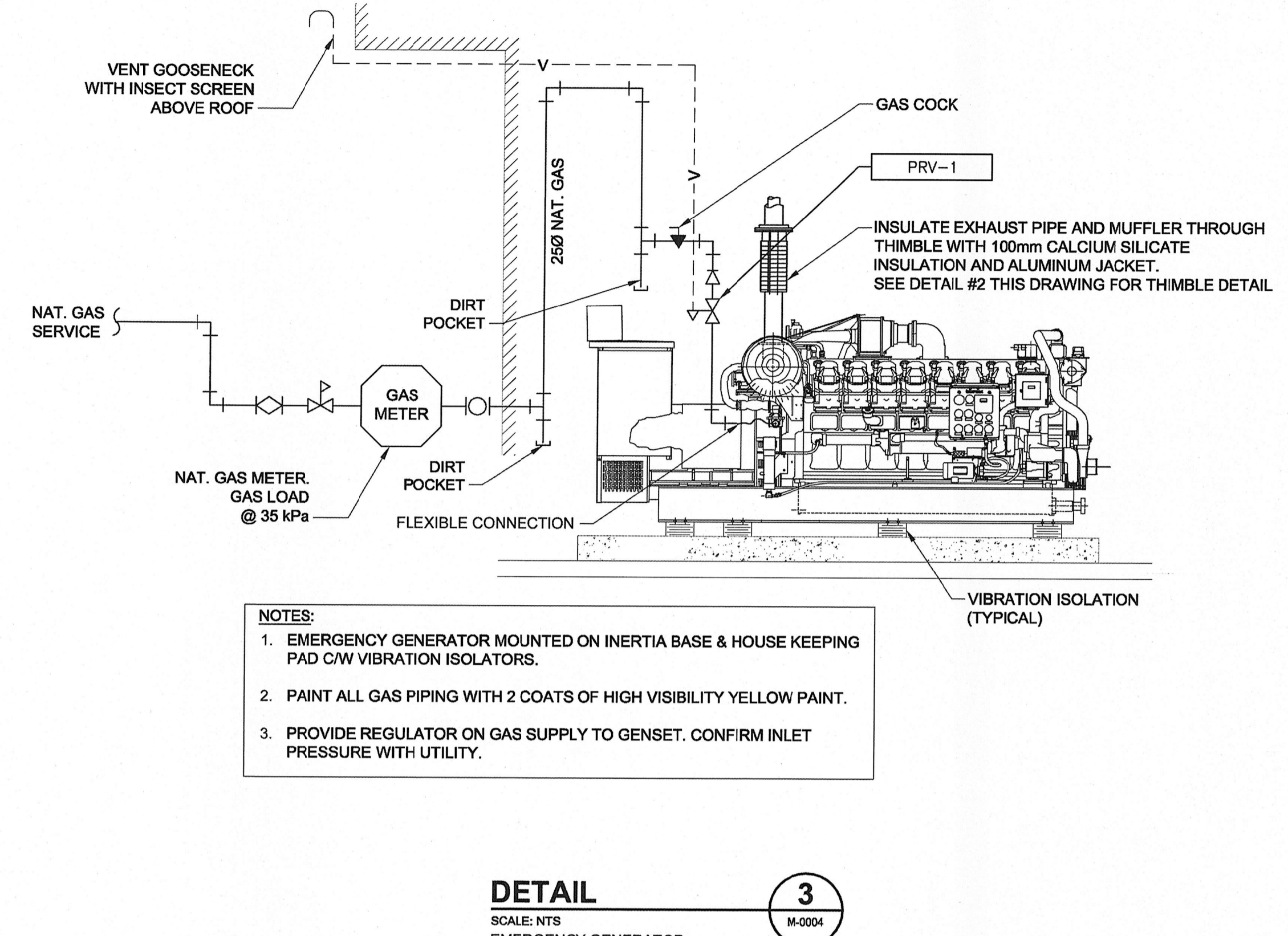
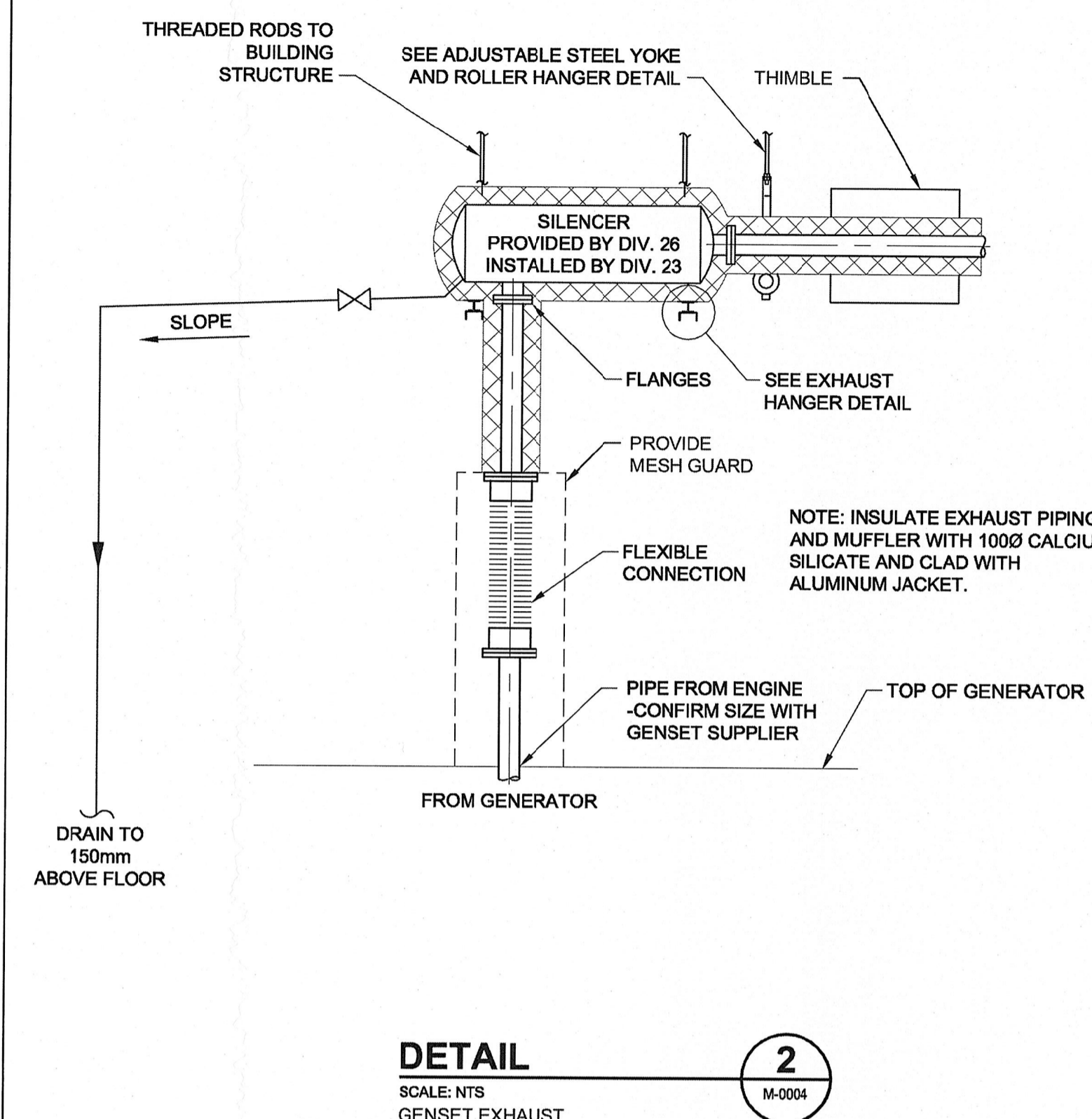
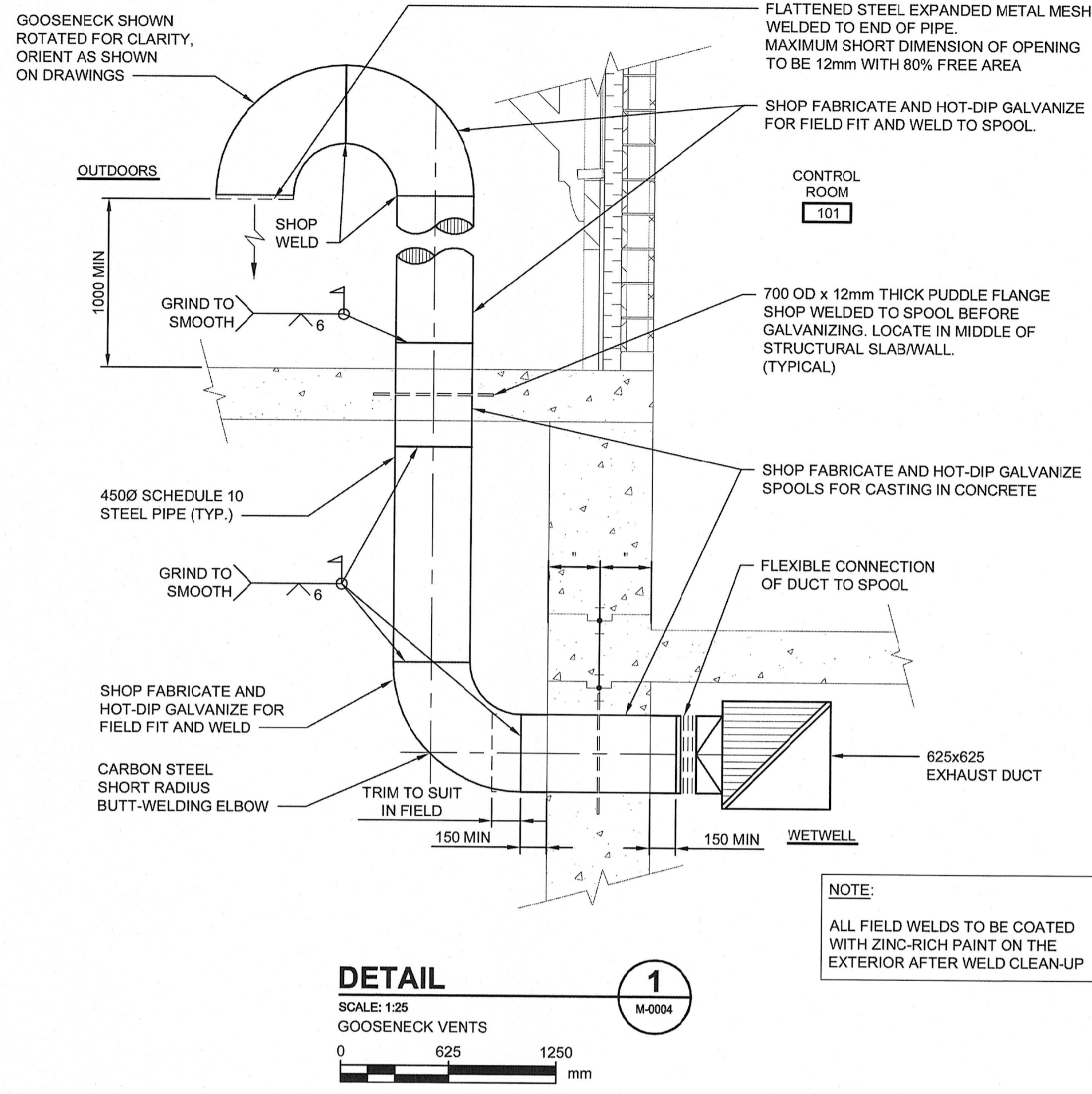


TABLE OF "LINK-SEAL" SERIES FOR STEEL PIPE O.D. (FOR OTHER SIZES SEE SUPPLIER'S TABLES)

PVC PIPE		WALL SLEEVE		LINK-SEAL	
SIZE	ACTUAL O.D. mm	I.D. mm	LINKS/ SEAL	MODEL NO.	
13	21.3	52.5	4	LS-200-C	
20	26.7	62.7	6	LS-275-C	
25	33.4	62.7	5	LS-200-C	
32	42.2	77.9	9	LS-275-C	
40	48.3	87.6	5	LS-300-C	
50	60.3	102.3	6	LS-300-C	
75	88.9	128.2	9	LS-300-C	
100	114.3	154.1	11	LS-300-C	
125	141.3	202.7	6	LS-425-C	
150	168.3	257.1	7	LS-400-C	
200	219.1	304.8	12	LS-475-C	

APPLICATION NOTES:

- CONCRETE FLOOR
- STEEL, STAINLESS STEEL, DUCTILE IRON, PVC OR FRP PIPE; NON-INSULATED.
- CONDITION a) NON-HAZARDOUS TO HAZARDOUS AREAS

**DETAIL 4**  
SCALE: NTS  
M-0004

<p>LOCATION APPROVED UNDERGROUND STRUCTURES</p> <p>SUPV. U/G STRUCTURES COMMITTEE DATE</p> <p>NOTE: LOCATION OF UNDERGROUND STRUCTURES AS SHOWN ARE BASED ON THE BEST INFORMATION AVAILABLE. BUT NO GUARANTEE IS GIVEN THAT ALL EXISTING UTILITIES ARE SHOWN OR THAT THE GIVEN LOCATIONS ARE EXACT. CONFIRMATION OF EXISTENCE AND EXACT LOCATION OF ALL SERVICES MUST BE OBTAINED FROM THE INDIVIDUAL UTILITIES BEFORE PROCEEDING WITH CONSTRUCTION.</p>	<p>B.M. ELEV.</p> <table border="1"> <tr> <th>NO.</th> <th>ISSUED FOR TENDER</th> <th>DATE</th> <th>BY</th> </tr> <tr> <td>0</td> <td></td> <td>2013/01/16</td> <td>DRL</td> </tr> </table>	NO.	ISSUED FOR TENDER	DATE	BY	0		2013/01/16	DRL	<p><b>AECOM</b></p>	<p>ENGINEER'S SEAL</p> <p>PROVINCE OF MANITOBA</p> <p>STEPHEN PETERSON</p> <p>2013 Oct 15</p> <p>REGISTERED PROFESSIONAL ENGINEER</p>	<p><b>THE CITY OF WINNIPEG</b></p> <p>PUBLIC WORKS DEPARTMENT</p>
		NO.	ISSUED FOR TENDER	DATE	BY							
0		2013/01/16	DRL									
<p>DESIGNED BY RT</p> <p>DRAWN BY DRL</p> <p>HOR. SCALE: AS NOTED</p> <p>VERTICAL: RELEASED FOR CONSTRUCTION BY:</p>	<p>CHECKED BY CC</p> <p>APPROVED BY</p> <p>DATE 2013-07-12</p>	<p>CERTIFICATE OF AUTHORIZATION</p> <p>AECOM Canada Ltd.</p> <p>No. 4671 Date: 2013 Oct 15</p>	<p>CONSULTANT DRAWING NO. 60273041-SHT-01-CO3-M-0004.DWG</p>	<p>PLESSIS ROAD TWINNING AND GRADE SEPARATION AT CN REDDITT SUBDIVISION CONTRACT 3</p> <p>Mechanical DETAILS &amp; SCHEMATICS</p> <p>CITY DRAWING NUMBER U238-2014-2344 SHEET 04 OF 05</p> <p>M-0004</p>								

BID OPPORTUNITY NO. 712-2013