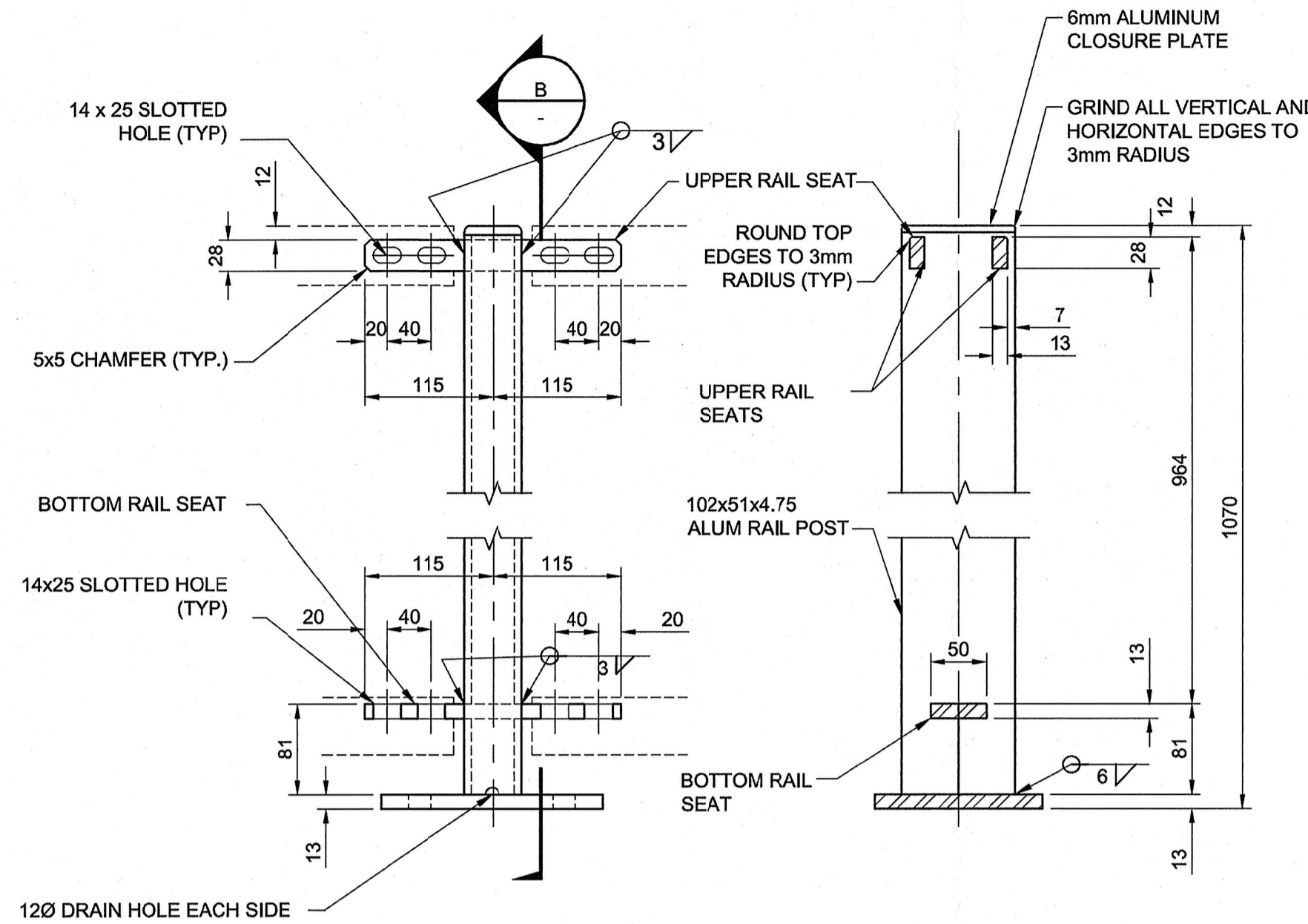
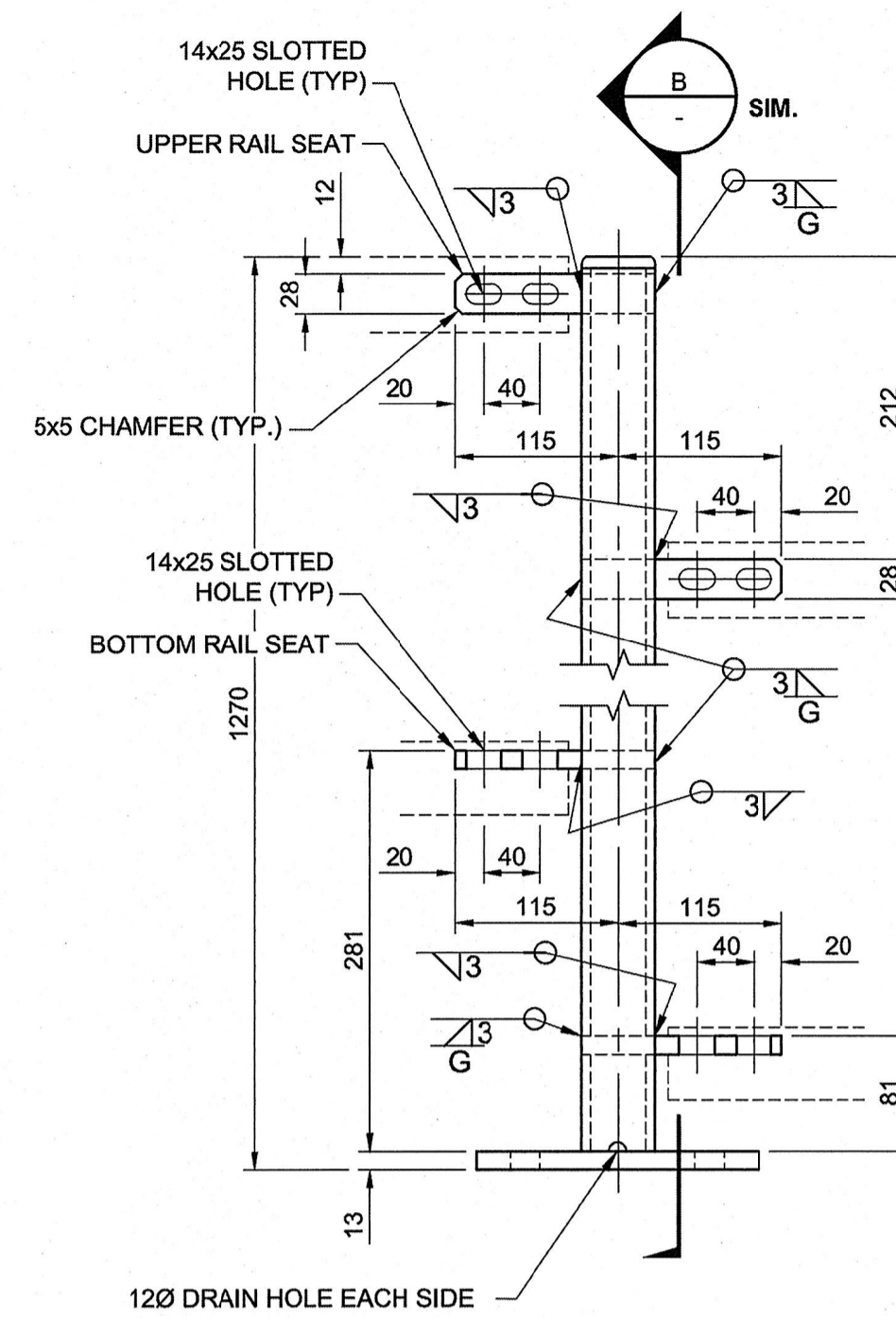


END POSTS
Scale 1:5

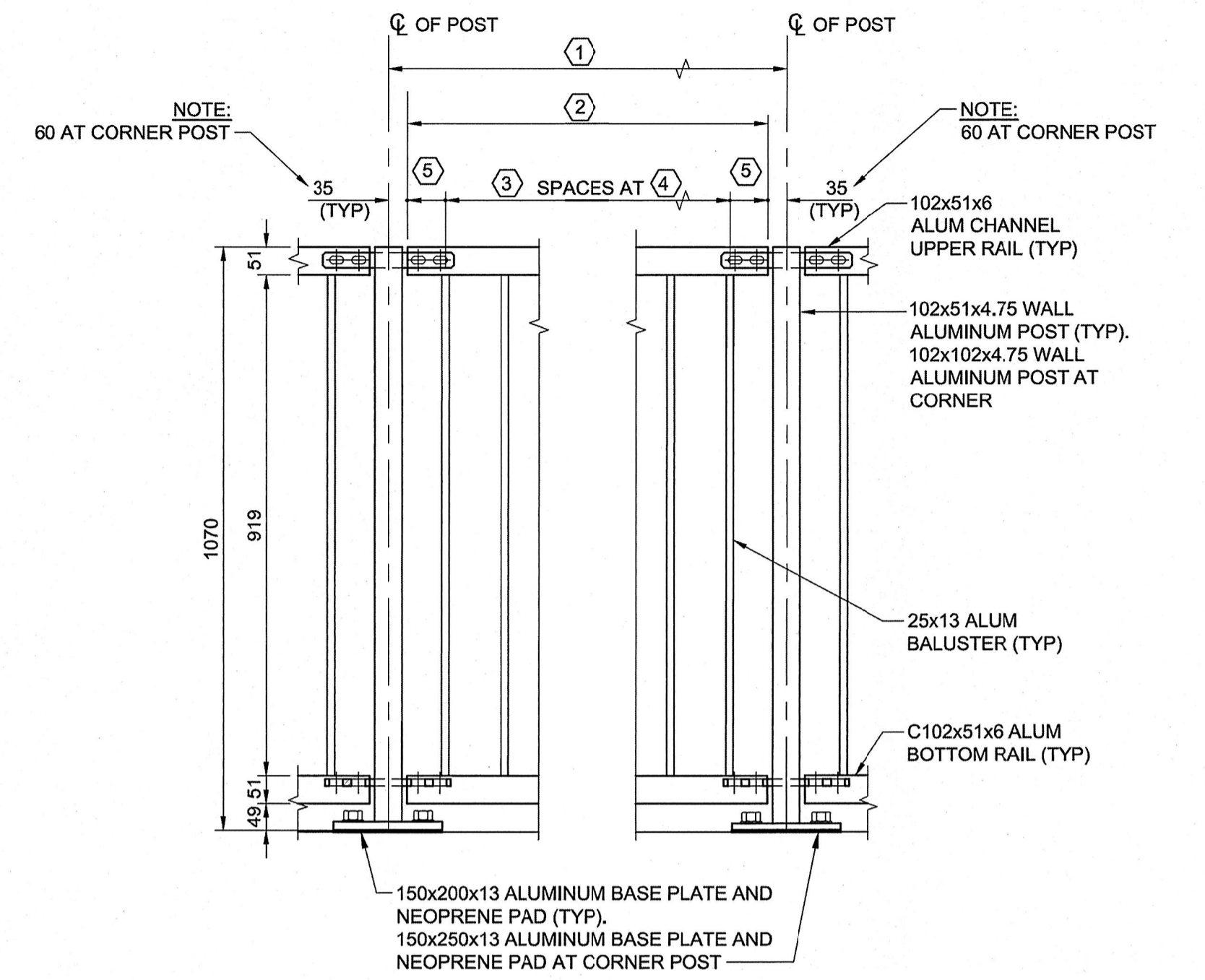


INTERMEDIATE POSTS
Scale 1:5

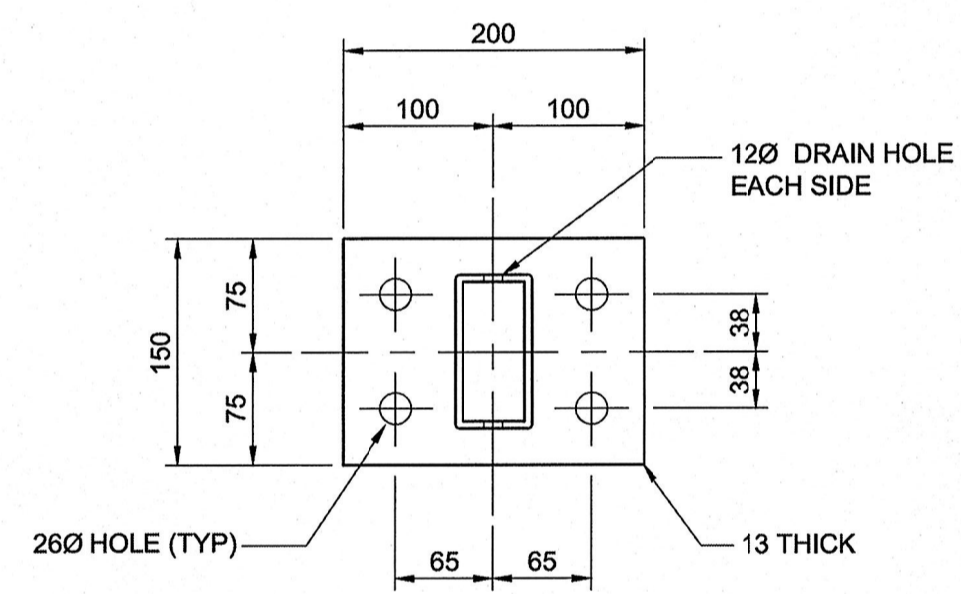
B SECTION
Scale 1:5



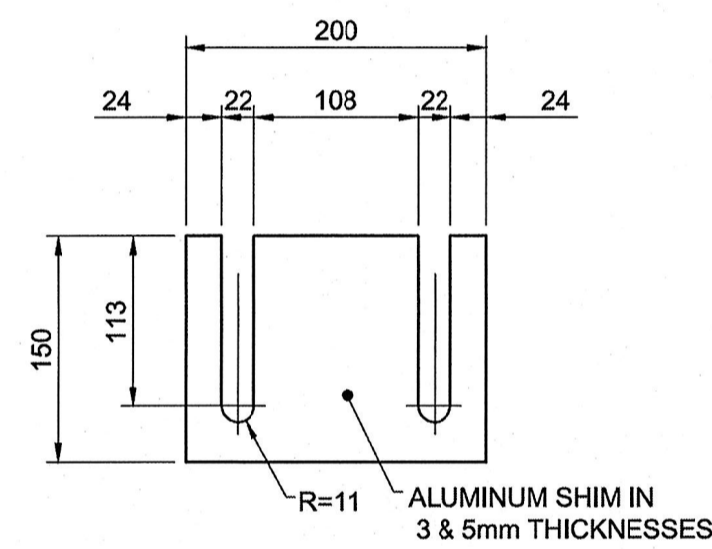
INTERMEDIATE STEP POST
Scale 1:5



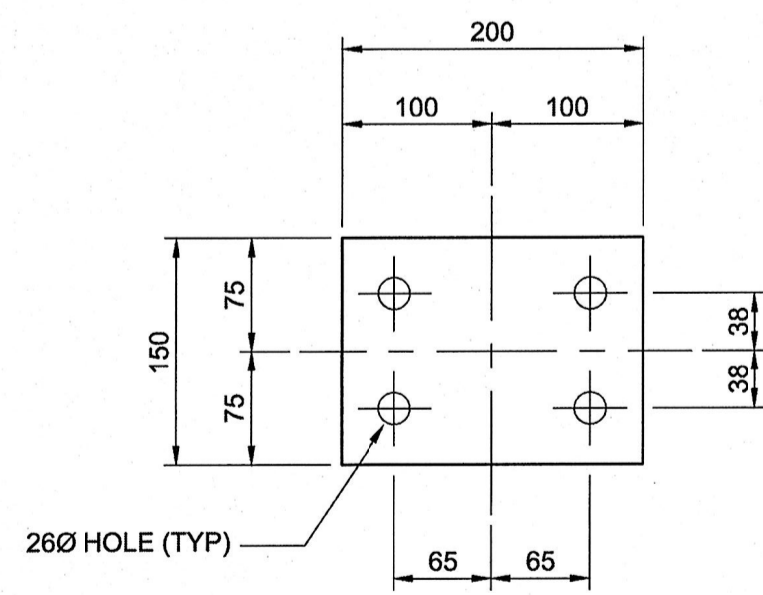
ELEVATION FOR PANEL TYPES 'A', 'B', 'C', 'D', & 'E'
Scale 1:10



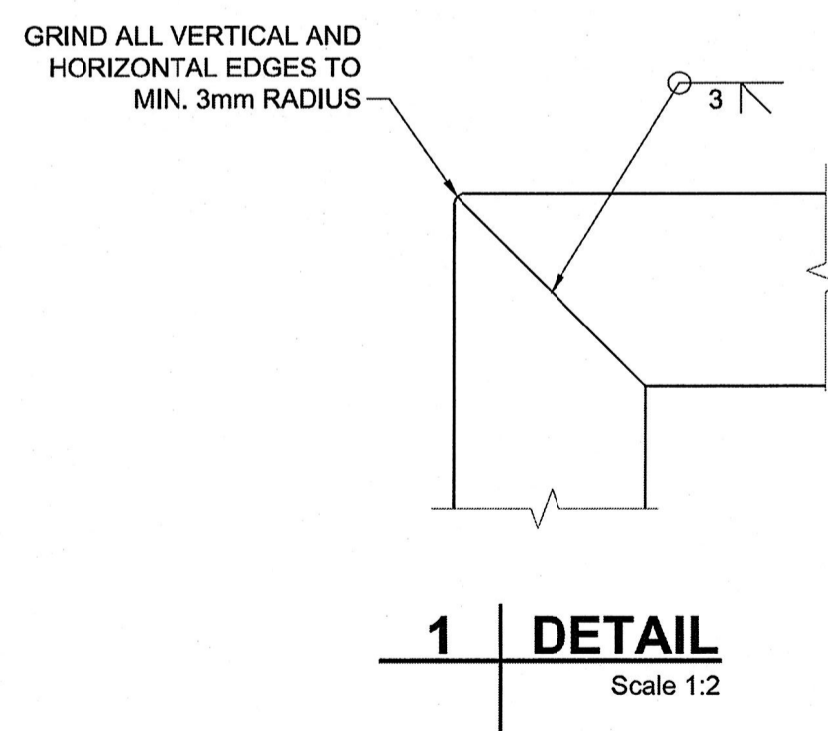
TYPICAL BASE PLATE DETAIL
Scale 1:5



ALUMINUM SHIM DETAIL
Scale 1:5



NEOPRENE PAD DETAIL
Scale 1:5



1 DETAIL
Scale 1:2

PANEL DATA - PLESSIS UNDERPASS PUMPING STATION					
PANEL TYPE	①	②	③	④	⑤
'A'	2440	2370	22	101	74
'B'	2440	2345	22	101	62
'C'	2020	1950	18	100	75
'D'	1600	1505	13	102	90
'E'	1600	1530	14	100	65
'F'	2100	2030	19	100	65

NOTES:

- THIS DRAWING TO BE READ IN CONJUNCTION WITH SHEET No. S-1010 AND THE SPECIFICATIONS.
- ALUMINUM EXTRUSIONS SHALL CONFORM TO ASTM B221, ALLOY 6351-T6. ALUMINUM PLATES SHALL CONFORM TO ASTM B221, ALLOY 5083. STAINLESS STEEL HEXAGONAL HEAD CAP SCREWS SHALL MEET THE ASTM A276, TYPE 430 REQUIREMENTS.
- M.I.G. WELDING PROCESS SHALL BE USED.
- RAIL POST AND BALUSTERS SHALL BE SET VERTICAL.
- ANTI-SEIZE COATING TO BE SUPPLIED AND APPLIED TO ALL THREADED COMPONENTS WHEN BEING ASSEMBLED, IE. LPS-3- MANUFACTURED BY HOLT-LOYD (CANADA) LTD. MARKHAM ONTARIO.
- SS DENOTES STAINLESS STEEL.
- ALL SLOTTED HOLES MUST BE FINISHED SMOOTH AND TRUE.
- PROVIDE TAMPER PROOF HARDWARE INCLUDING NYLON LOCKNUTS.
- PROVIDE A BITUMINOUS COATING IF ALUMINUM COMPONENTS ARE IN CONTACT WITH CONCRETE.

METRIC
WHOLE NUMBERS INDICATE MILLIMETRES
DECIMALIZED NUMBERS INDICATE METRES

BID OPPORTUNITY NO. 712-2013

AECOM REVIEW DRAFT CHK

AECOM STANDARDS

LOCATION APPROVED UNDERGROUND STRUCTURES

SUPV. U/G STRUCTURES COMMITTEE DATE

NOTE:
LOCATION OF UNDERGROUND STRUCTURES AS SHOWN ARE BASED ON THE BEST INFORMATION AVAILABLE. BUT NO GUARANTEE IS GIVEN THAT ALL EXISTING UTILITIES ARE SHOWN OR THAT THE GIVEN LOCATIONS ARE EXACT. CONFIRMATION OF EXISTENCE AND EXACT LOCATION OF ALL SERVICES MUST BE OBTAINED FROM THE INDIVIDUAL UTILITIES BEFORE PROCEEDING WITH CONSTRUCTION.

B.M. ELEV.	NO.	REVISIONS	DATE	BY
	0	ISSUED FOR TENDER	13/10/15	Wjd

AECOM

DESIGNED BY	SBB	CHECKED BY	<i>[Signature]</i>
DRAWN BY	KLC	APPROVED BY	<i>[Signature]</i>
HOR. SCALE:	AS NOTED	RELEASED FOR CONSTRUCTION BY:	
VERTICAL:	AS NOTED	DATE	

ENGINEER'S SEAL
PROVINCE OF MANITOBA
S.B. BISWANGER
REGISTERED PROFESSIONAL ENGINEER
CONSULTANT DRAWING NO.
60273041-SHT-01-Con3-S-1010

THE CITY OF WINNIPEG PUBLIC WORKS DEPARTMENT

PLESSIS ROAD TWINNING AND GRADE SEPARATION AT CN REDDITT SUBDIVISION CONTRACT 3

PUMPING STATION HANDRAIL DETAILS SHEET 1

CITY DRAWING NUMBER U238-2014-2339
SHEET 9 OF 10

S-1009

APECA
Certificate of Authorization
AECOM Canada Ltd.
No. 4671 Date: 2013/10/15