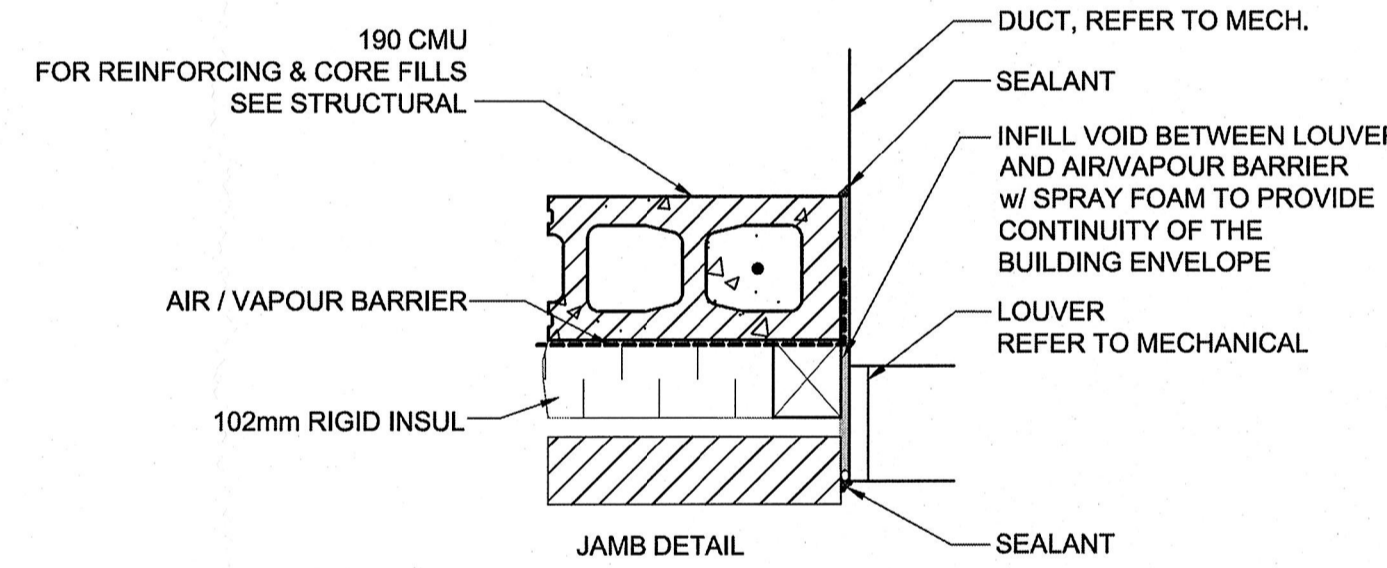
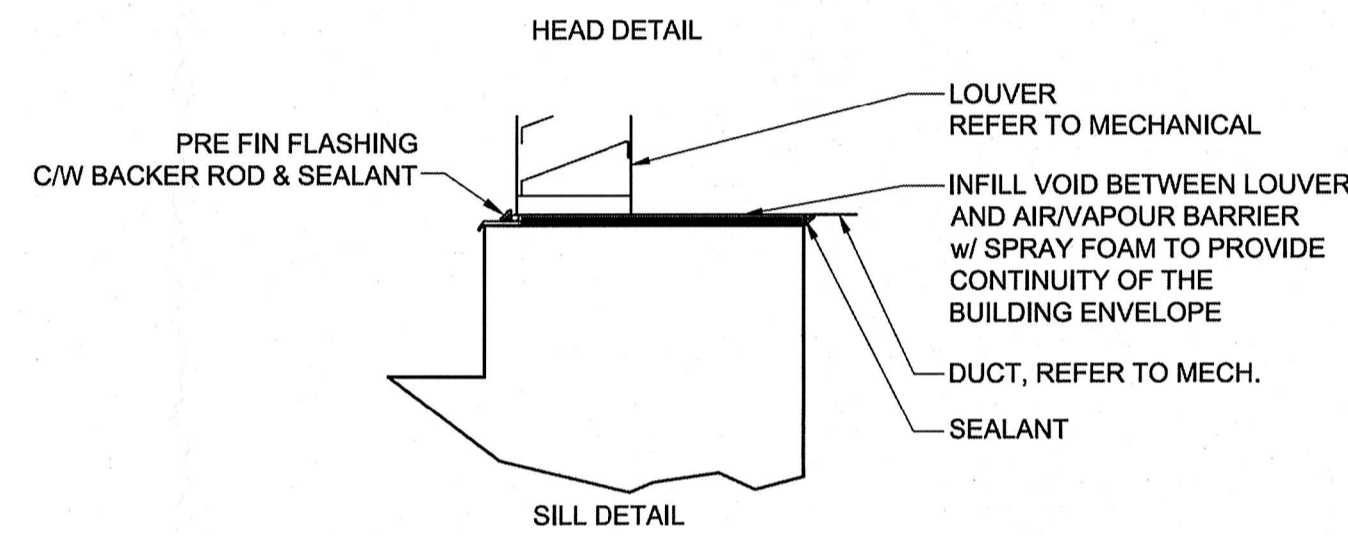
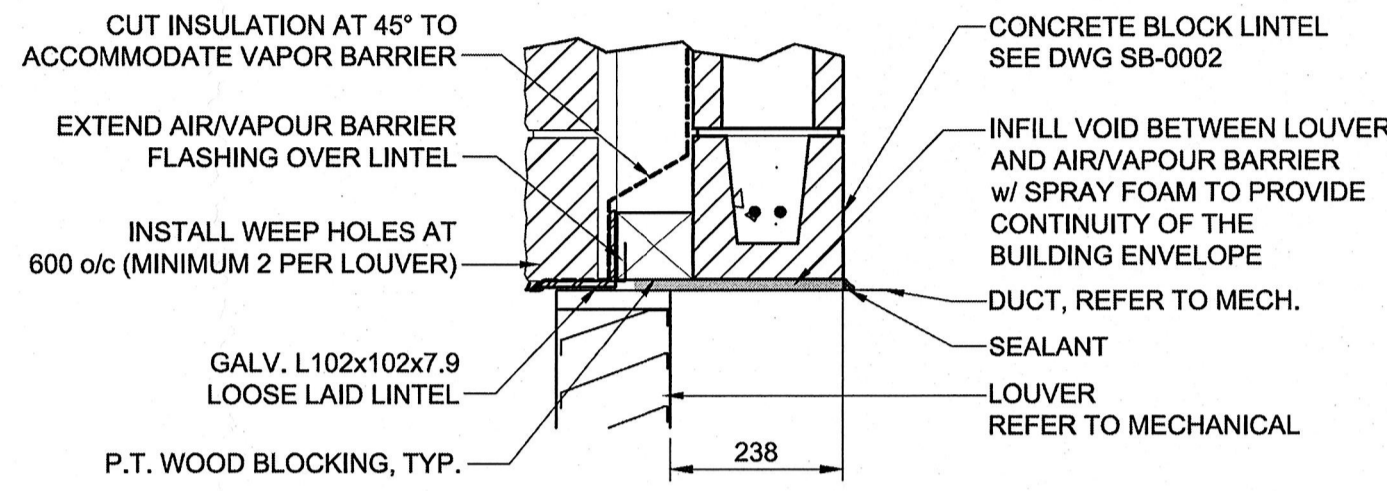
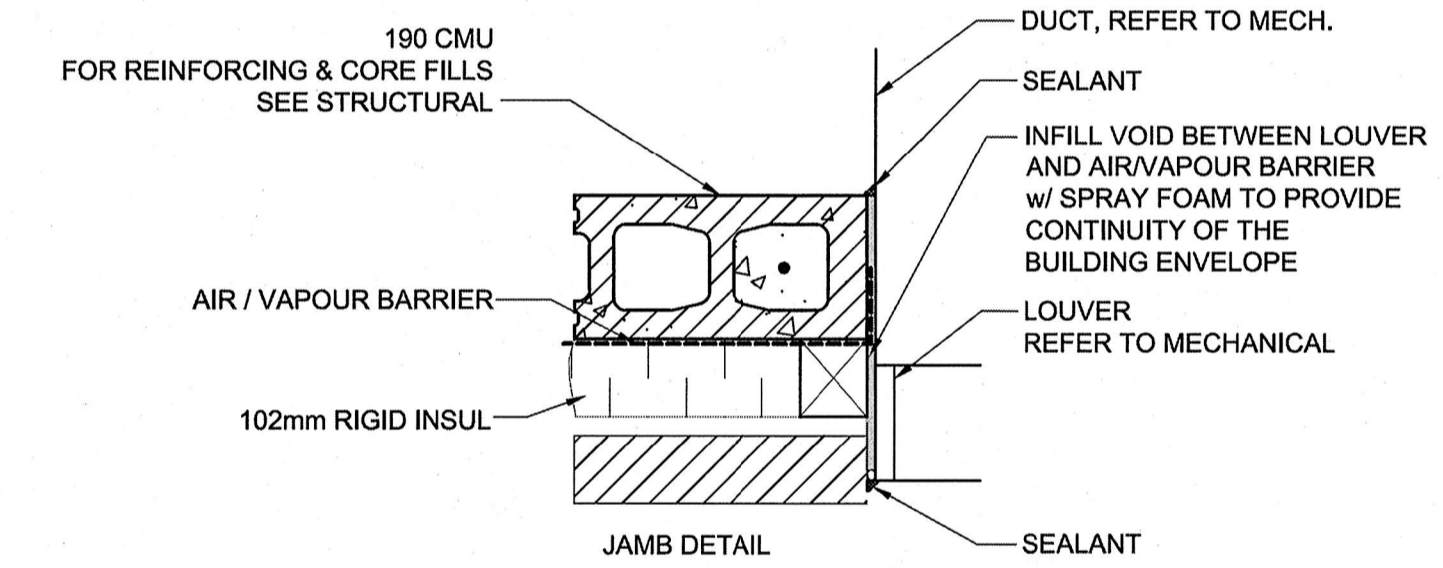
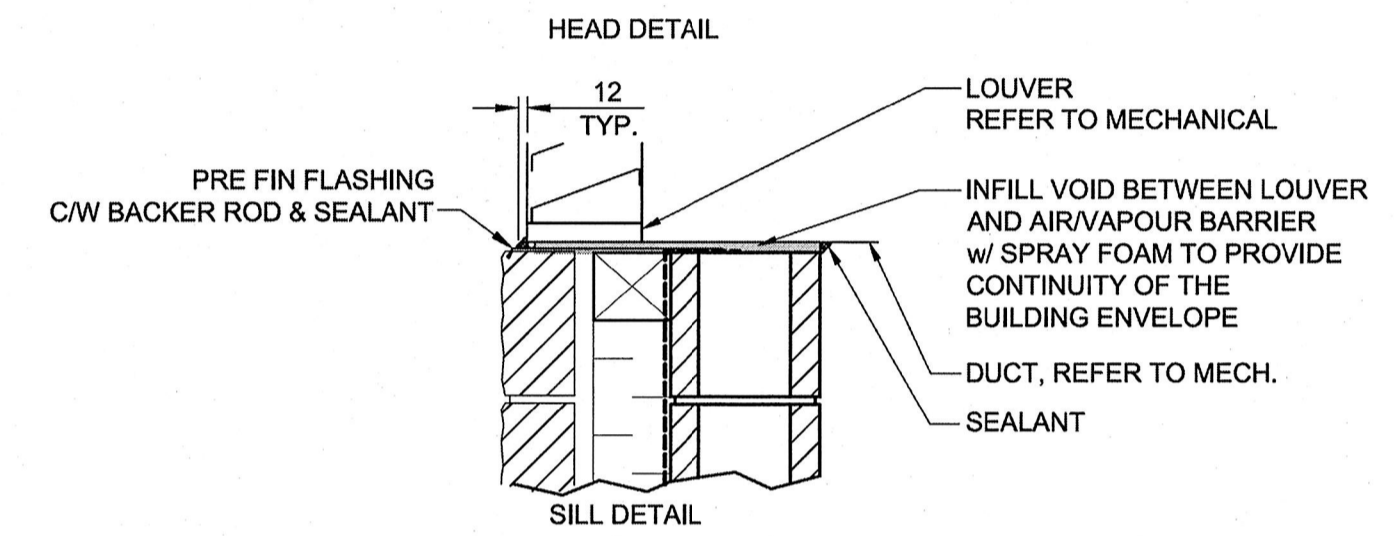
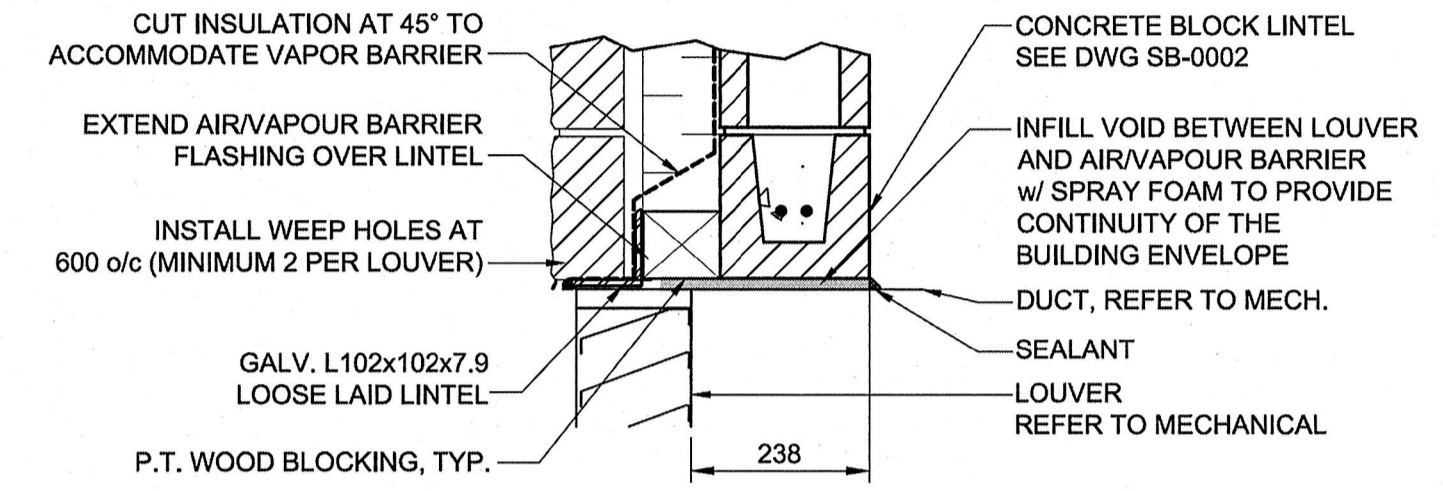


**7 | STD DETAIL**  
SB-0008 1:10  
EXTERIOR DOUBLE DOOR JAMB



**8 | STD DETAIL**  
SB-0008 1:10  
EXTERIOR LOUVER, LOUVER AT GRIDLINE '1'



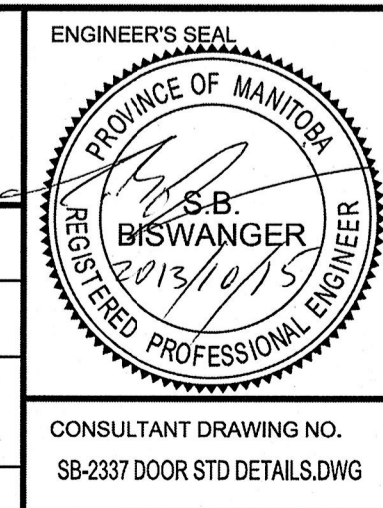
**9 | STD DETAIL**  
SB-0008 1:10  
TYPICAL EXTERIOR LOUVER DETAIL



BID OPPORTUNITY NO. 712-2013

LOCATION APPROVED UNDERGROUND STRUCTURES		B.M. ELEV.	
SUPV. U/G STRUCTURES COMMITTEE	DATE		
NOTE: LOCATION OF UNDERGROUND STRUCTURES AS SHOWN ARE BASED ON THE BEST INFORMATION AVAILABLE. BUT NO GUARANTEE IS GIVEN THAT ALL EXISTING UTILITIES ARE SHOWN OR THAT THE GIVEN LOCATIONS ARE EXACT. CONFIRMATION OF EXISTENCE AND EXACT LOCATION OF ALL SERVICES MUST BE OBTAINED FROM THE INDIVIDUAL UTILITIES BEFORE PROCEEDING WITH CONSTRUCTION.			
NO.	ISSUED FOR TENDER	DATE	BY
0	ISSUED FOR TENDER	13/10/15	KK
NO.	REVISIONS	DATE	BY
		2013-07-12	

<b>AECOM</b>	
DESIGNED BY	KK
CHECKED BY	<i>[Signature]</i>
DRAWN BY	KK
APPROVED BY	<i>[Signature]</i>
HOR. SCALE:	AS NOTED
VERTICAL:	AS NOTED
RELEASED FOR CONSTRUCTION BY:	
DATE	2013-07-12



<b>THE CITY OF WINNIPEG PUBLIC WORKS DEPARTMENT</b>	
PLESSIS ROAD TWINNING AND GRADE SEPARATION AT CN REDDITT SUBDIVISION CONTRACT 3	
CITY DRAWING NUMBER U238-2014-2328	SHEET 08 OF 08
STRUCTURAL SUPERSTRUCTURE WALL OPENING STD DETAILS	
<b>SB-0008</b>	