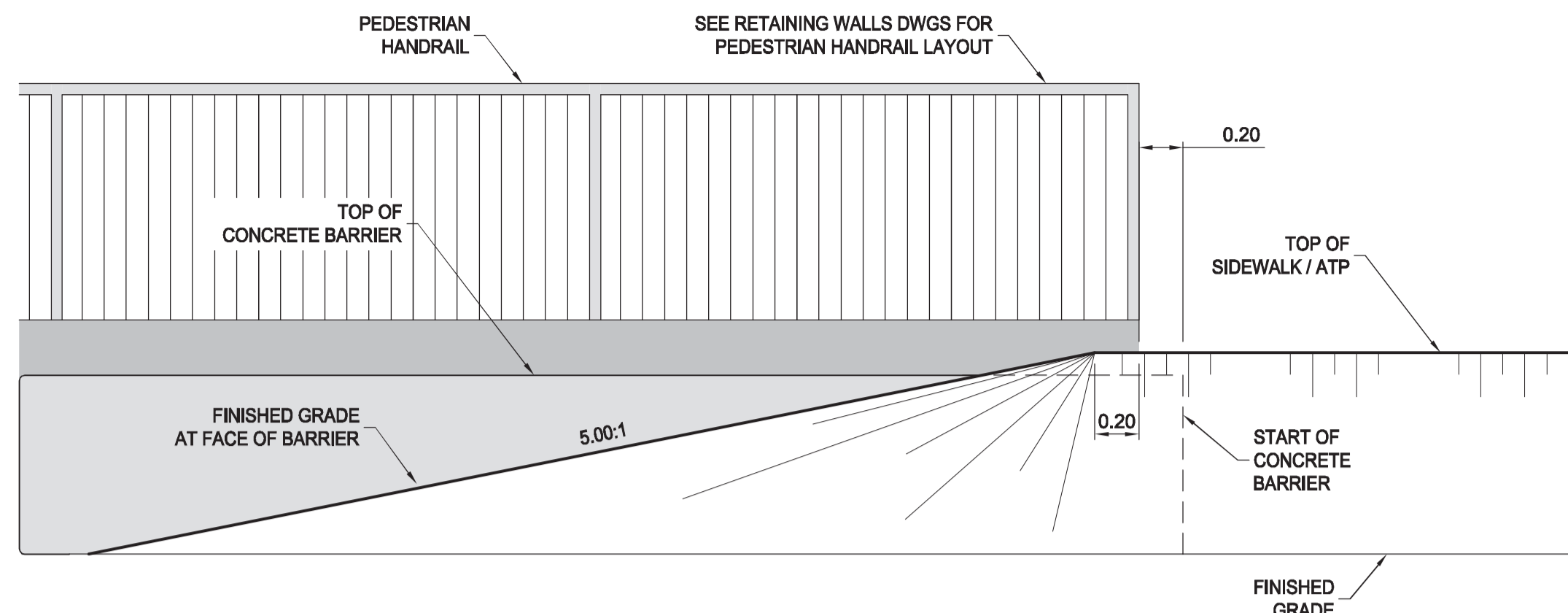
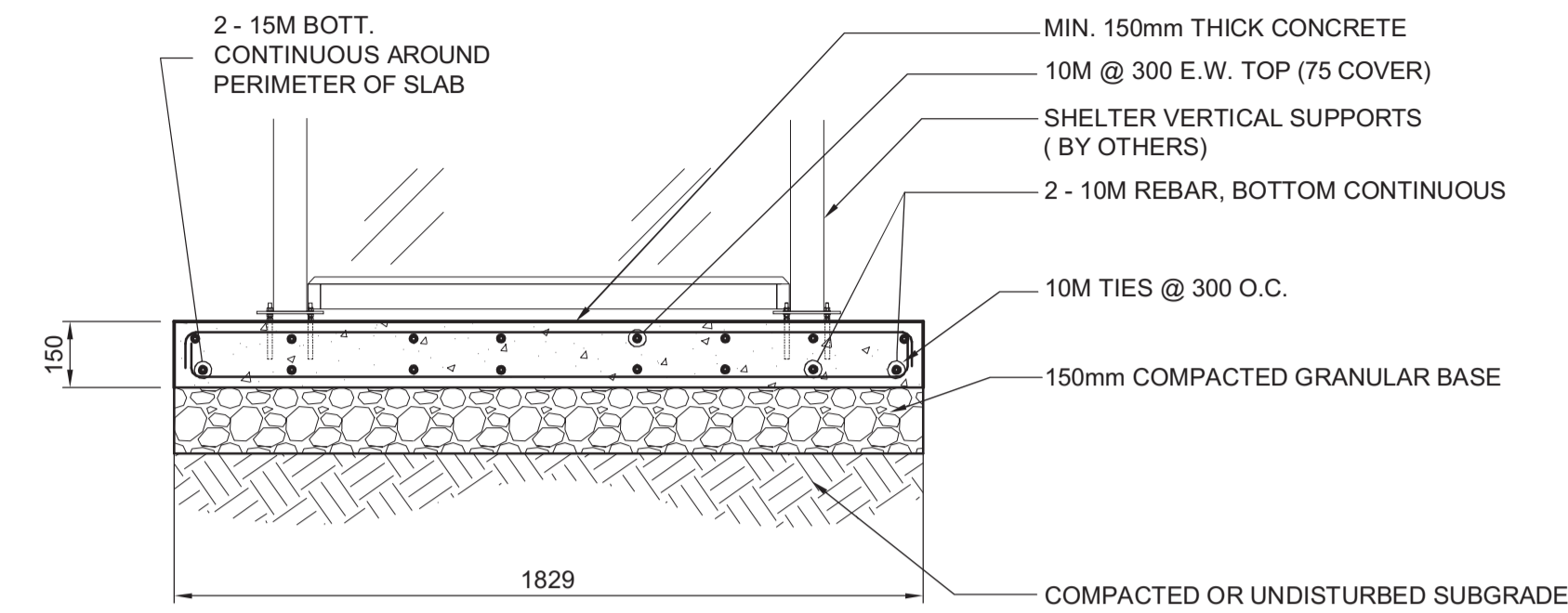


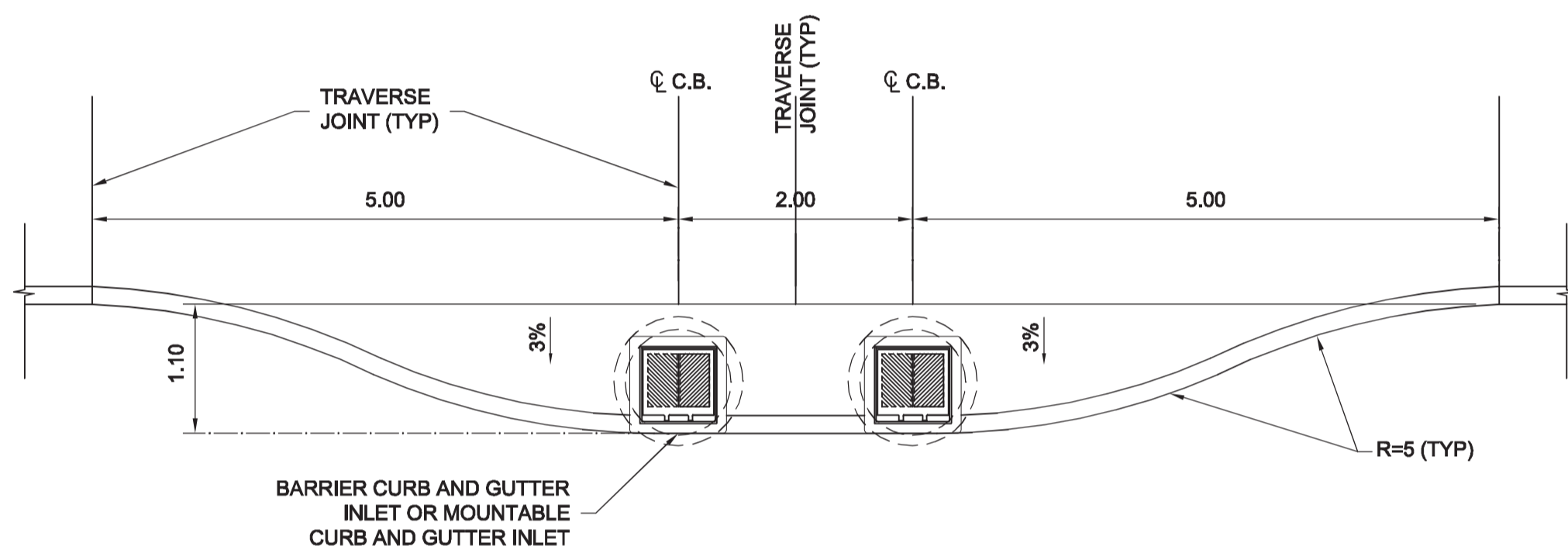
1 TRANSITION SLAB - CONC. TO ASP. ROADWAY
 CT-0026 & CT-0039 Scale: H-1:50 V-1:25



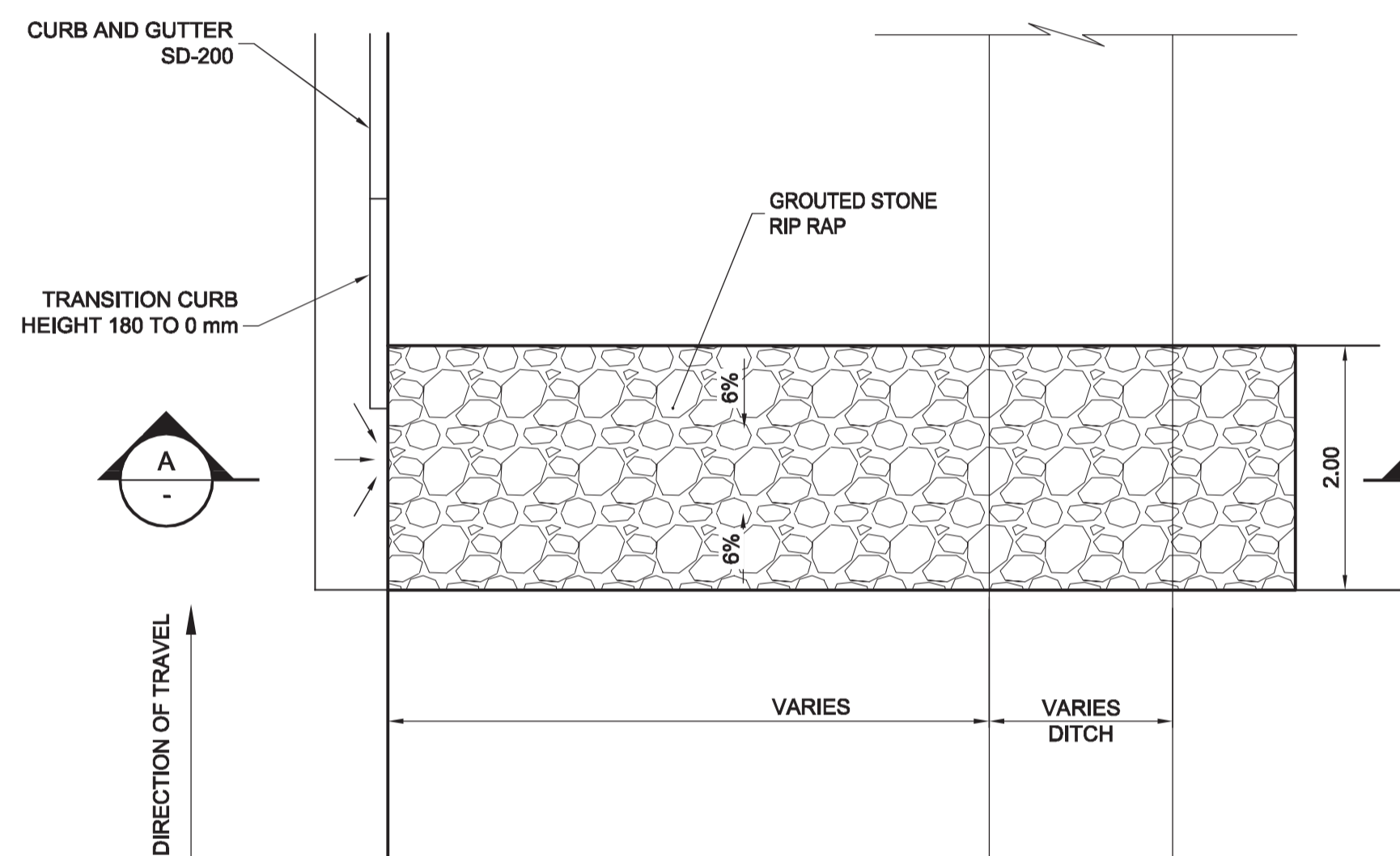
4 END OF BARRIER GRADING
 CT-0026 & CT-0029 Scale: 1:25



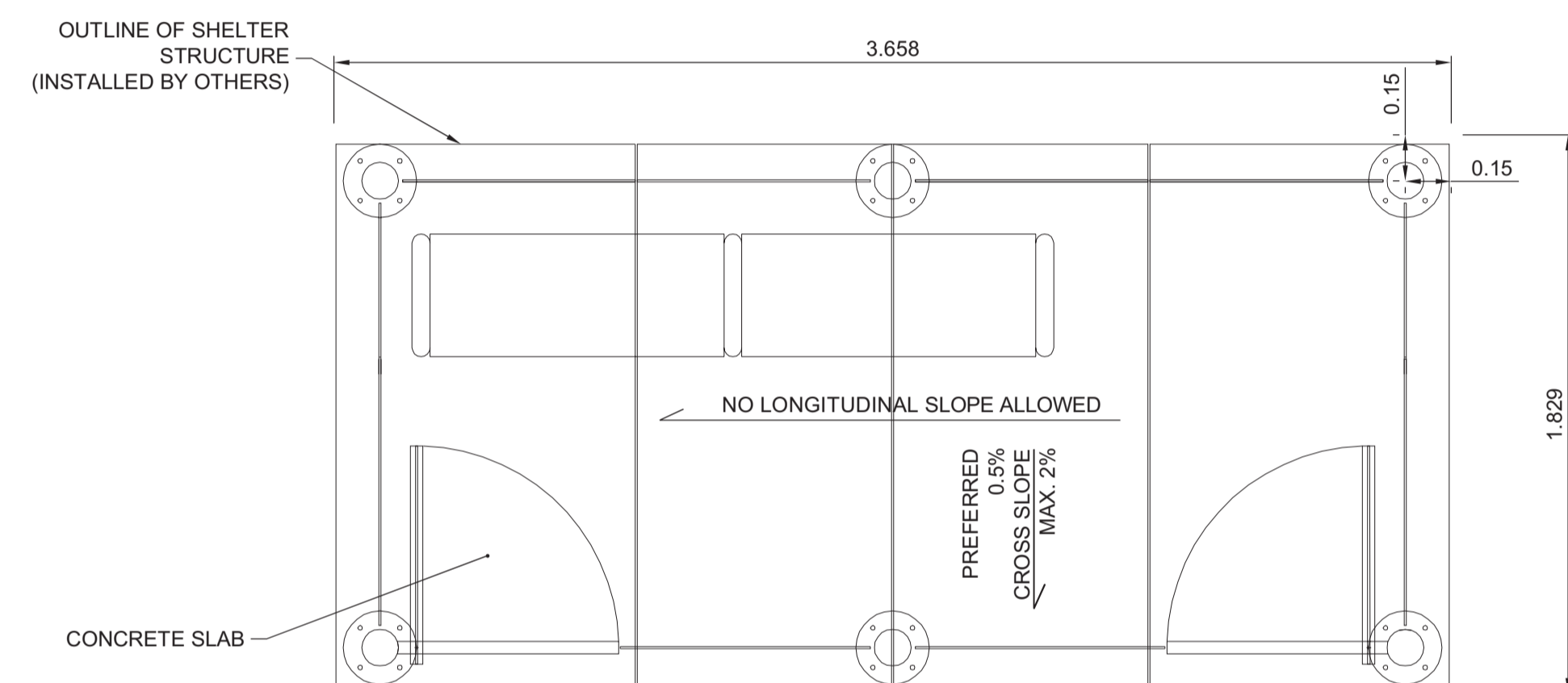
B TRANSIT SHELTER FOUNDATION SECTION
 CT-0043 NTS



2 DUAL CATCH BASIN WITH TURNOUT (POCKET)
 CT-0026 CT-0029 CT-0032 SCALE 1:50



5 GROUDED RIPRAP CHANNEL
 CT-0024 & CT-0025 NTS



6 TRANSIT SHELTER FOUNDATION PLAN
 CT-0043 NTS

METRIC

WHOLE NUMBERS INDICATE MILLIMETRES
 DECIMALIZED NUMBERS INDICATE METRES

WARNING

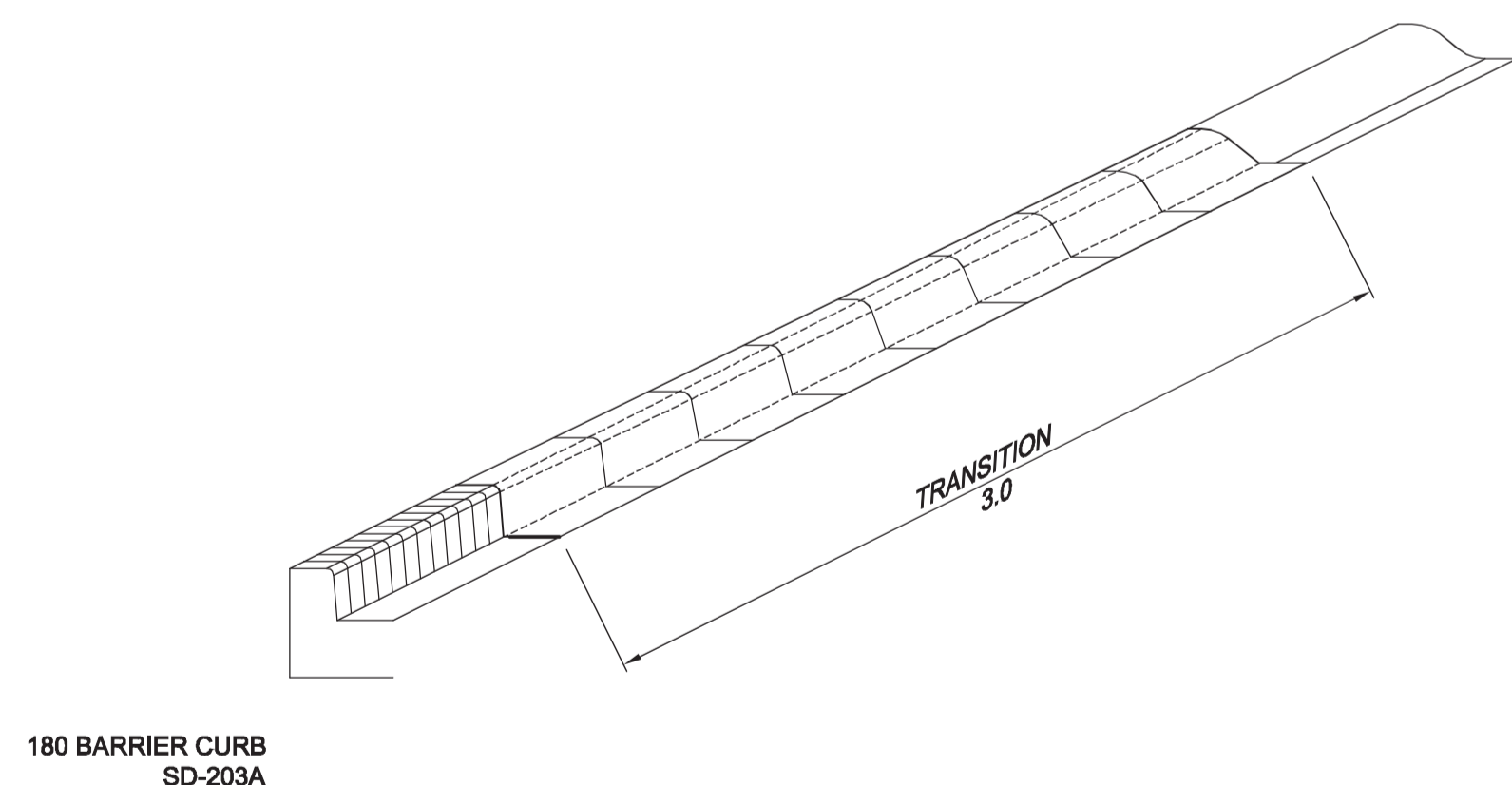
IF POWER EQUIPMENT OR EXPLOSIVES ARE TO BE USED FOR EXCAVATION ON THIS PROJECT THE CONTRACTOR MUST:

1. NOTIFY THE GAS COMPANY OF THE PROPOSED LOCATION OF EXCAVATION.
2. TAKE PRECAUTION TO AVOID DAMAGE TO GAS COMPANY INSTALLATIONS SEE PROVINCIAL REGULATION 140/22 FOR DETAILS.
3. OBTAIN EXCAVATION PERMITS PRIOR TO CONSTRUCTION.

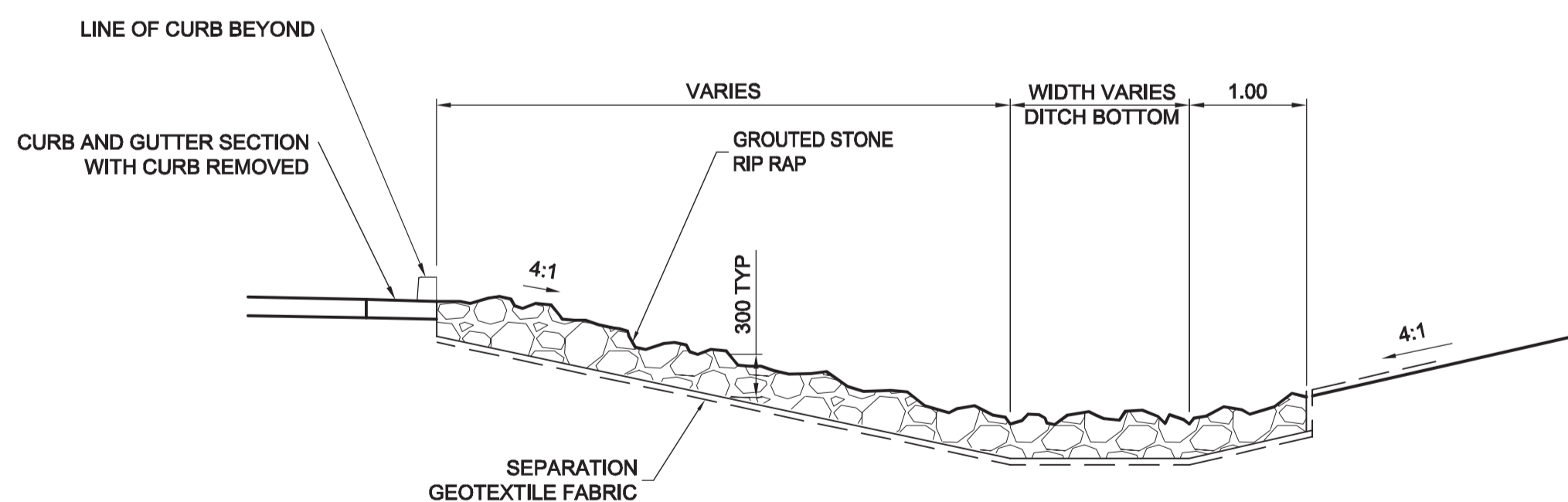


BID OPPORTUNITY NO. 712-2013

2013-07-23



3 MOUNTABLE CURB TRANSITION
 CT-0026 & CT-0029 Scale: 1:25



A GROUDED RIPRAP CHANNEL SECTION
 NTS

150 WM	150 WM	HYDRO	HYDRO	HYDRO	150 WM	WATERMAIN	150 WM
HYDRANT	HYDRANT	MTS	MTS	MTS	HYDRANT	HYDRANT	HYDRANT
VALVE	VALVE				VALVE	VALVE	VALVE
300 LDS LAND DRAINAGE SEWER	300 LDS LAND DRAINAGE SEWER				300 LDS LAND DRAINAGE SEWER	300 LDS LAND DRAINAGE SEWER	300 LDS LAND DRAINAGE SEWER
250 WWS WASTE WATER SEWER	250 WWS WASTE WATER SEWER				250 WWS WASTE WATER SEWER	250 WWS WASTE WATER SEWER	250 WWS WASTE WATER SEWER
MANHOLE	MANHOLE				MANHOLE	MANHOLE	MANHOLE
CATCH BASIN	CATCH BASIN				CATCH BASIN	CATCH BASIN	CATCH BASIN
CURB INLET	CURB INLET				CURB INLET	CURB INLET	CURB INLET
JUNCTIONS	JUNCTIONS				JUNCTIONS	JUNCTIONS	JUNCTIONS
CULVERT	CULVERT				CULVERT	CULVERT	CULVERT
100 GAS	100 GAS				100 GAS	100 GAS	100 GAS
EXISTING	LEGEND-PLAN	PROPOSED	EXISTING	LEGEND-PLAN	PROPOSED	EXISTING	LEGEND-PROFILE

LOCATION APPROVED UNDERGROUND STRUCTURES	B.M. ELEV.
SUPV. U/G STRUCTURES COMMITTEE DATE	
NOTE: LOCATION OF UNDERGROUND STRUCTURES AS SHOWN ARE BASED ON THE BEST INFORMATION AVAILABLE. BUT NO GUARANTEE IS GIVEN THAT ALL EXISTING UTILITIES ARE SHOWN OR THAT THE GIVEN LOCATIONS ARE EXACT. CONFIRMATION OF EXISTENCE AND EXACT LOCATION OF ALL SERVICES MUST BE OBTAINED FROM THE INDIVIDUAL UTILITIES BEFORE PROCEEDING WITH CONSTRUCTION.	
0 ISSUED FOR TENDER	2013/11/21 TJP
NO. REVISIONS	DATE BY

DESIGNED BY	CHECKED BY
RTP	TJP
DRAWN BY	APPROVED BY
TJH	DPK
HOR. SCALE:	RELEASED FOR CONSTRUCTION BY:
AS NOTED	
VERTICAL:	DATE
	2013/11/21

DILLON CONSULTING

ENGINEER'S SEAL
 PROVINCE OF MANITOBA
 REGISTERED PROFESSIONAL ENGINEER
 T.J. PETERS
 2013/11/21
 Member 22309

CONSULTANT DRAWING NO. 12-6576-CT-0055

THE CITY OF WINNIPEG PUBLIC WORKS DEPARTMENT

PLESSIS ROAD TWINNING AND GRADE SEPARATION AT CN REDDITT SUBDIVISION CONTRACT 3

CITY DRAWING NUMBER U238-2014-2155
 SHEET 55 OF 66

DETAILS **CT-0055**