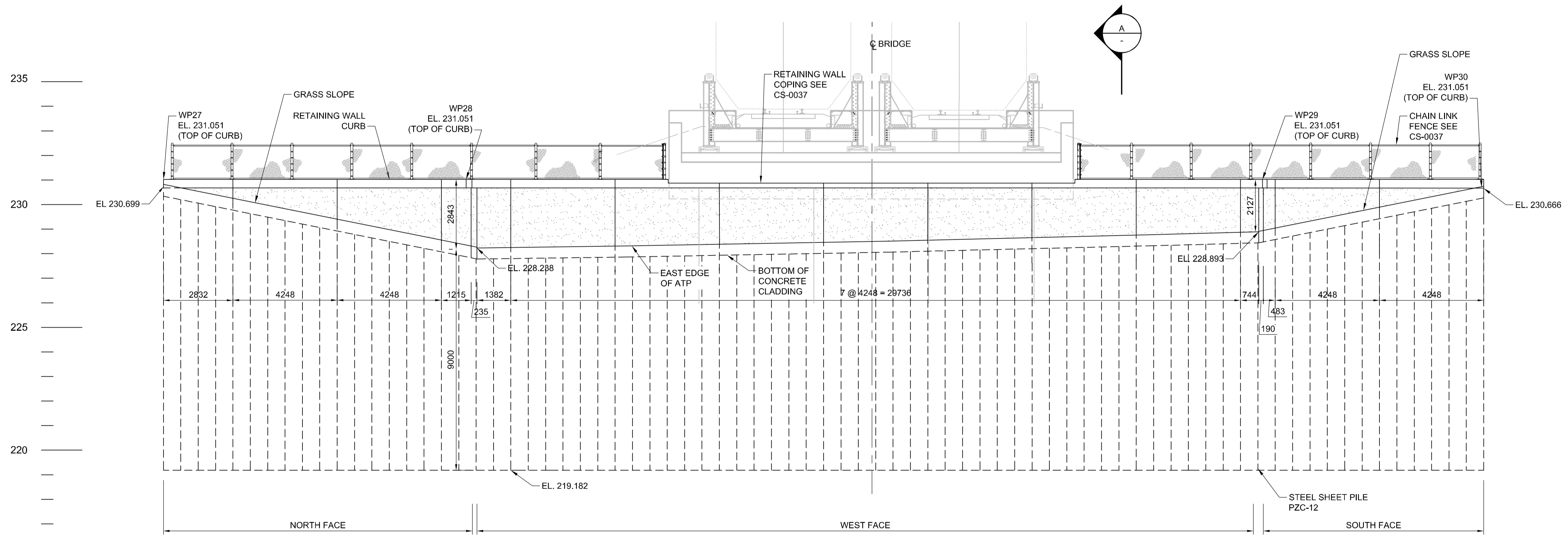
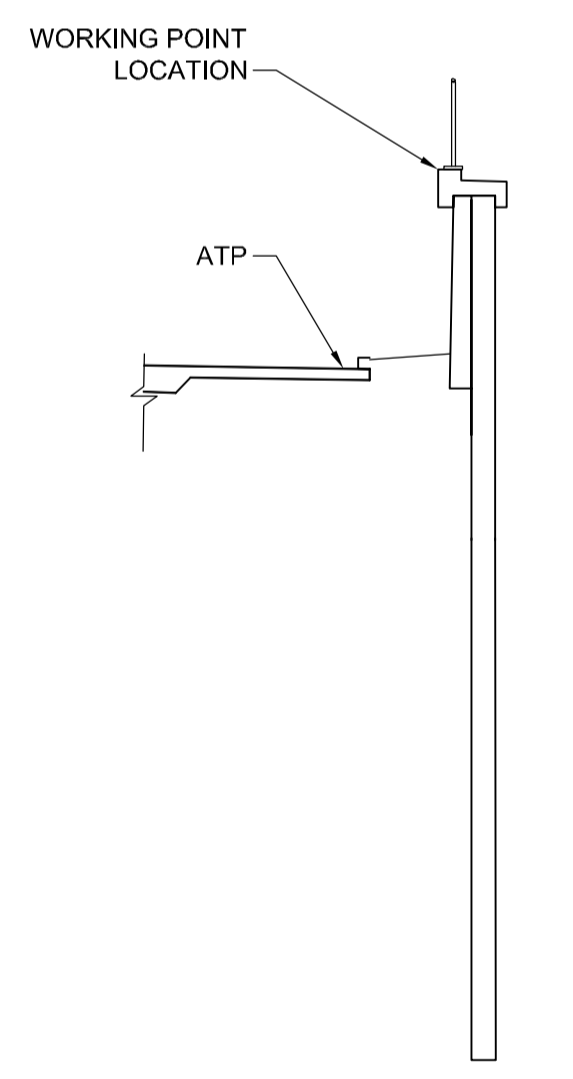


**RETAINING WALL PLAN**  
Scale 1:100



**RETAINING WALL ELEVATION**  
Scale 1:100



**A SECTION**  
Scale 1:100

**CHAIN LINK FENCE**

- CHAIN LINK FENCE MATERIAL SHALL BE HOT DIPPED GALVANIZED TO CSA G164.
- ALL POST AND RAIL SHALL BE STANDARD PIPE CONFORMING TO ASTM A53.

WORKING POINT COORDINATES		
C.S.R.S. (NAD83) U.T.M. GRID		
WP	NORTHING	EASTING
WP27	5528007.318	641873.046
WP28	5528006.988	641860.374
WP29	5527975.113	641853.932
WP30	5527975.365	641863.611



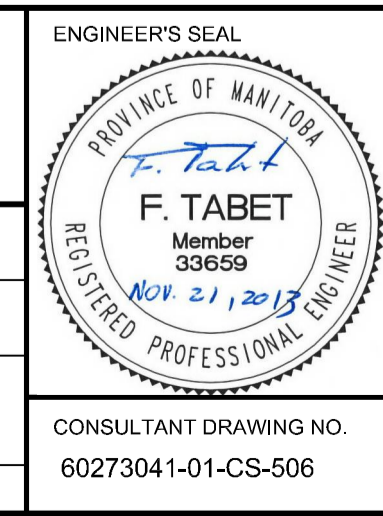
**LOCATION APPROVED UNDERGROUND STRUCTURES**

SUPV. U/G STRUCTURES COMMITTEE DATE

**NOTE:**  
LOCATION OF UNDERGROUND STRUCTURES AS SHOWN ARE BASED ON THE BEST INFORMATION AVAILABLE, BUT NO GUARANTEE IS GIVEN THAT ALL EXISTING UTILITIES ARE SHOWN OR THAT THE GIVEN LOCATIONS ARE EXACT. CONFIRMATION OF EXISTENCE AND EXACT LOCATION OF ALL SERVICES MUST BE OBTAINED FROM THE INDIVIDUAL UTILITIES BEFORE PROCEEDING WITH CONSTRUCTION.

B.M. ELEV.	NO.	ISSUED FOR TENDER	DATE	BY
	0	ISSUED FOR TENDER	2013/11/21	KC
		REVISIONS		

		DESIGNED BY	FT	CHECKED BY	ZS
		DRAWN BY	KC	APPROVED BY	EBL
HOR. SCALE:		AS NOTED		RELEASED FOR CONSTRUCTION BY:	
VERTICAL:		AS NOTED		DATE	
DATE		2013-06-04		DATE	



**THE CITY OF WINNIPEG PUBLIC WORKS DEPARTMENT**

PLESSIS ROAD TWINNING AND GRADE SEPARATION AT CN REDDITT SUBDIVISION CONTRACT 3

CITY DRAWING NUMBER U238-2014-2028  
SHEET 28 OF 37

UPPER EAST RETAINING WALL

**CS-0028**

CONSULTANT DRAWING NO. 60273041-01-CS-506

BID OPPORTUNITY NO. 712-2013

AL - 841694  
60273041-01-21  
AECOM\COMMON\_DEFAULT.CTP  
P:\60273041\000-CADD\02-SHEETS\CS\60273041-01-CS-506.DWG