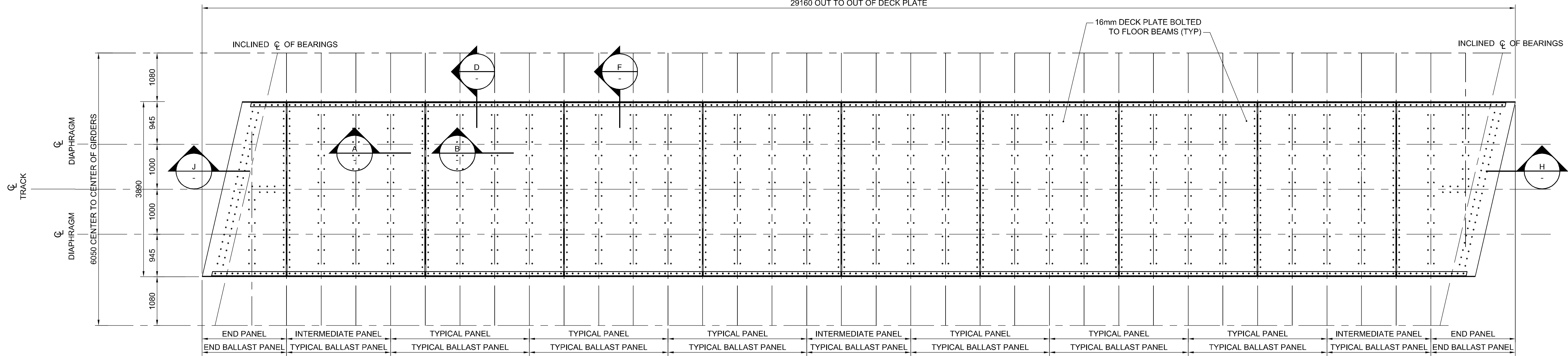


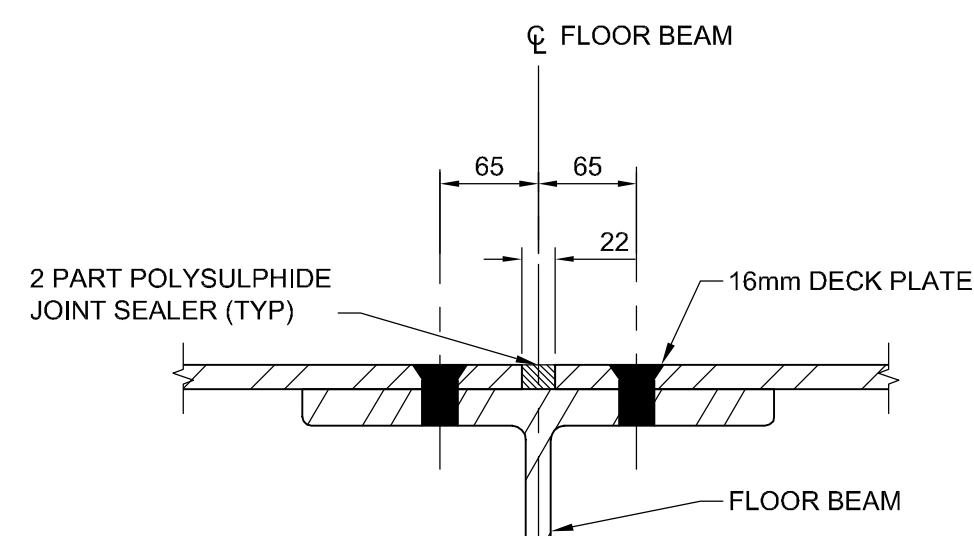
A1 - 8416594  
6033-11-21  
AECOMMDD\_DEFAULT.CTB  
P:\60273041\000-CADD\02-SHEETS\CS\60273041-01-CS-205.DWG

29160 OUT TO OUT OF DECK PLATE



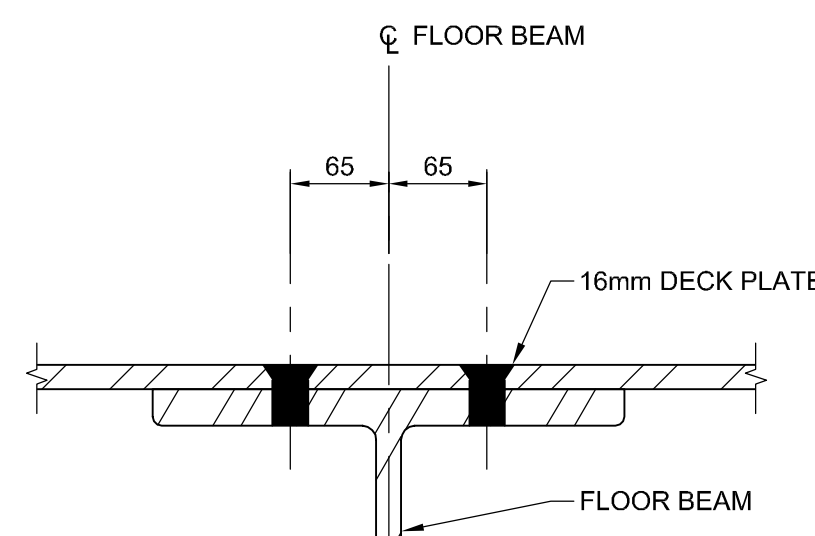
**BALLAST AND DECK PLATE PLAN**

Scale 1:50



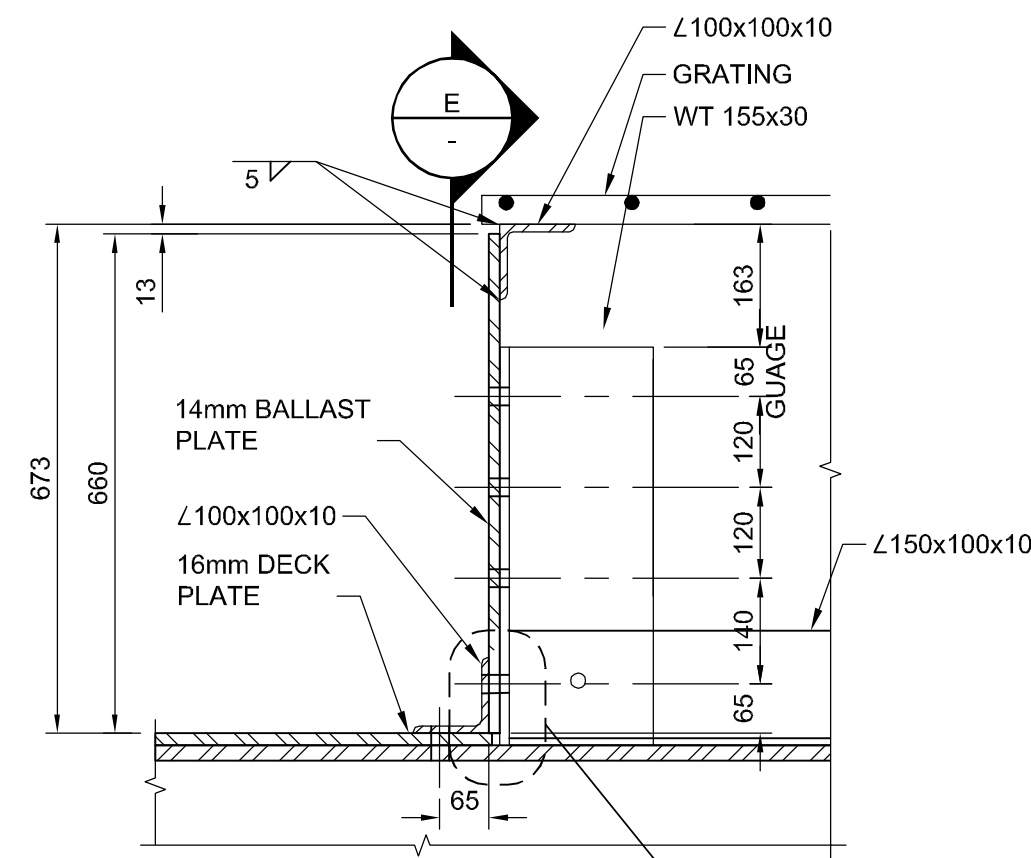
**A SECTION**

Scale 1:5



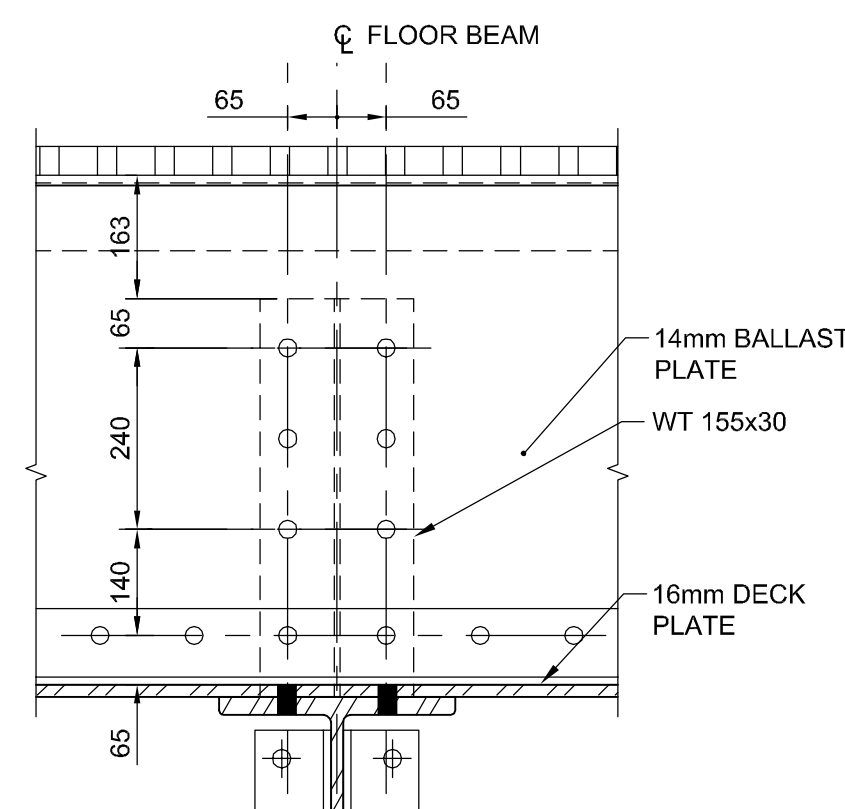
**B SECTION**

Scale 1:5



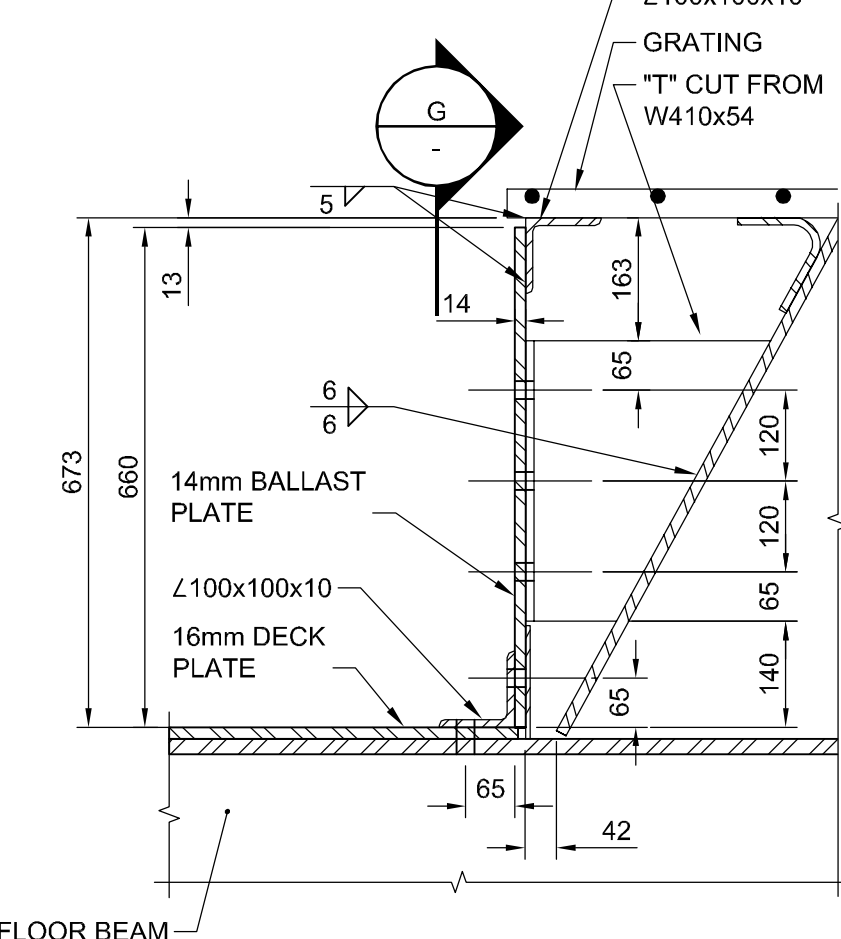
**D SECTION**

Scale 1:10



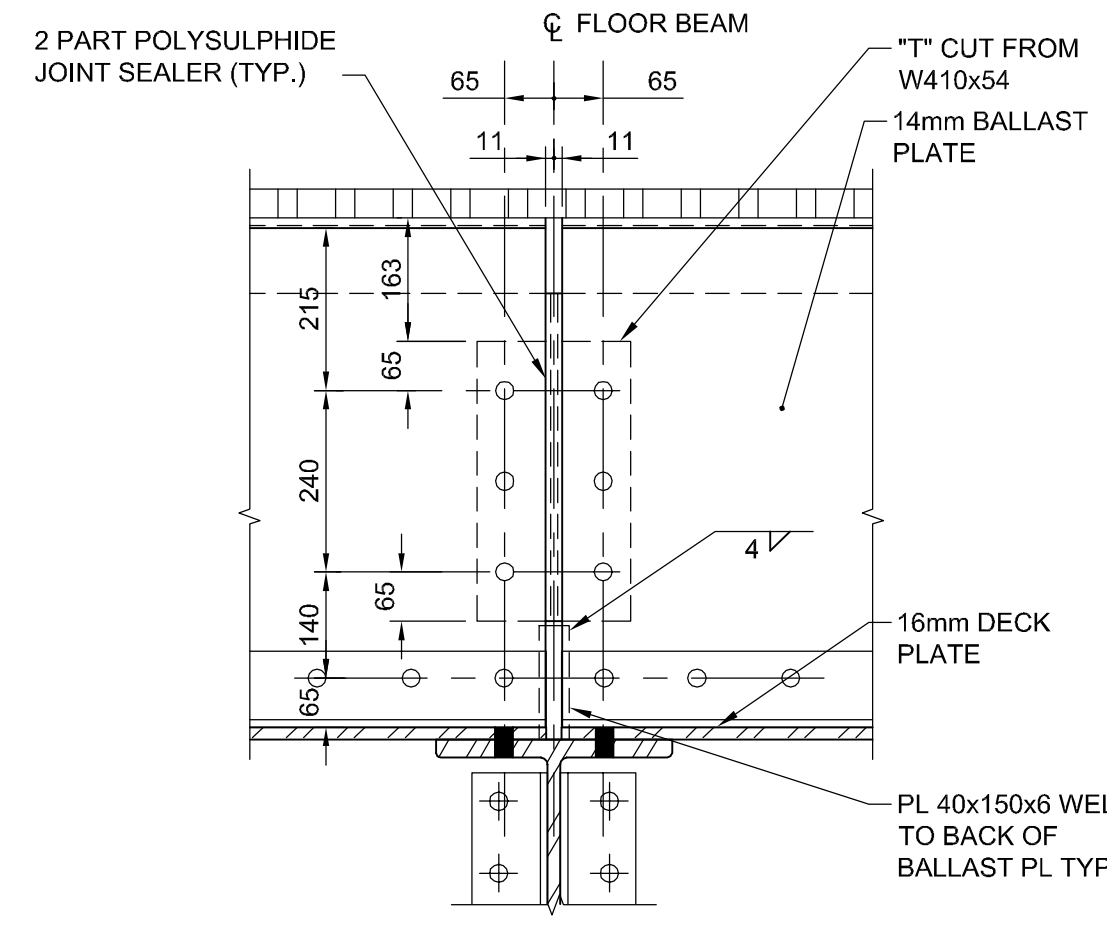
**E SECTION**

Scale 1:10



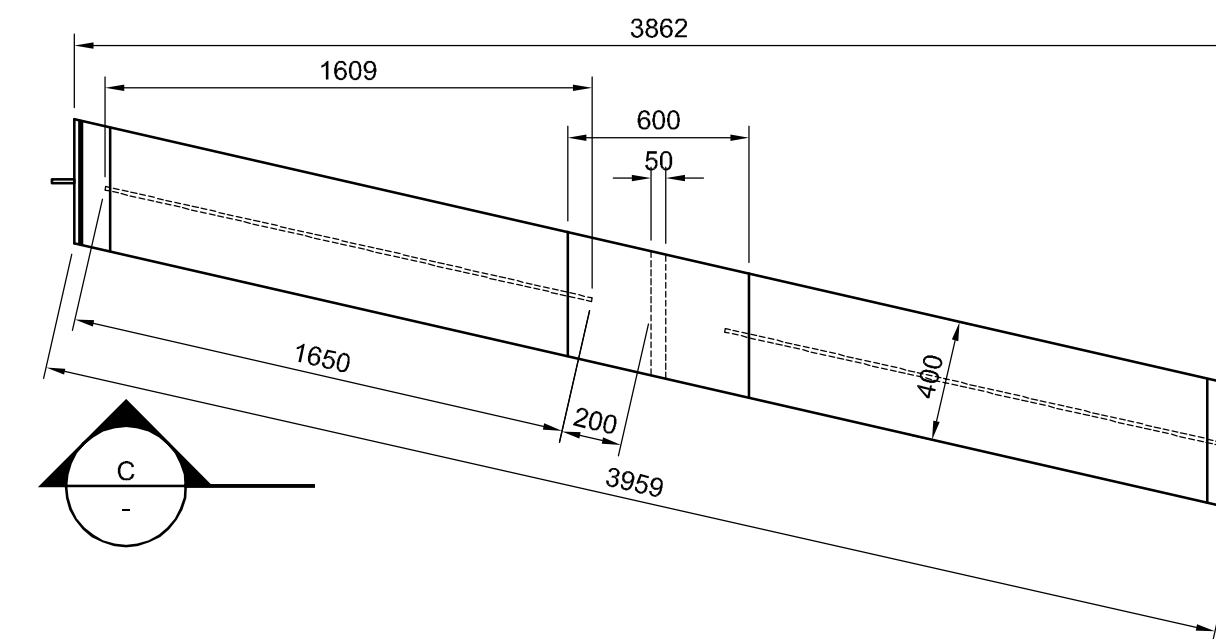
**F SECTION**

Scale 1:10



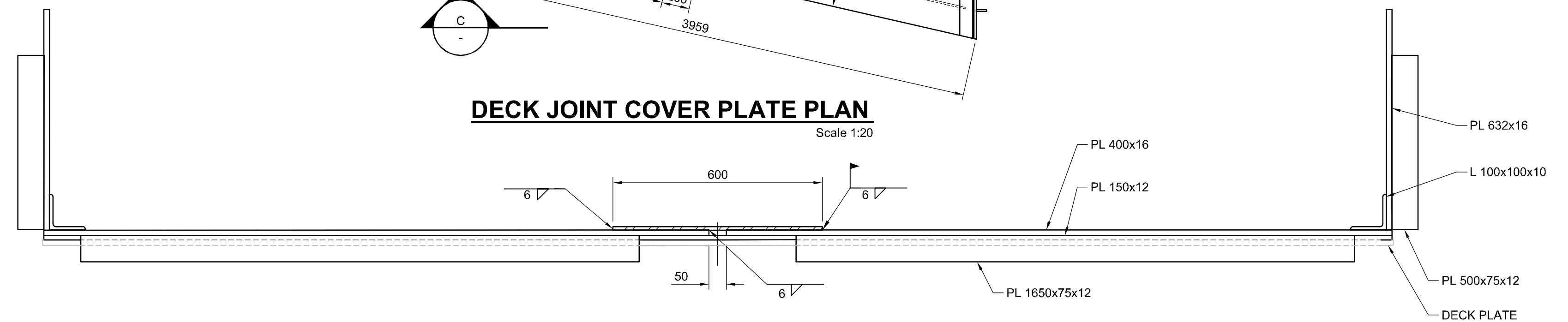
**G SECTION**

Scale 1:10



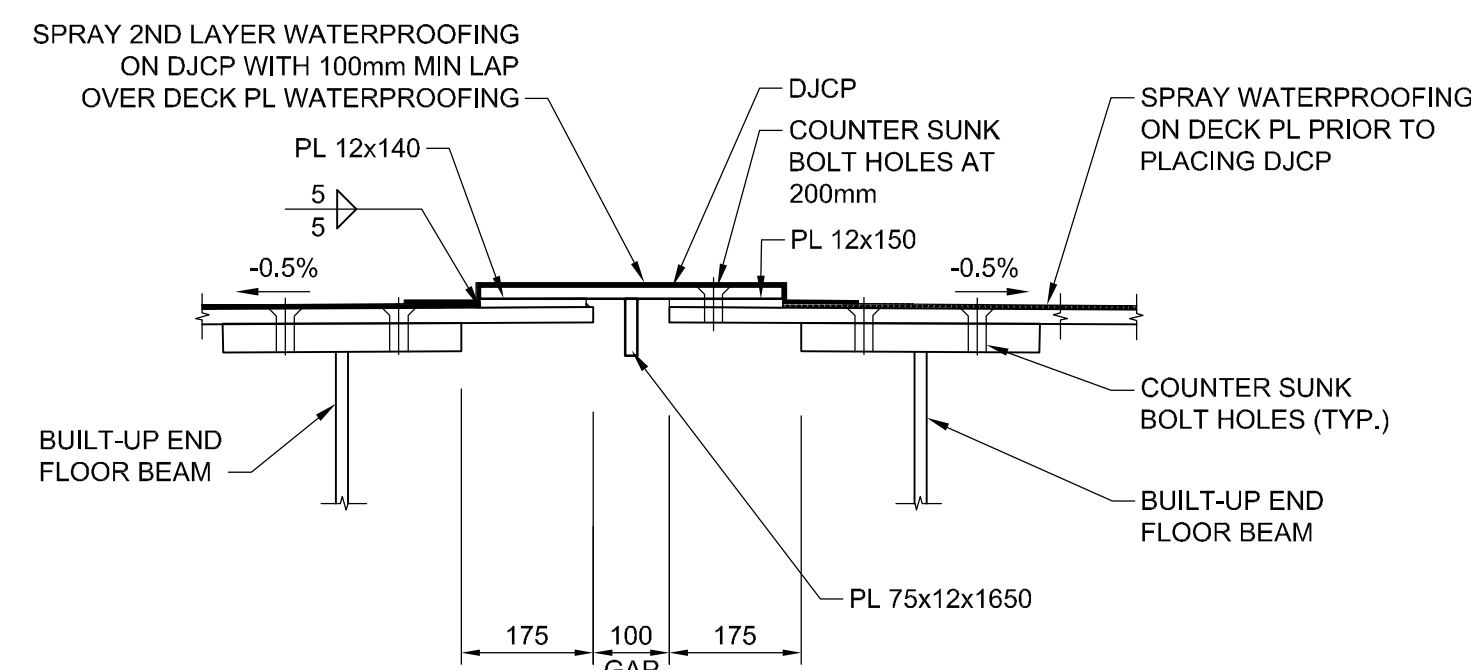
**DECK JOINT COVER PLATE PLAN**

Scale 1:20



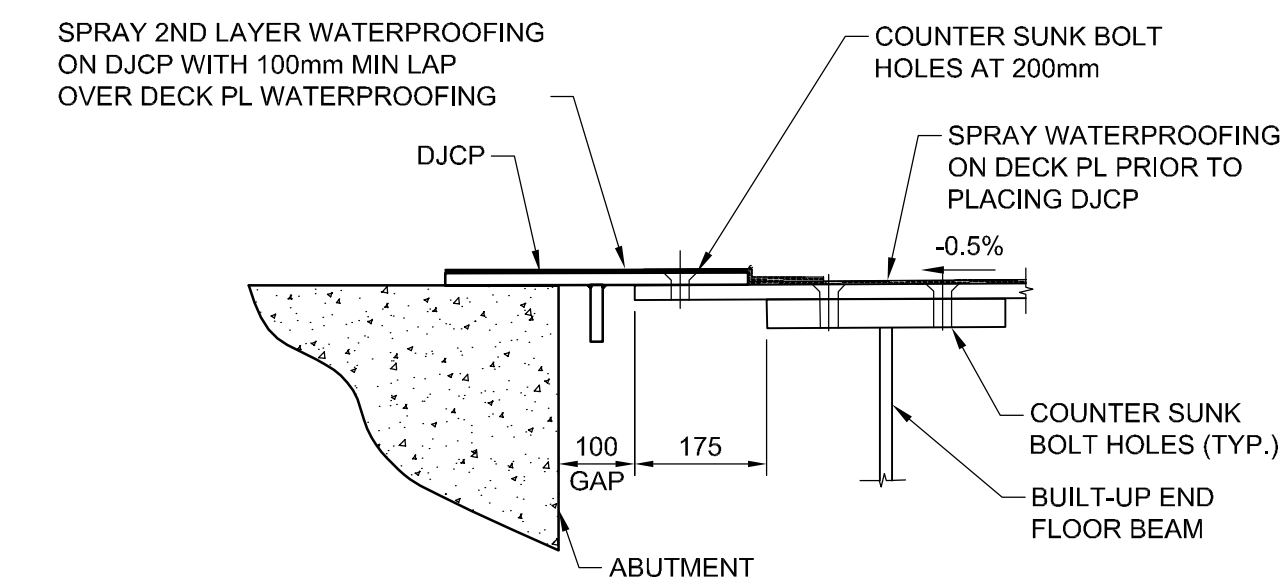
**DECK JOINT COVER PLATE SECTION**

Scale 1:10



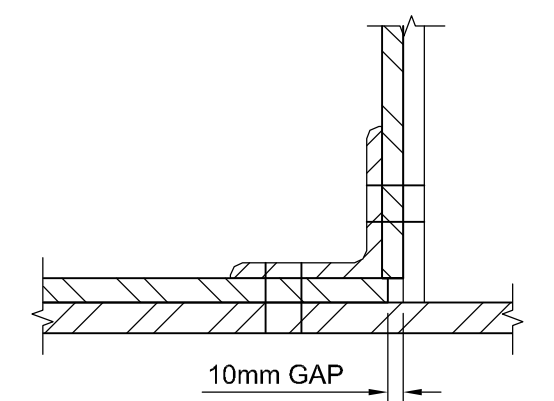
**SECTION AT PIER  
H DECK JOINT**

Scale 1:10



**SECTION AT ABUTMENT  
J DECK JOINT**

Scale 1:10



**1 DETAIL**

Scale 1:5

LOCATION APPROVED UNDERGROUND STRUCTURES		B.M. ELEV.
SUPV. U/G STRUCTURES COMMITTEE	DATE	
NOTE: LOCATION OF UNDERGROUND STRUCTURES AS SHOWN ARE BASED ON THE BEST INFORMATION AVAILABLE, BUT NO GUARANTEE IS GIVEN THAT ALL EXISTING UTILITIES ARE SHOWN OR THAT THE GIVEN LOCATIONS ARE EXACT. CONFIRMATION OF EXISTENCE AND EXACT LOCATION OF ALL SERVICES MUST BE OBTAINED FROM THE INDIVIDUAL UTILITIES BEFORE PROCEEDING WITH CONSTRUCTION.		
NO.	ISSUED FOR TENDER	DATE
0	ISSUED FOR TENDER	2013/11/21
NO.	REVISIONS	DATE

<b>AECOM</b>	
DESIGNED BY	FT
CHECKED BY	CD
DRAWN BY	KC
APPROVED BY	EBL
HOR. SCALE:	AS NOTED
VERTICAL:	AS NOTED
RELEASED FOR CONSTRUCTION BY:	
DATE	2013-06-04

ENGINEER'S SEAL

PROVINCE OF MANITOBA

**F. TABET**

Member 33659

NOV 21 2013

REGISTERED PROFESSIONAL ENGINEER

CONSULTANT DRAWING NO. 60273041-01-CS-205

**AECM**  
Certificate of Authorization  
AECOM Canada Ltd.  
No. 4671 Date: 2013/11/21

**THE CITY OF WINNIPEG**  
PUBLIC WORKS DEPARTMENT

PLESSIS ROAD TWINNING AND GRADE SEPARATION AT CN REDDITT SUBDIVISION CONTRACT 3

CITY DRAWING NUMBER U238-2014-2019  
SHEET 19 OF 37

BALLAST & DECK PLATE PLAN

**CS-0019**

BID OPPORTUNITY NO. 712-2013