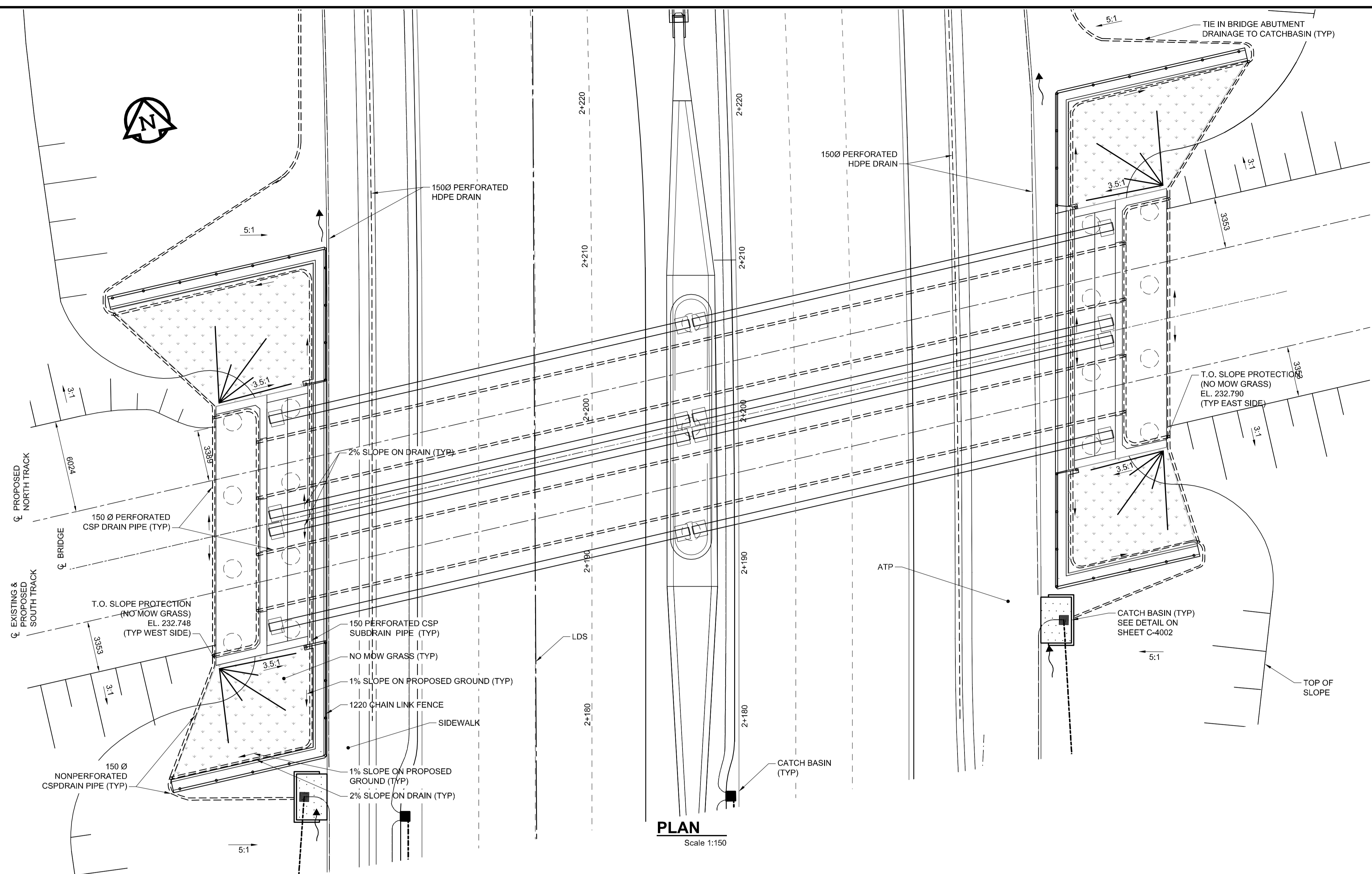
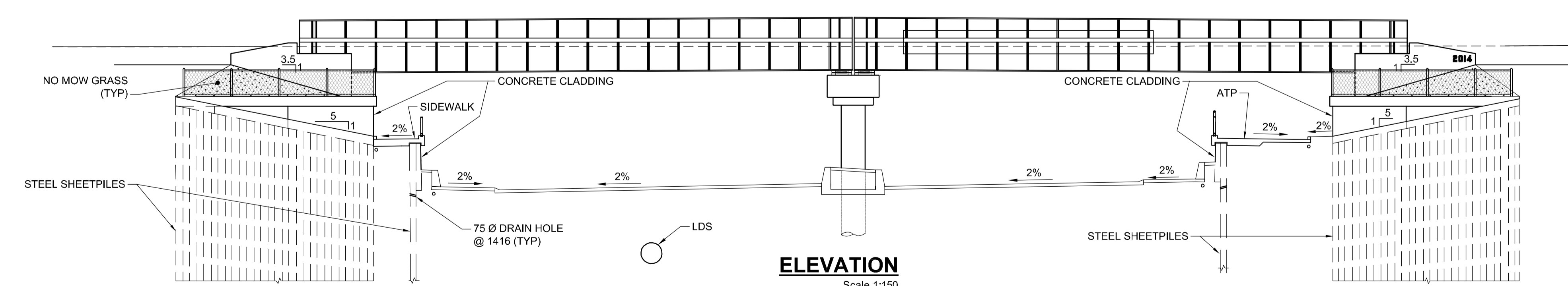


A1 - 841694  
2013-11-21  
J:\COMMON\_DEFAULTS



**PLAN**  
Scale 1:150



**ELEVATION**  
Scale 1:150

**APEGM**  
Certificate of Authorization  
AECOM Canada Ltd.  
No. 4671 Date: 2013/11/21

BID OPPORTUNITY NO. 712-2013

LOCATION APPROVED UNDERGROUND STRUCTURES			
SUPV. UG STRUCTURES COMMITTEE	DATE		
NOTE: LOCATION OF UNDERGROUND STRUCTURES AS SHOWN ARE BASED ON THE BEST INFORMATION AVAILABLE, BUT NO GUARANTEE IS GIVEN THAT ALL EXISTING UTILITIES ARE SHOWN OR THAT THE GIVEN LOCATIONS ARE EXACT. CONFIRMATION OF EXISTENCE AND EXACT LOCATION OF ALL SERVICES MUST BE OBTAINED FROM THE INDIVIDUAL UTILITIES BEFORE PROCEEDING WITH CONSTRUCTION.			

B.M. ELEV.	NO.	ISSUED FOR TENDER	DATE	BY
	0	ISSUED FOR TENDER	2013/11/21	KC
		REVISIONS		

<b>AECOM</b>	
DESIGNED BY FT	CHECKED BY EBL
DRAWN BY DJH	APPROVED BY EBL
HOR. SCALE: AS NOTED	RELEASED FOR CONSTRUCTION BY:
NO. REVISIONS	DATE
DATE	2013-06-04

ENGINEER'S SEAL  
PROVINCE OF MANITOBA  
**F. TABET**  
Member 33659  
NOV 21 2013  
REGISTERED PROFESSIONAL ENGINEER

**THE CITY OF WINNIPEG**  
PUBLIC WORKS DEPARTMENT

PLESSIS ROAD TWINNING AND GRADE SEPARATION AT CN REDDITT SUBDIVISION CONTRACT 3

CITY DRAWING NUMBER U238-2014-2003  
SHEET 03 OF 37

GRADING, SLOPE PROTECTION AND DRAINAGE

**CS-0003**