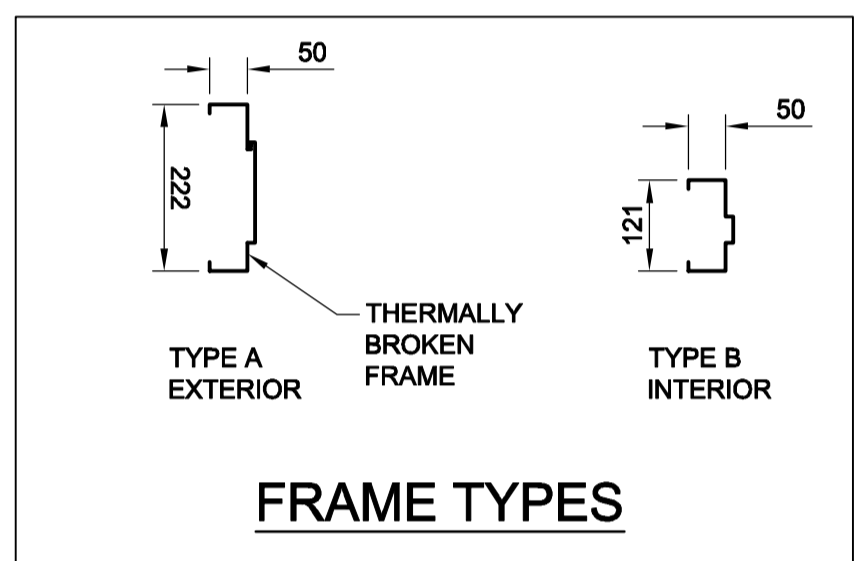
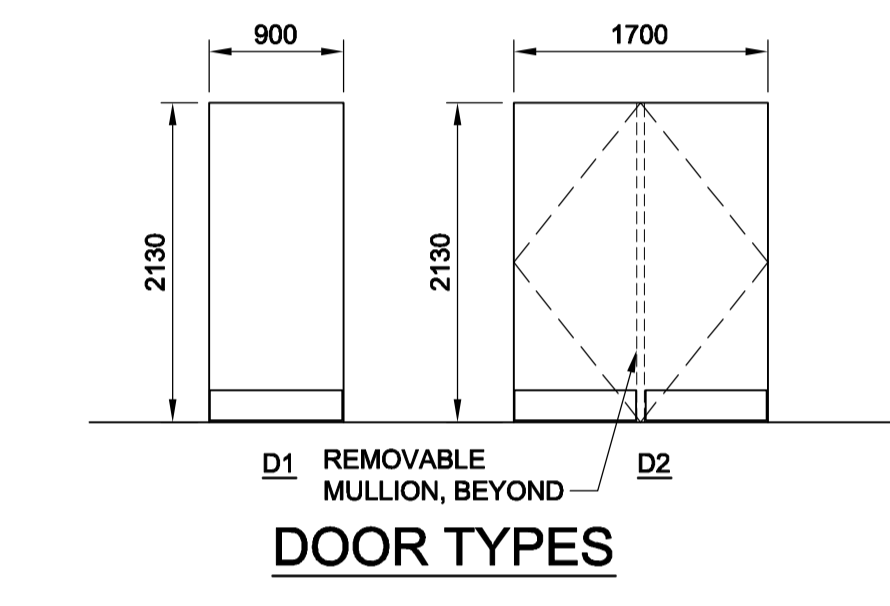


A1 - 644524
 2013-04-03
 AECOM REVIEW DRAFT CHK
 C:\DOCUMENTS AND SETTINGS\STEPHEN'S\APPLICATION DATA\AUTODESK\CORP_2013\DWG\PLT\OTHERS\PLT STYLES\10506-H-BAC.CTB
 P:\60273041\000-CADD\02-SHEETS\SB\SB-2322 SCHEDULES.DWG

ROOM FINISH SCHEDULE														
ROOM NAME	FLOOR			WALLS								CEILING		REMARKS
	MAT.	FINISH	BASE	NORTH		EAST		SOUTH		WEST		MAT.	FINISH	
101 - CONTROL ROOM	CONC.			CMU	PT	CMU	PT	CMU	PT	CMU	PT	LP	PRE-FIN	
102 - GENERATOR ROOM	CONC.			CMU	PT	CMU	PT	CMU	PT	CMU	PT	LP	PRE-FIN	

CMU = CONCRETE MASONRY UNIT CONC = CONCRETE PT = PAINT LP = LINER PANEL

DOOR SCHEDULE														
DOOR							FRAME							REMARKS
DOOR NUMBER	DOOR TYPE	WIDTH	HEIGHT	THICKNESS	MATERIAL	FINISH	REINFORCEMENT	LOUVER	GLASS	FRAME TYPE	DETAIL	MATERIAL	FINISH	
D101	D2	2-900	2130	45	METAL	PT				A		METAL	PT	INSULATED
D102	D1	900	2130	45	METAL	PT				B		METAL	PT	45 MIN.

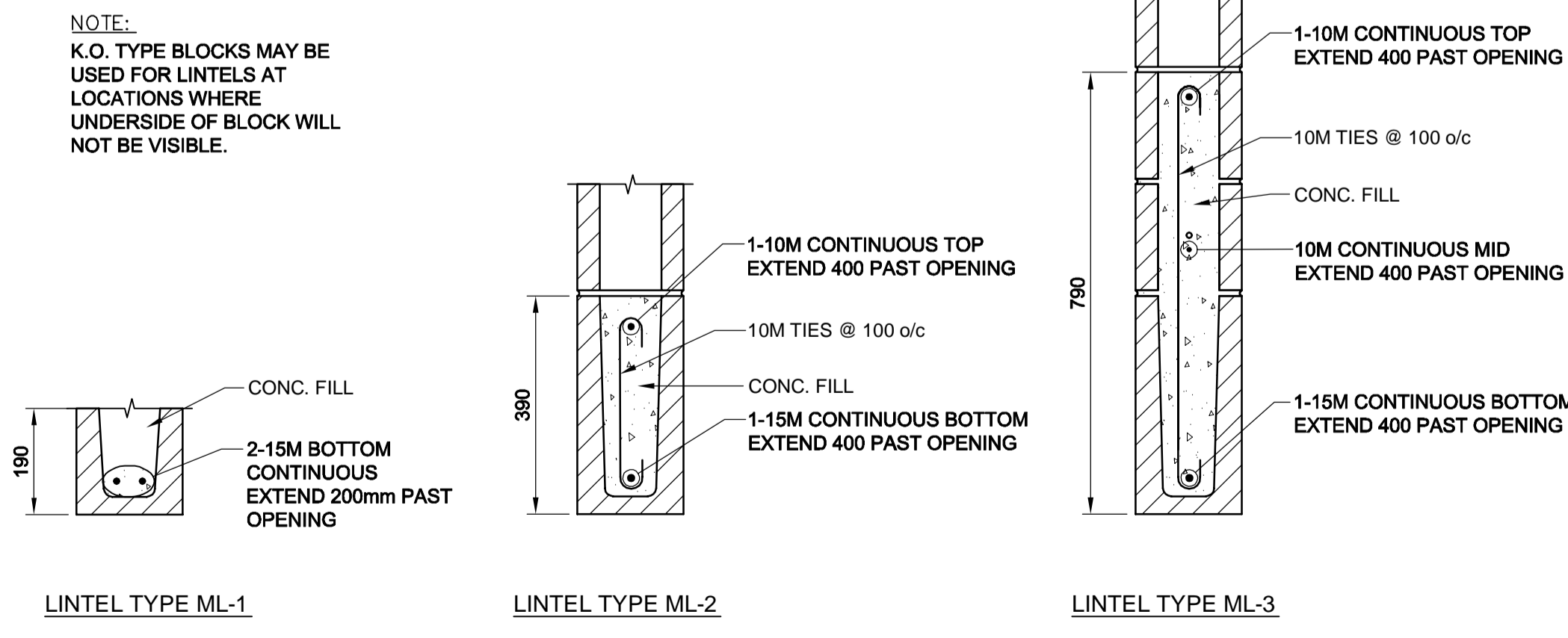


MASONRY WALL SCHEDULE				
MARK	SIZE	REINFORCING	TYPE	REMARKS
MW-1	190	15M @ 1000 c/c	NORMAL	GROUT CORES TO MATCH REINFORCING, UNLESS NOTED OTHERWISE REFER TO DWG. SB-0003, MAIN FLOOR PLAN

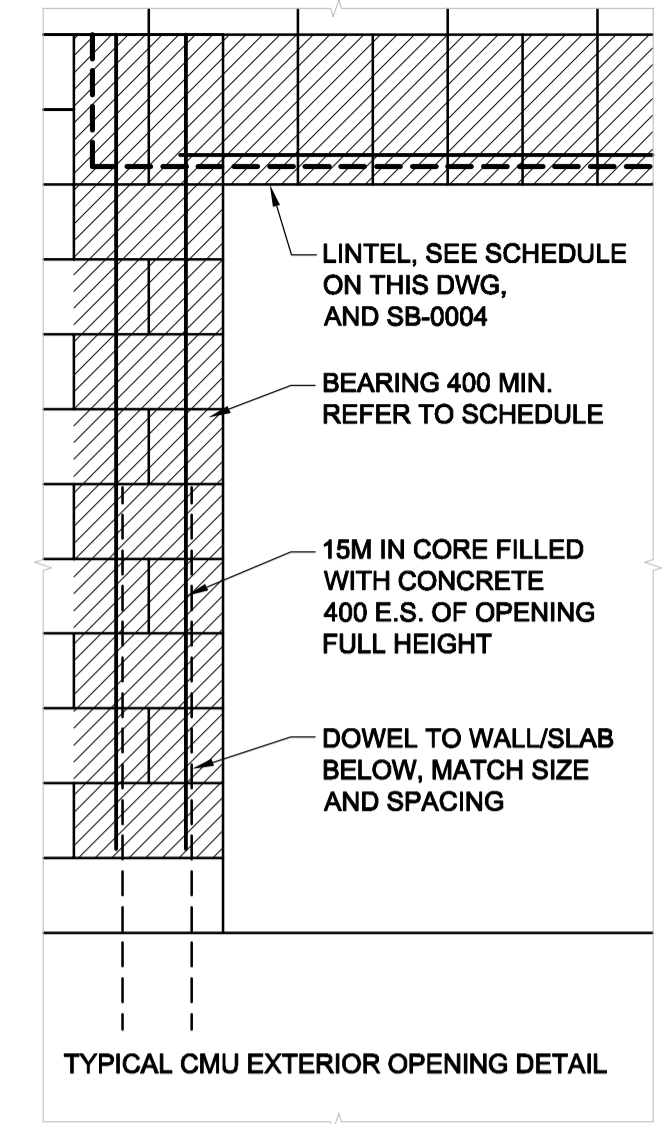
NOTES:
 1. DOWEL TO CONCRETE SUPERSTRUCTURE c/w LAP LENGTH = 1000mm
 2. LAP LENGTH WITHIN WALL = 1000mm
 3. PROVIDE JOINT REINFORCING EVERY SECOND COURSE.

MASONRY LINTEL SCHEDULE					
MARK	SIZE	TYPE	REINFORCING BAR DETAILS		REMARKS
			HORIZONTAL	TIES	
ML-1	190x190	NORMAL	2-15M BOT	-	200mm BEARING E.S., FULLY GROUTED CORES
ML-2	390x190	NORMAL	1-15M BOT, 1-10M TOP	10M @ 100 c/c	400mm BEARING E.S., FULLY GROUTED CORES
ML-3	790x190	NORMAL	1-15M BOT, 1-10M TOP, 1-10M MID	10M @ 100 c/c	400mm BEARING E.S., FULLY GROUTED CORES

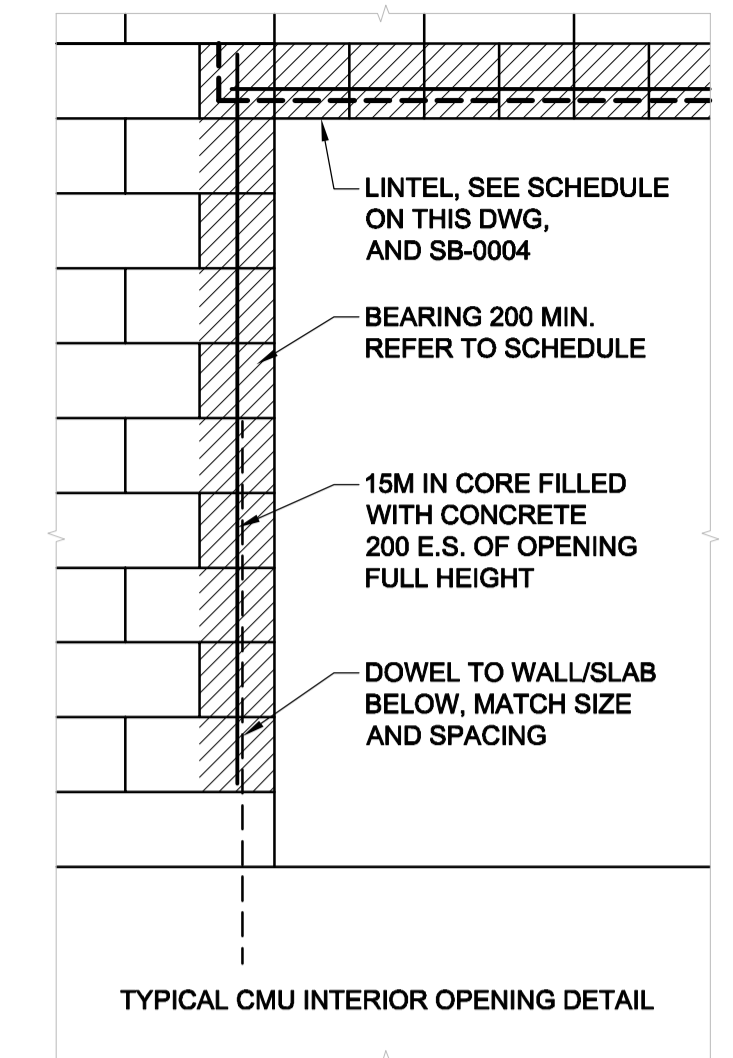
NOTES:
 1. DOWEL TO CONCRETE SUPERSTRUCTURE c/w LAP LENGTH = 1000mm
 2. LAP LENGTH WITHIN CORES = 1000mm
 REFER TO DWG. SB-0004 FOR LINTEL LOCATIONS



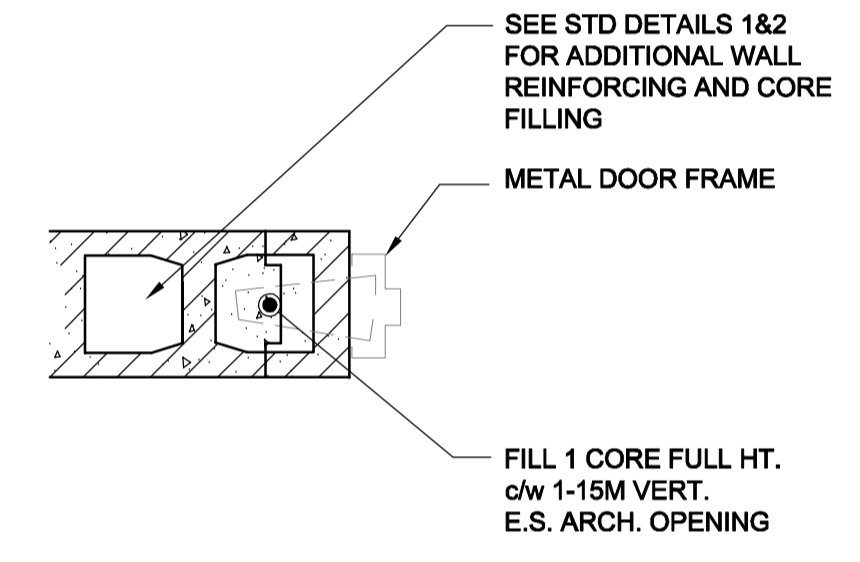
MASONRY LINTEL DETAILS
1:10



1 | STD DETAIL
STD NTS

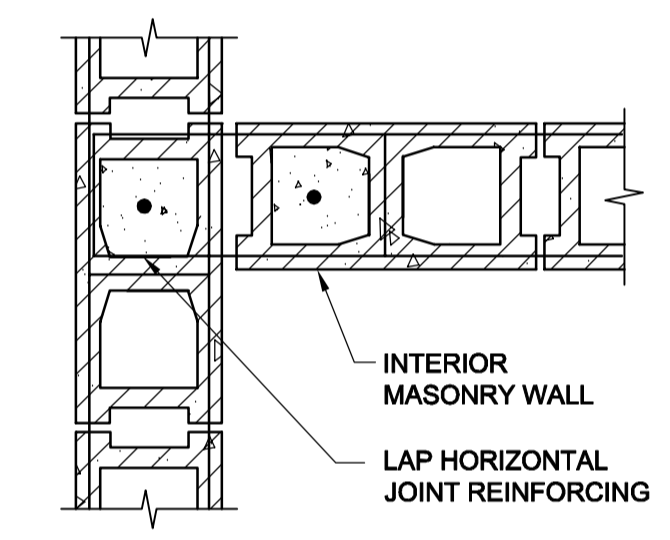


2 | STD DETAIL
STD NTS



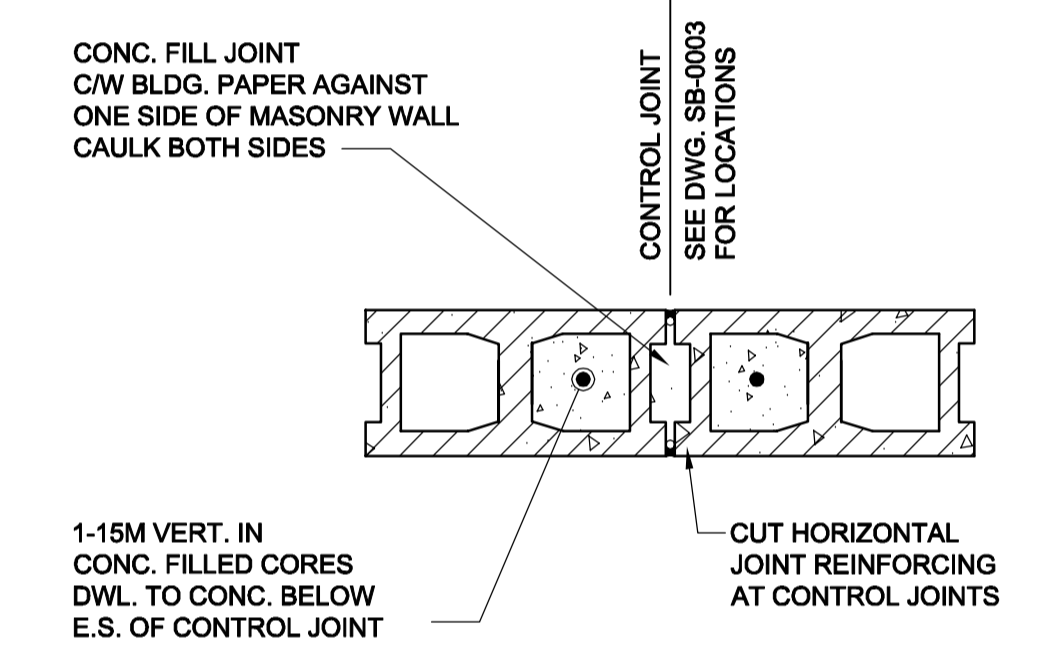
TYPICAL DOOR JAMB REINFORCING

3 | STD DETAIL
STD NTS



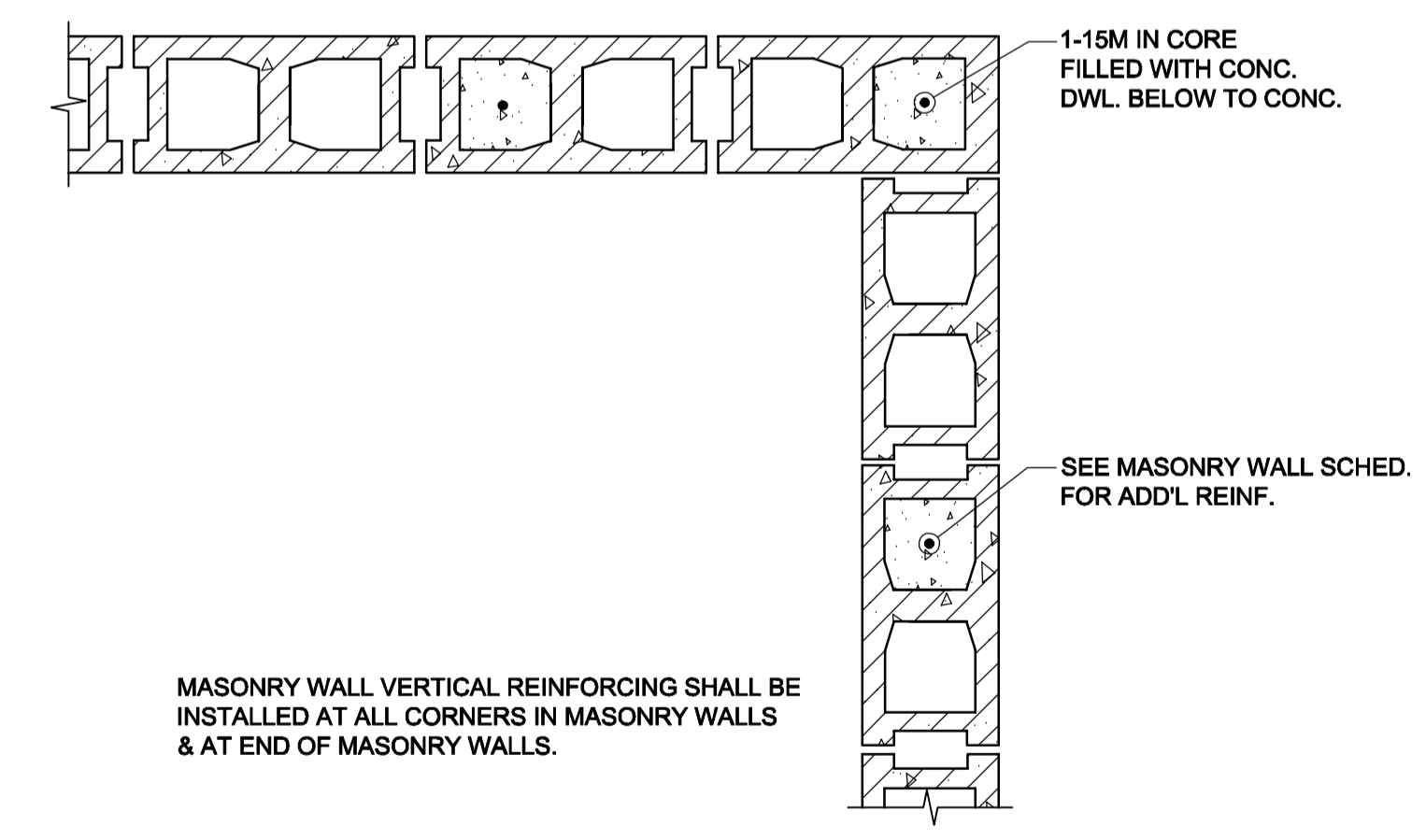
TYPICAL INTERSECTING WALL DETAIL

4 | STD DETAIL
STD NTS



TYPICAL CONTROL JOINT REINFORCING DETAIL

5 | STD DETAIL
STD NTS



MASONRY WALL VERTICAL REINFORCING SHALL BE INSTALLED AT ALL CORNERS IN MASONRY WALLS & AT END OF MASONRY WALLS.

6 | STD DETAIL
STD NTS

LOCATION APPROVED UNDERGROUND STRUCTURES			
SUPV. U/G STRUCTURES COMMITTEE	DATE		

B.M. ELEV.			
NO.	REVISIONS	DATE	BY
1	ISSUED FOR ADDENDUM	14/01/13	KK
0	ISSUED FOR TENDER	13/10/15	KK

AECOM	
DESIGNED BY KK	CHECKED BY
DRAWN BY KK	APPROVED BY
HOR. SCALE: VERTICAL:	AS NOTED AS NOTED
DATE 2013-07-12	RELEASED FOR CONSTRUCTION BY: DATE

ENGINEER'S SEAL

CONSULTANT DRAWING NO. SB-2322 SCHEDULES.DWG

THE CITY OF WINNIPEG PUBLIC WORKS DEPARTMENT

PLESSIS ROAD TWINNING AND GRADE SEPARATION AT CN REDDITT SUBDIVISION CONTRACT 3

STRUCTURAL SUPERSTRUCTURE SCHEDULES AND MASONRY STANDARD DETAILS

CITY DRAWING NUMBER U238-2014-2322
SHEET 02 OF 08
SB-0002

BID OPPORTUNITY NO. 712-2013

