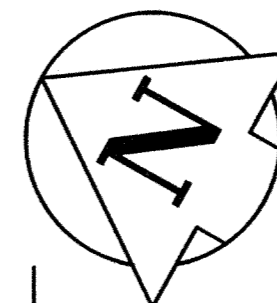
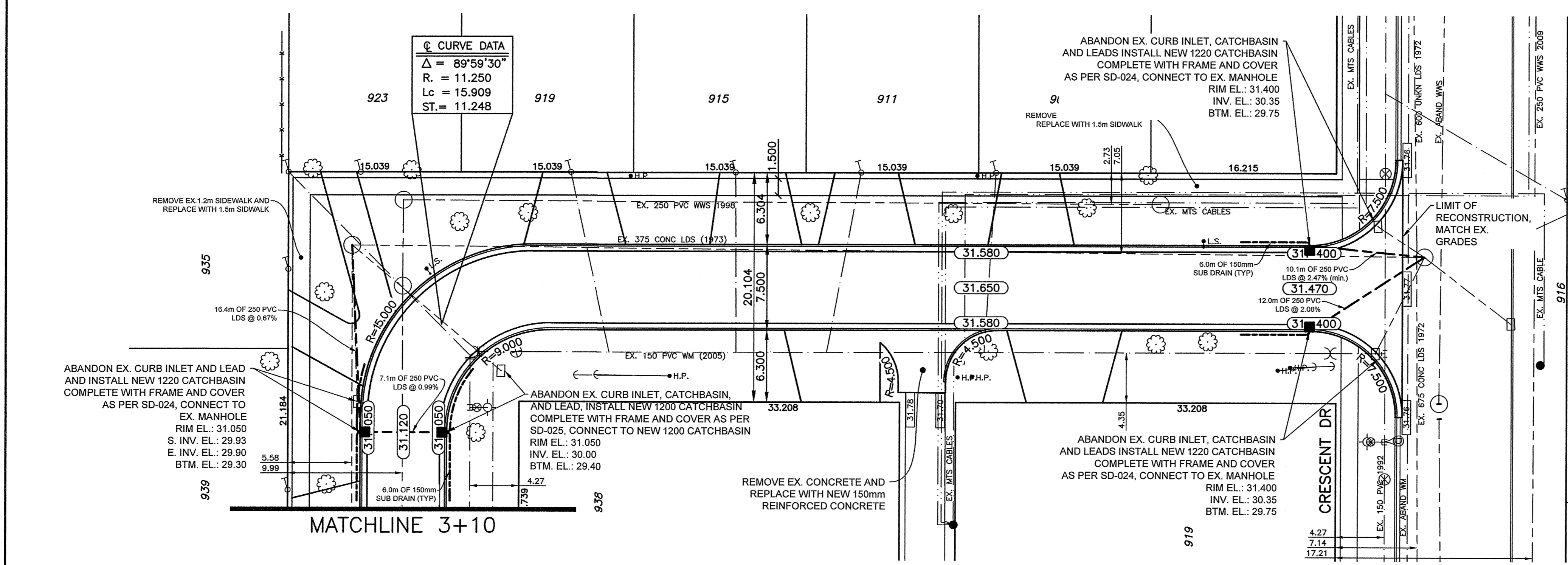
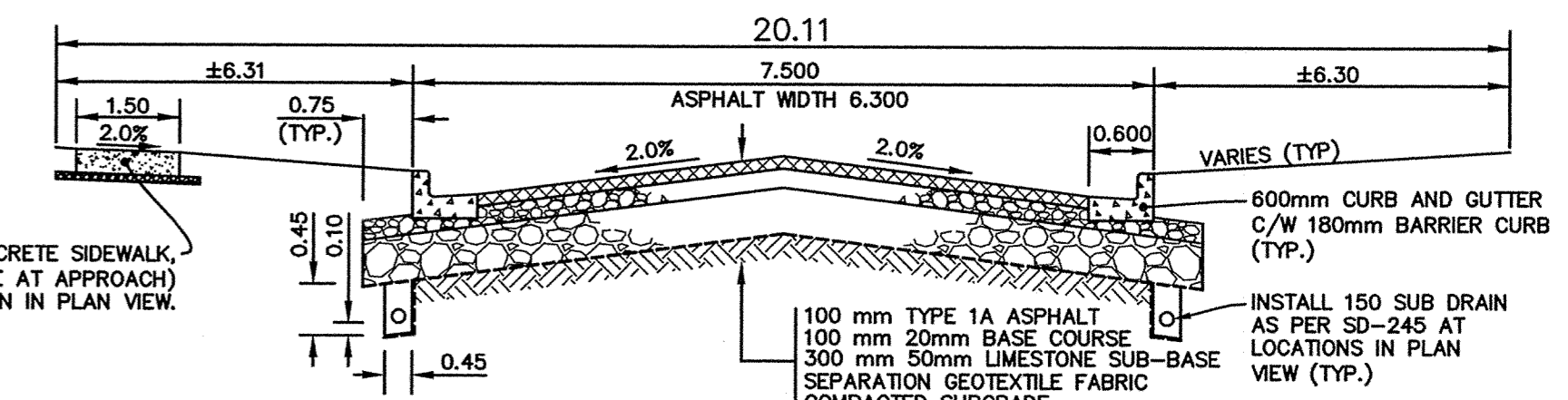


CHAINAGE ALONG CENTER OF ROW  
NESBITT BAY

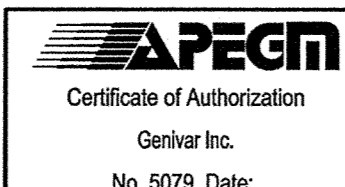


- NOTES:**
1. REMOVE EX. CONCRETE PAVEMENT AND CONSTRUCT NEW ASPHALTIC PAVEMENT TYPE 1A (100mm)
  2. MODIFIED BARRIER CURB TO BE USED FOR CURB RENEWAL AT RADII AS DIRECTED BY CONTRACT ADMINISTRATOR
  3. PRIVATE WALKS TO REGRADED/RENEWED AS DIRECTED BY CONTRACT ADMINISTRATOR
  4. CONSTRUCT NEW CURB AND GUTTER (180mm HT)
  5. DRIVEWAY RENEWALS TO BE DIRECTED BY CONTRACT ADMINISTRATOR
  6. ABANDONMENT OF EXISTING CURB INLETS TO BE DIRECTED BY CONTRACT ADMINISTRATOR
  7. EX. MANHOLES, CATCHBASIN, GATE VALVES AND OTHER APPURTENANCES TO BE ADJUSTED AS DIRECTED BY CONTRACT ADMINISTRATOR
  8. INSTALLATION OF NEW CATCHPITS, CATCHBASINS AND SUBDRAINS TO BE DIRECTED BY CONTRACT ADMINISTRATOR
  9. CONTRACTOR TO COMPLETE LIGHTING (INCLUDING BASES, WIRING AND LAMP STANDARDS) AND COORDINATE WITH MANITOBA HYDRO. REFER TO MANITOBA HYDRO DRAWING No.:704-2013\_Drawing\_1-04707-DD-50000-0174-03-R0 FOR LOCATION OF NEW STREET LIGHTS.
  10. RECONSTRUCTION TO BE COORDINATED WITH 2013 SUPPLEMENTAL WATER MAIN RENEWALS (CONTRACT NOT YET AWARDED)



**METRIC**  
WHOLE NUMBERS INDICATE MILLIMETRES  
DECIMALIZED NUMBERS INDICATE METRES

"Description of property limits, and existing and/or proposed features relative to these limits as shown on this drawing do not represent a Legal Survey. GENIVAR makes no representation or guarantee that the property limit information is accurate. GENIVAR accepts no responsibility for damages, if any, suffered by any third party as a result of decisions made or actions based on this drawing."



EXISTING	LEGEND - PLAN	PROPOSED	EXISTING	LEGEND - PLAN	PROPOSED	EXISTING	LEGEND - PROFILE	PROPOSED	
	WATERMAIN			M.T.S.			LAND DRAINAGE SEWER		WASTE WATER SEWER
	CURB STOP			TRAFFIC SIGNAL CONCRETE/ASPHALT SIDEWALK			SOUTH & EAST GUTTER		NORTH & WEST GUTTER
	WASTE WATER SEWER			PROPERTY LINE ELEVATIONS (32.000)			WEST GROUND		EAST GROUND
	LAND DRAINAGE SEWER C.B. LEAD			TEST HOLE LOCATION					
	MANHOLE								
	CATCH BASIN								
	GAS								
	HYDRO								

LOCATION APPROVED UNDERGROUND STRUCTURES

SUPV. U/G STRUCTURES DATE COMMITTEE

NOTE:  
LOCATION OF UNDERGROUND STRUCTURES AS SHOWN ARE BASED ON THE BEST INFORMATION AVAILABLE BUT NO GUARANTEE IS GIVEN THAT ALL EXISTING UTILITIES ARE SHOWN OR THAT THE GIVEN LOCATIONS ARE EXACT. CONFIRMATION OF EXISTENCE AND EXACT LOCATION OF ALL SERVICES MUST BE OBTAINED FROM THE INDIVIDUAL UTILITIES BEFORE PROCEEDING WITH CONSTRUCTION.

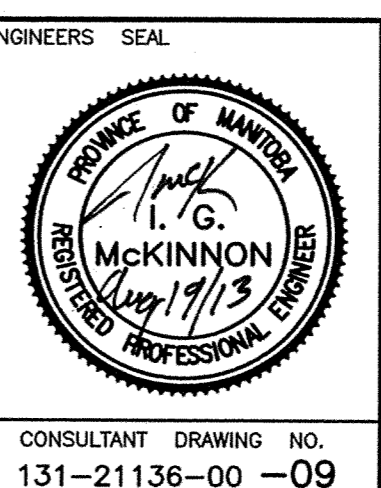
B.M. 64-005  
ELEV. 232.353

1 ISSUED FOR TENDER 13/08/13 R.H.

NO. REVISIONS DATE BY

**GENIVAR**  
10 PRAIRIE WAY WINNIPEG, MANITOBA R2J 3J8  
PH: (204)-477-6850 FAX: (204)-474-2864

DESIGNED BY R.H. CHECKED BY S.M.  
DRAWN BY R.H. APPROVED BY I.McK.  
HOR. SCALE: 1:250  
VERT. SCALE: 1:10  
RELEASED FOR CONSTRUCTION  
DATE JULY 2013



**THE CITY OF WINNIPEG**  
PUBLIC WORKS DEPARTMENT

2013 CAPITAL WORKS LOCAL STREET RENEWAL  
NESBITT BAY  
FROM MATCHLINE AT STA. 3+10 TO CRESCENT DR.  
PAVEMENT RECONSTRUCTION

CITY DRAWING NO. SHEET 3 of 3  
DRAWING NO. 704-2013-09