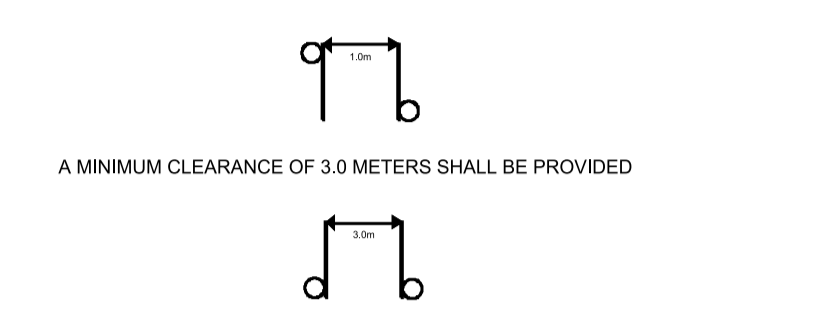


**NOTES :**

CONSTRUCTION STANDARDS  
 TO BE CONSTRUCTED IN ACCORDANCE WITH MANITOBA HYDRO DISTRIBUTION AND SUBTRANSMISSION STANDARDS. LATEST REVISION, NO MAJOR CHANGE SHALL BE MADE WITHOUT APPROVAL OF THE DESIGN ENGINEER OR RELEASEE.

**CITY OF WINNIPEG REQUIREMENTS:**

WATER AND WASTE DEPARTMENT APPROVAL SUBJECT TO THE FOLLOWING NOTES:  
 A MINIMUM CLEARANCE OF 1000 MILLIMETERS SHALL BE PROVIDED BETWEEN THE UNDERSIDE OF ANY EXISTING WATERMAIN OR SEWERMAIN PIPE AND THE TOP OF THE PROPOSED WORKS OR  
 A MINIMUM CLEARANCE OF 500 MILLIMETERS SHALL BE PROVIDED BETWEEN THE UNDERSIDE OF THE PROPOSED WORKS AND THE TOP OF ANY EXISTING WATERMAIN OR SEWERMAIN PIPE.  
 A MINIMUM LATERAL CLEARANCE OF 1.0 METER SHALL BE PROVIDED BETWEEN THE NEAREST EDGE OF THE PROPOSED WORKS AND THE NEAREST EDGE OF ANY EXISTING WATERMAIN, WATERMAIN VALVE, HYDRANT, SEWERMAIN OR SEWER MANHOLE.



**FOR CLEARANCE OF EXISTING WATER & WASTE DEPARTMENT PLANT CONTACT THE SURVEY & INSPECTION BRANCH 48 HOURS PRIOR TO CONSTRUCTION AT 966-3322**

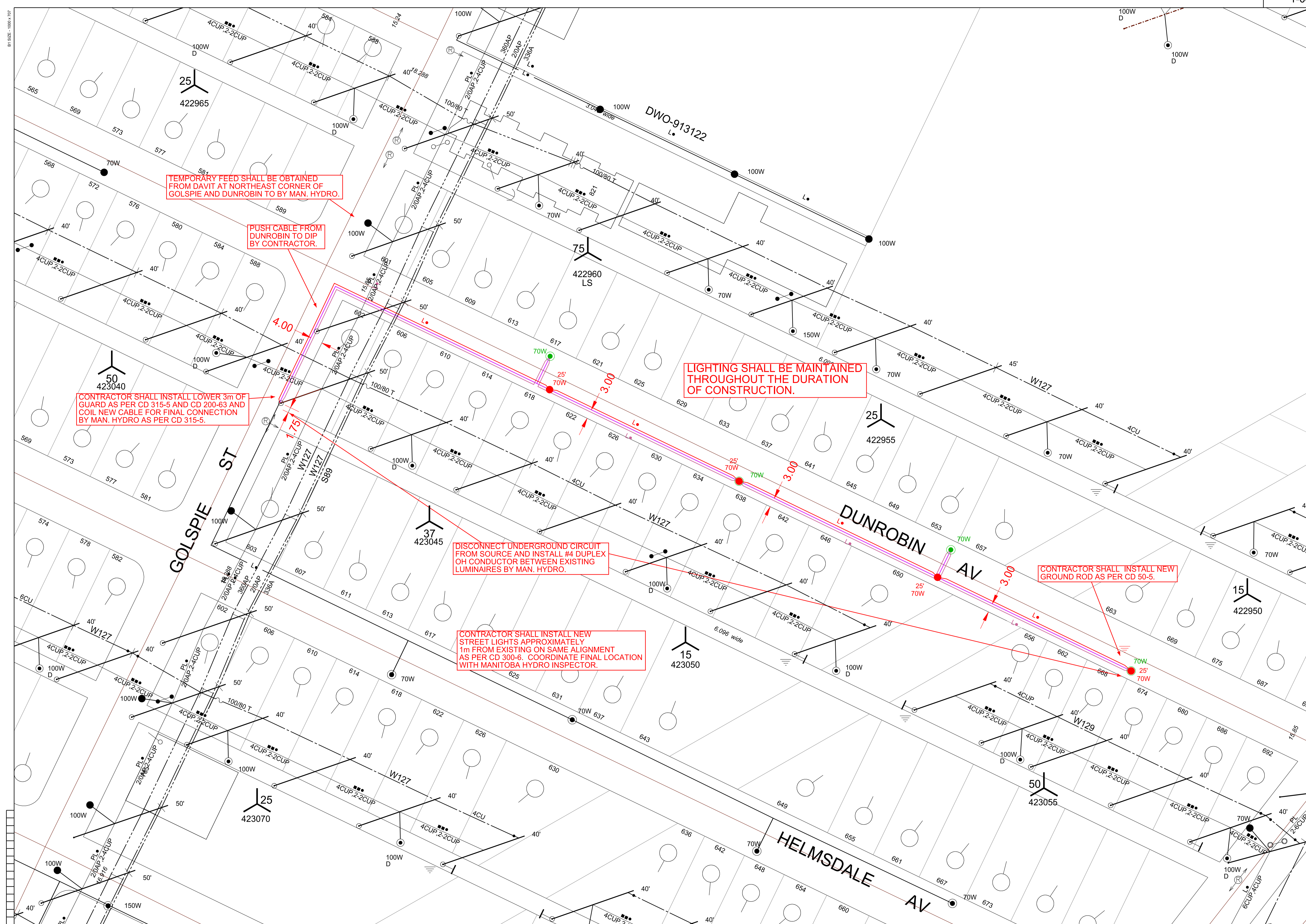
**PROPOSED SEQUENCE OF CONSTRUCTION:**

- ARRANGE FOR TEMPORARY OVERHEAD FEED OF LIGHTS AND DISCONNECTION & ISOLATION OF EXISTING UNDERGROUND STREET LIGHTING CABLE WITHIN WORK AREA.
- INSTALL NEW UNDERGROUND STREET LIGHTING CABLE AND LEAVE COILED AT LOCATION FOR FINAL CONNECTION BY MANITOBA HYDRO.
- ONCE NEW LIGHTS ARE COMMISSIONED AND TEMPORARY OVERHEAD WIRING IS REMOVED, REMOVE EXISTING STREET LIGHTING AND BASES. DISPOSE IN ACCORDANCE WITH TECHNICAL REQUIREMENTS.
- COMPLETION OF STREET LIGHTING WORKS SHALL BE COMPLETED PRIOR TO FINAL LANDSCAPING.

CONTACT	NAME	PHONE
DESIGN	MIKE PARTIYKA	360-4475
DISTRICT ENG TECH	MICHEL LAUZON	360-5198
ENERGY SERVICES ADVISOR	TERRY MCCARTHY	360-4127
LIG CONSTRUCTION	BILL AMMETER	360-7019
OH CONSTRUCTION	WAYNE RIELAND	360-5786
CUSTOMER CONTRACT	PHIL ROBERTSON	360-0709
INSPECTOR	DAVE KIRKPATRICK	756-0608
TEMP. STRINGING	CAM GIBSON	223-4651

MAGENTA	PROPOSED TRENCH
RED	PROPOSED OBJECT
PINK	OBJECT TO BE ABANDONED
GREEN	OBJECT TO BE SALVAGED
BLACK	EXISTING OBJECT
ANNOTATION L•	1 - #4 AL CN STREET LIGHT CABLE
ANNOTATION LL•	1 - 1/0 TRIPLEX STREET LIGHT CABLE

**FOR TENDERING PURPOSES ONLY. PRELIMINARY NOT TO BE USED FOR CONSTRUCTION**



TEMPORARY FEED SHALL BE OBTAINED FROM DAVIT AT NORTHEAST CORNER OF GOLSPIE AND DUNROBIN TO BY MAN. HYDRO.

PUSH CABLE FROM DUNROBIN TO DIP BY CONTRACTOR.

CONTRACTOR SHALL INSTALL LOWER 3m of GUARD AS PER CD 315-5 AND CD 200-63 AND COIL NEW CABLE FOR FINAL CONNECTION BY MAN. HYDRO AS PER CD 315-5.

LIGHTING SHALL BE MAINTAINED THROUGHOUT THE DURATION OF CONSTRUCTION.

DISCONNECT UNDERGROUND CIRCUIT FROM SOURCE AND INSTALL #4 DUPLEX OH CONDUCTOR BETWEEN EXISTING LUMINAIRES BY MAN. HYDRO.

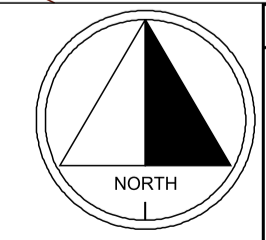
CONTRACTOR SHALL INSTALL NEW STREET LIGHTS APPROXIMATELY 1m FROM EXISTING ON SAME ALIGNMENT AS PER CD 300-6. COORDINATE FINAL LOCATION WITH MANITOBA HYDRO INSPECTOR.

CONTRACTOR SHALL INSTALL NEW GROUND ROD AS PER CD 50-5.

NOTE: INDICATION OF ALL UNDERGROUND UTILITIES IS FOR ILLUSTRATIVE PURPOSES ONLY. CONTACT THE APPLICABLE UTILITIES FOR SPECIFIC PLANT LOCATIONS AND CLEARANCES.

INFORMATION PERTAINING TO THE SIZE AND LOCATION OF MANITOBA HYDRO FACILITIES AND INSTALLATIONS IS ILLUSTRATIVE AND SHOULD NOT BE RELIED ON FOR THE PURPOSES OF ANY ACTIVITY BEING CONDUCTED AT OR NEAR THE IDENTIFIED HYDRO INSTALLATIONS. ALL LOCATIONS AND EQUIPMENT MUST BE VERIFIED BY APPROPRIATE HYDRO DISTRICT OFFICES PRIOR TO ANY PHYSICAL ACTIVITY UNDERTAKEN AT OR NEAR HYDRO INSTALLATIONS. A CURRENT WORK CLEARANCE REQUEST FORM CAN BE OBTAINED FROM THE DISTRICT OFFICE AND MUST BE ON SITE PRIOR TO THE COMMENCEMENT OF ANY EXCAVATIONS.

**CALL BEFORE YOU DIG!!**



DATE	REVISIONS	BY	CHKD.	APP.	AREA NUMBER	MANITOBA HYDRO DISTRIBUTION PLANNING & DESIGN
00	2013/07/26	ISSUED FOR TENDER	MP	A.B.	A.B.	WBS # P:21931 NETWORK # 4302001
DRAWING NUMBER						DISTRICT: RIVER EAST
REFERENCE DRAWINGS						STREET LIGHTING PROJECT - DUNROBIN AVE, PARR ST, FRASERS GROVE
DRAWN MP						DUNROBIN AVE
CHECK A.B.						CONTRACTOR TO DIRECT REPLACE EXISTING STREET LIGHT PLANT
SCALE 1:500						
DATE 2013/07/04						1-04707-DD-50000-0175

FORM MICROFILM USE ONLY