

D SIZE 227 x 347 (559mm x 864mm)

PLOT: 17/29/2013 9:54:30 AM

AECOM REVIEW DRFTCHK AECOM FILE NAME: 60297251-SHT-00-0000-S-4001.dwg Saved By: dencaudenw

NOTES

GENERAL NOTES

- ALL DIMENSIONS ARE IN MILLIMETERS UNLESS OTHERWISE NOTED. ALL ELEVATIONS ARE IN METERS AND ARE TO GEODETIC DATUM. THE CONTRACTOR SHALL VERIFY DIMENSIONS BEFORE BEGINNING CONSTRUCTION AND REPORT DISCREPANCIES TO THE CONTRACT ADMINISTRATOR BEFORE PROCEEDING WITH THE WORK. DO NOT SCALE THE DRAWINGS.
- THIS STRUCTURE IS DESIGNED IN ACCORDANCE WITH AND SHALL BE CONSTRUCTED IN COMPLIANCE WITH THE FOLLOWING BUILDING CODES AND APPLICABLE LOCAL BYLAWS:
 - ACI 350-06 ENVIRONMENTAL STRUCTURES
 - WHERE CONTRADICTIONARY REQUIREMENTS OCCUR, THE MOST STRINGENT SHALL APPLY.
- DISCREPANCIES OR AMBIGUITIES ON THE DRAWINGS AND/OR SITE, WHICH AFFECT THE STRUCTURAL FRAMING, SHALL BE REPORTED TO THE CONTRACT ADMINISTRATOR.
- THE CONTRACTOR SHALL VERIFY THE LOCATION OF ALL EXISTING UNDERGROUND SERVICES PRIOR TO START OF CONSTRUCTION.
- FOR OPENINGS IN SLABS, FLOOR, WALLS, ROOF, ETC REFER TO CIVIL AND PROCESS DRAWINGS.
- LOCATION OF CONSTRUCTION JOINTS IS THE RESPONSIBILITY OF THE CONTRACTOR, BUT APPROVAL MUST BE GRANTED BY THE CONTRACT ADMINISTRATOR BEFORE PROCEEDING.
- THE CONTRACTOR SHALL BE RESPONSIBLE FOR THE DESIGN AND INSTALLATION OF ALL NECESSARY SHORING, BRACING AND FORMWORK. FORM WORK FOR NEW CONSTRUCTION SHALL BE BRIDGED OVER EXISTING SERVICES. PROCEDURE MUST BE APPROVED BY ENGINEER.
- NOTIFY ENGINEER AT LEAST 48 HOURS PRIOR TO ALL CONCRETE POURS AND/OR INSTALLATION OF INTERIOR SHEATHING/FORMING, TO ALLOW FOR SITE REVIEWS. ALL CONCRETE WORK TO CSA A23.1 (LATEST).

CONCRETE

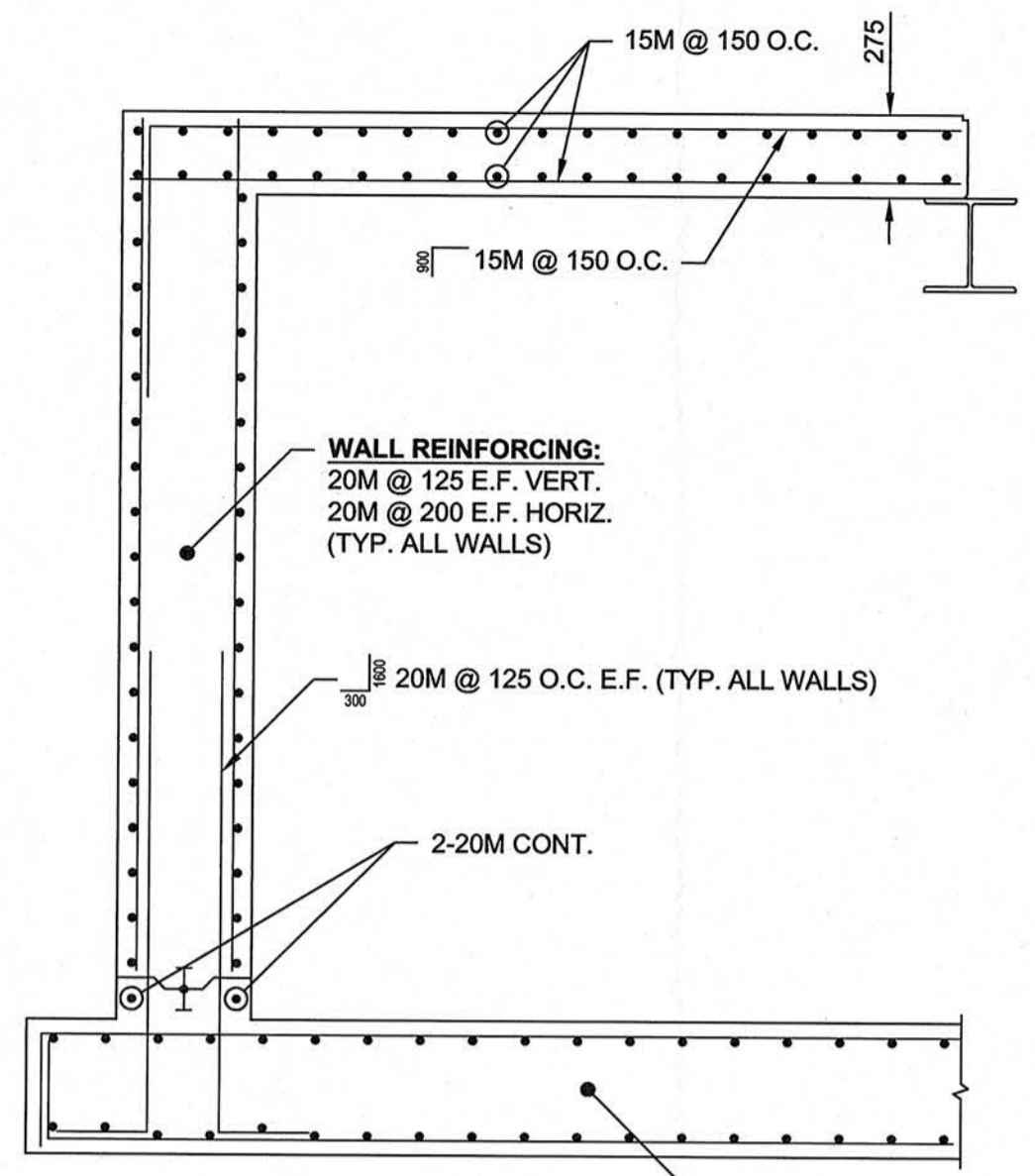
- ALL CONCRETE WORK TO CSA A23.1 (LATEST), TEST CONCRETE TO CSA A23.2 (LATEST).
- CONCRETE SHALL MEET THE FOLLOWING REQUIREMENTS:

MIX TYPE	INTENDED APPLICATION	MINIMUM COMPRESSIVE STRENGTH (MPa)	CSA EXPOSURE CLASS	CONCRETE COVER TO REINFORCING STEEL (mm)
1	STRUCTURAL CONCRETE FOR ROOFS & WALLS	35	S-1	50
2	STRUCTURAL CONCRETE FOR BASE SLAB	35	S-1	50 TOP 75 BOTTOM

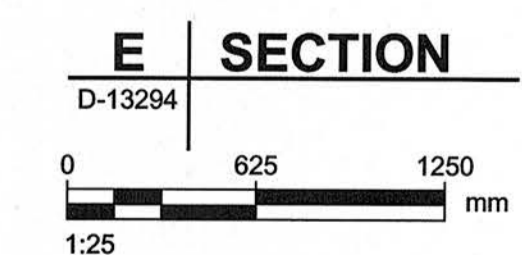
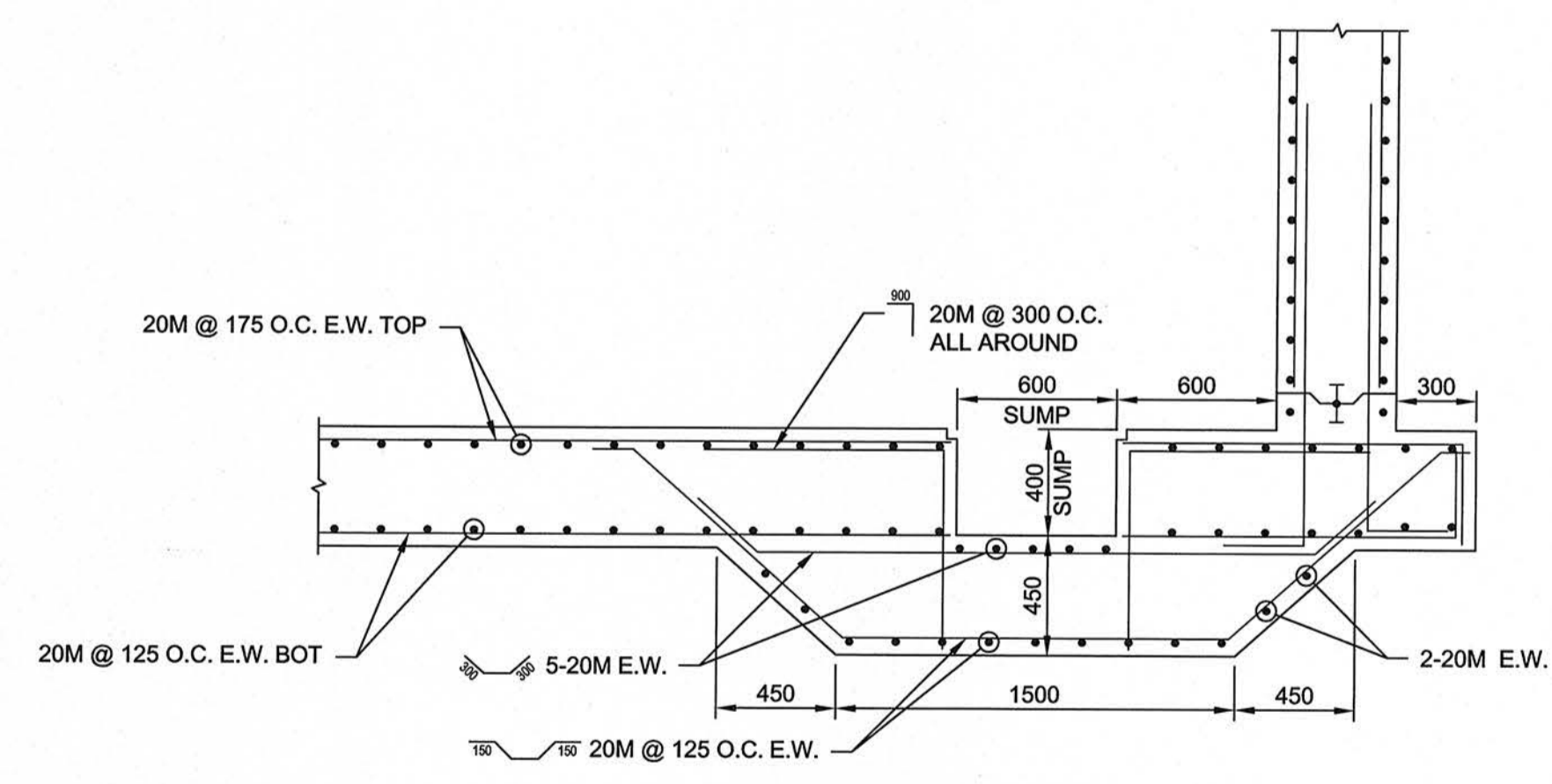
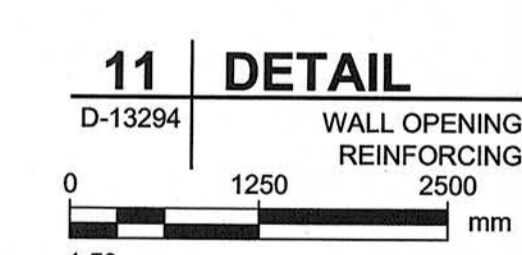
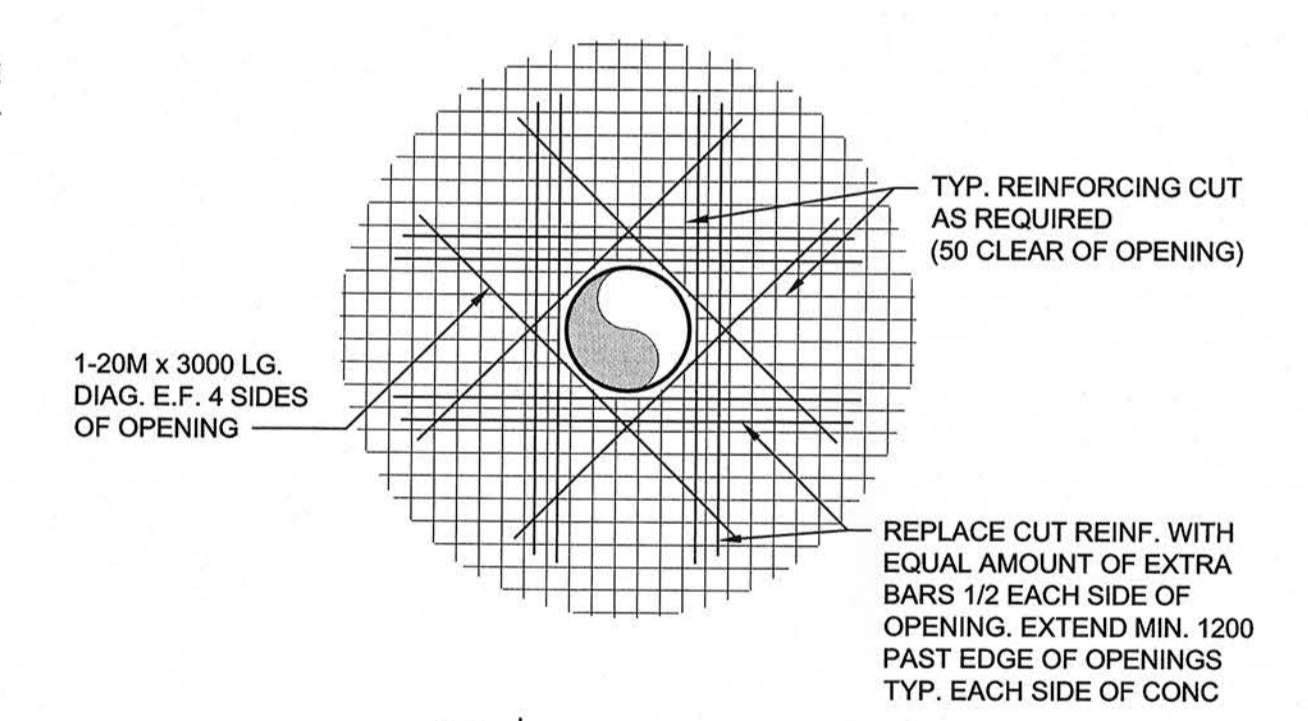
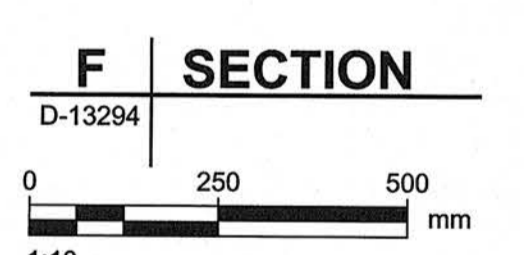
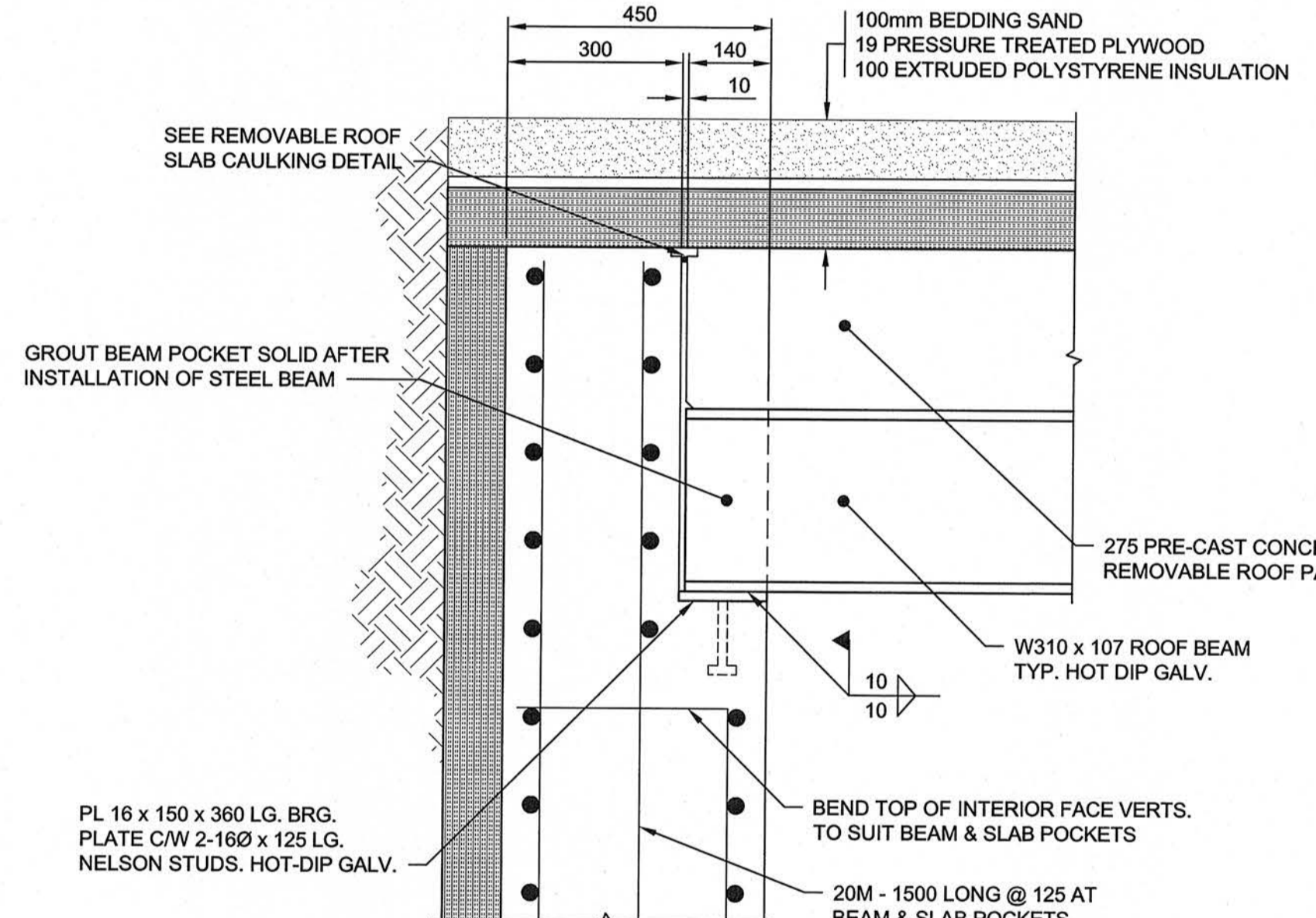
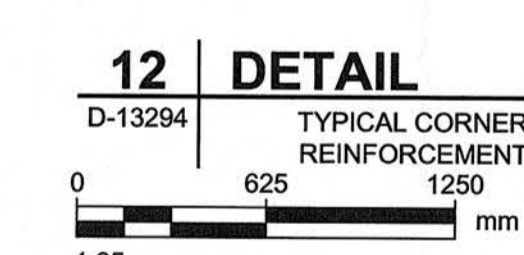
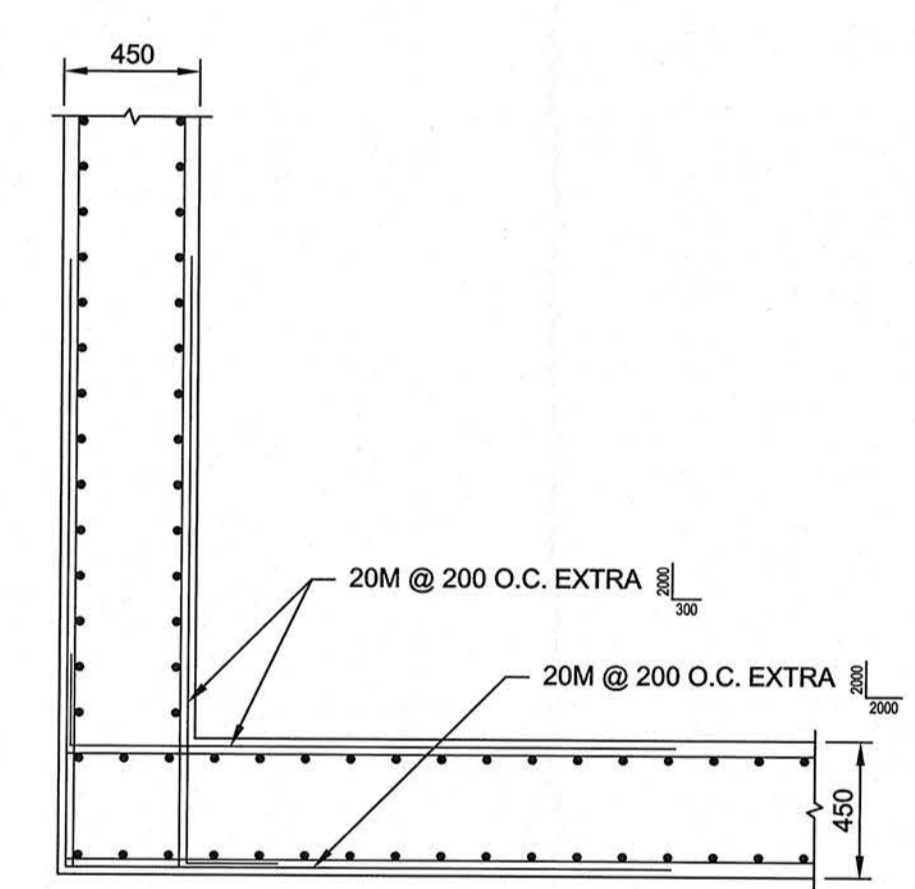
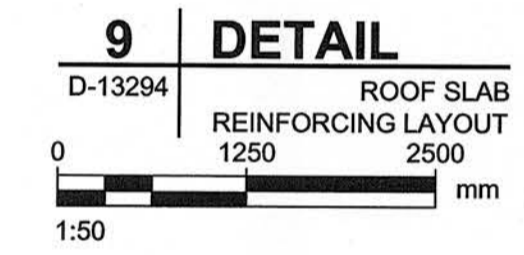
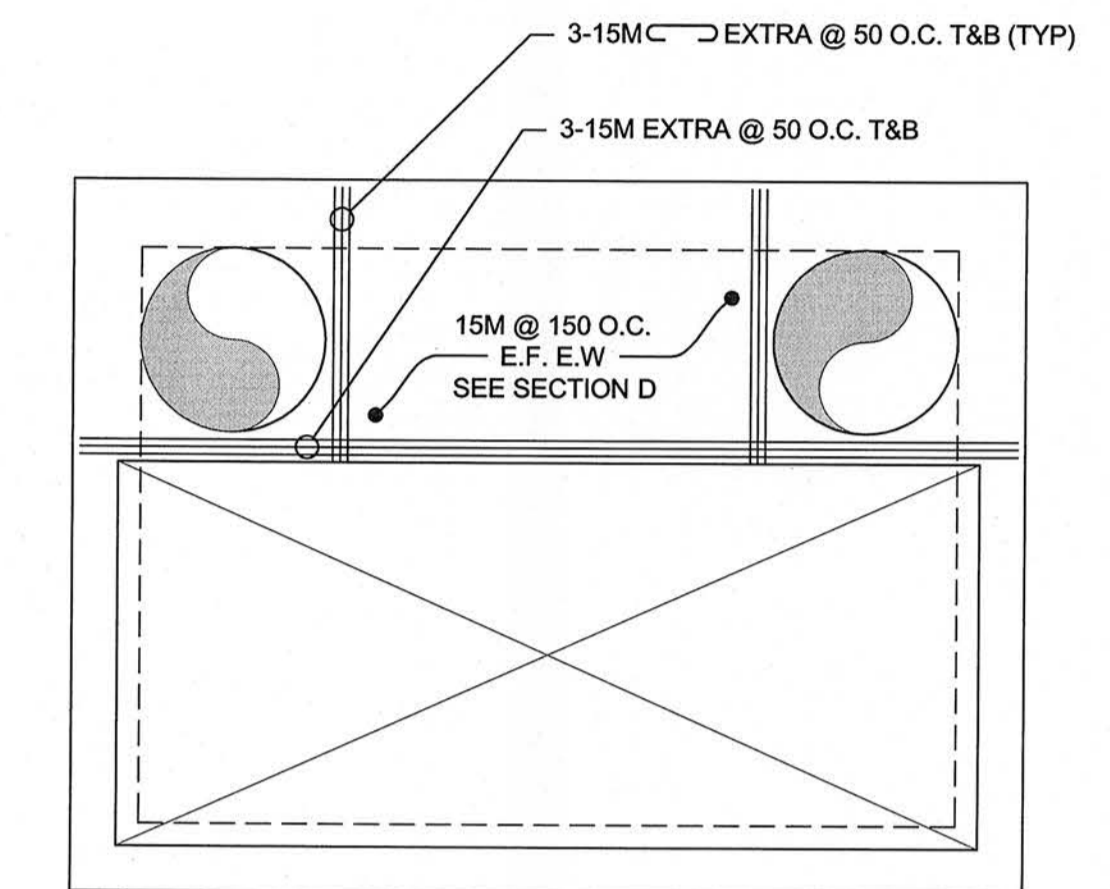
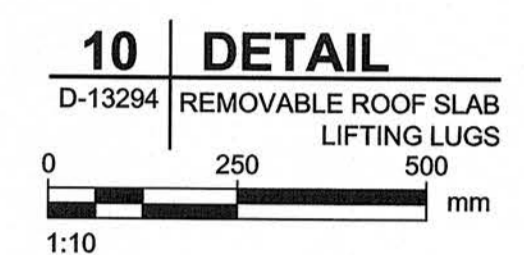
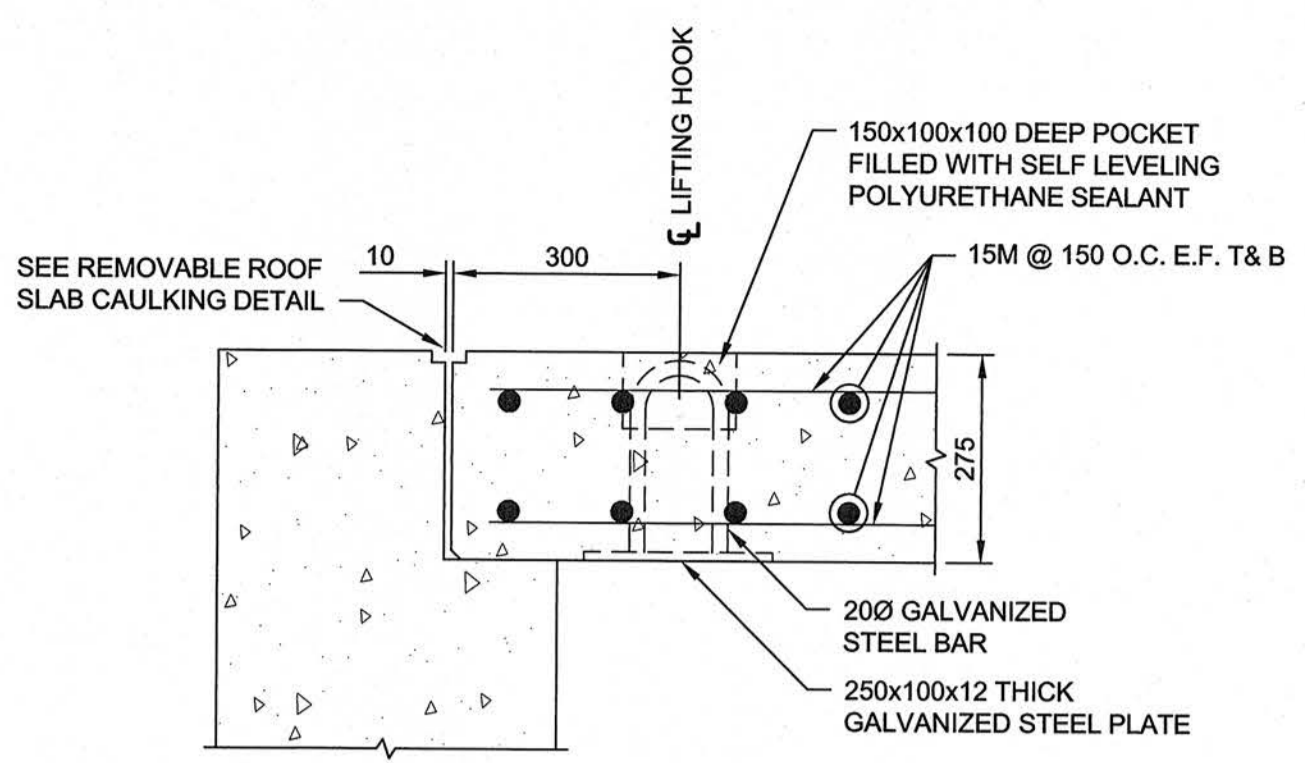
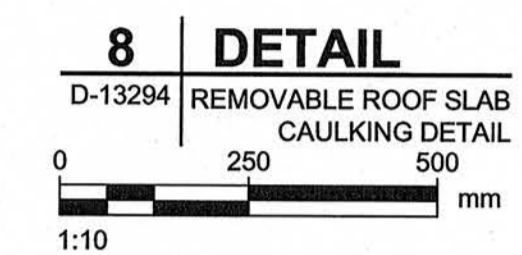
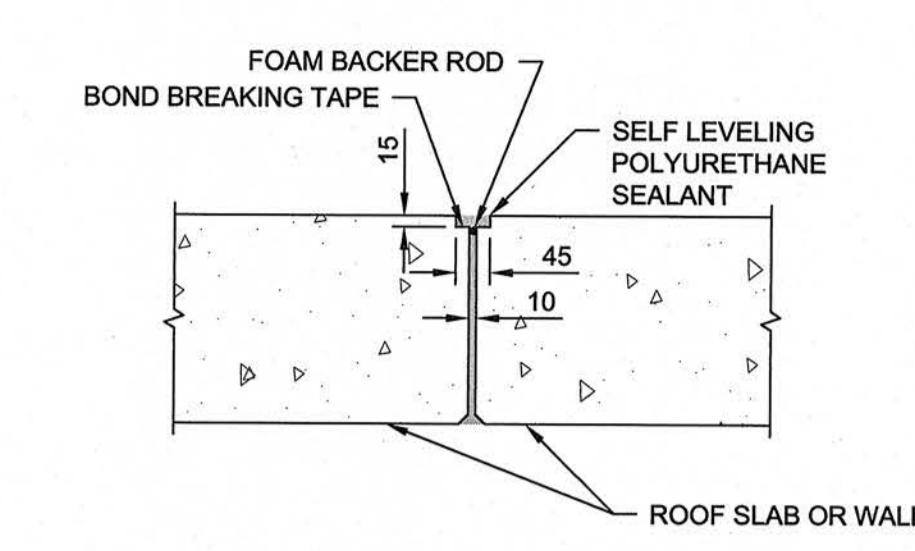
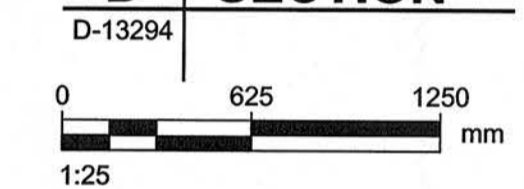
- FORMWORK AND FALSEWORK SHALL BE COMPLETED BY A PROFESSIONAL ENGINEER REGISTERED IN THE PROVINCE OF MANITOBA. SUBMIT TO ENGINEER FOR REVIEW.

REINFORCING STEEL

- REINFORCING STEEL: NEW DEFORMED BARS TO CSA G30.18 "BILLET STEEL BARS FOR CONCRETE REINFORCEMENT", WITH MIN 400 MPa YIELD STRENGTH.
- DEFORMED BARS CONFORMING TO CSA G30.18, GRADE 400. LAP SPLICES AS PER CSA A23.3.
- REINFORCING WORK SHALL BE IN ACCORDANCE WITH CSA A23.1 AND CSA A23.3.



D SECTION



LOCATION APPROVED
UNDERGROUND STRUCTURES

SUPR. U/G STRUCTURES COMMITTEE DATE

NOTE:
LOCATION OF UNDERGROUND STRUCTURES AS SHOWN ARE BASED ON THE BEST INFORMATION AVAILABLE. BUT NO GUARANTEE IS GIVEN THAT ALL EXISTING UTILITIES ARE SHOWN OR THAT THE GIVEN LOCATIONS ARE EXACT. CONFIRMATION OF EXISTENCE AND EXACT LOCATION OF ALL SERVICES MUST BE OBTAINED FROM THE INDIVIDUAL UTILITIES BEFORE PROCEEDING WITH CONSTRUCTION.

0	ISSUED FOR CONSTRUCTION	13/07/26	ADL
NO.	REVISIONS	YYMMDD	BY

AECOM
WHOLE NUMBERS INDICATE MILLIMETRES
DECIMALIZED NUMBERS INDICATE METRES

DESIGNED BY	JAT	CHECKED BY	JAT
DRAWN BY	ADL	APPROVED BY	[Signature]
HOR. SCALE	AS NOTED	RELEASED FOR CONSTRUCTION	[Signature]
VERT. SCALE	N/A	DATE	July 29/13

APEGM
Certificate of Authorization
AECOM Canada Ltd.
No. 4671 Date: July 29/13

PROFESSIONAL'S SEAL
PROVINCE OF MANITOBA
REGISTERED PROFESSIONAL ENGINEER
S.B. BISWANGER
2013/07/29
CONSULTANT DRAWING NO.
60297251-SHT-00-0000-S-4001

THE CITY OF WINNIPEG
WATER AND WASTE DEPARTMENT

REPLACEMENT OF FEEDERMAIN VALVE CHAMBER, PIPING & ASSOCIATED WORKS AT ELDRIDGE AVENUE & HANEY STREET

STRUCTURAL
VALVE CHAMBER
CONCRETE & REINFORCING DETAILS

SHEET 05 OF 05
CITY DRAWING NUMBER
D-13296
REV 0

BID OPPORTUNITY NO. 645-2013