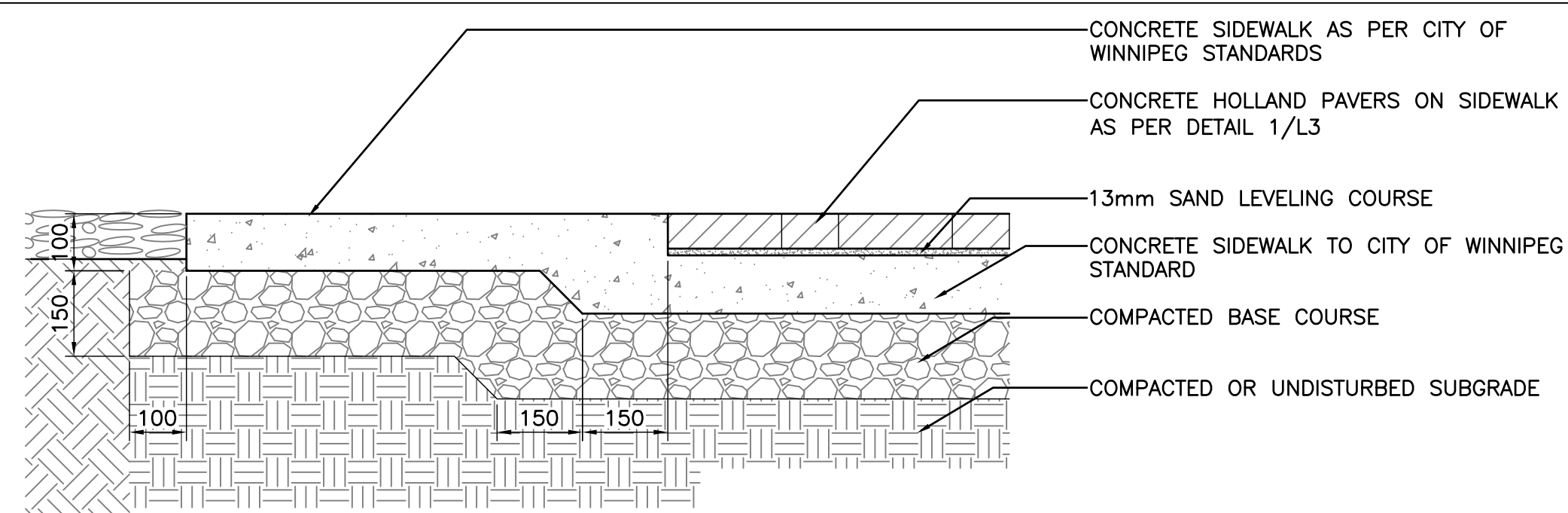
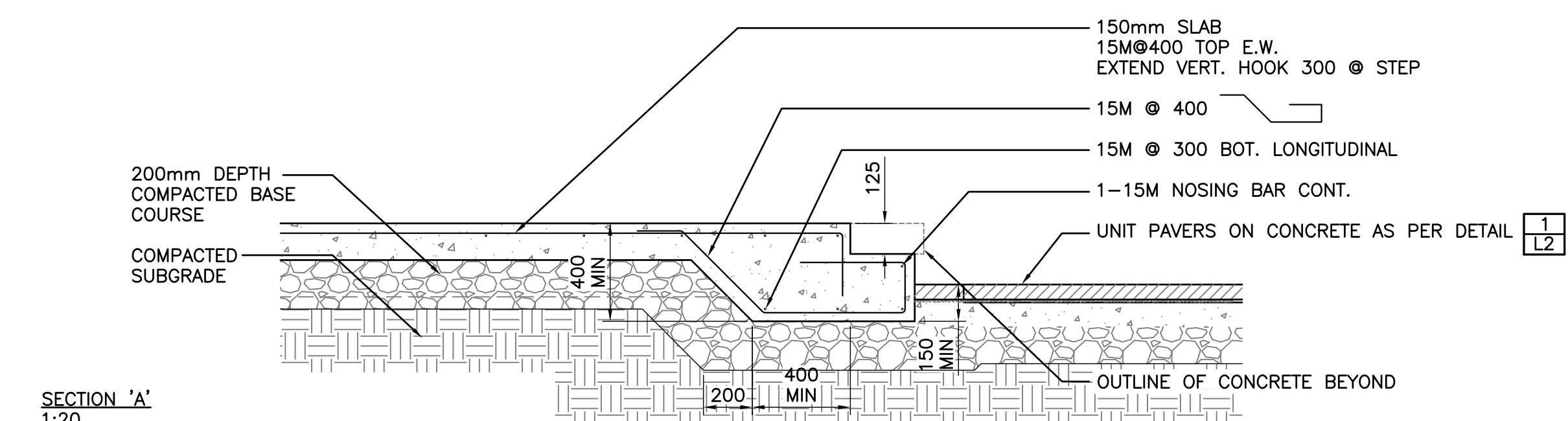


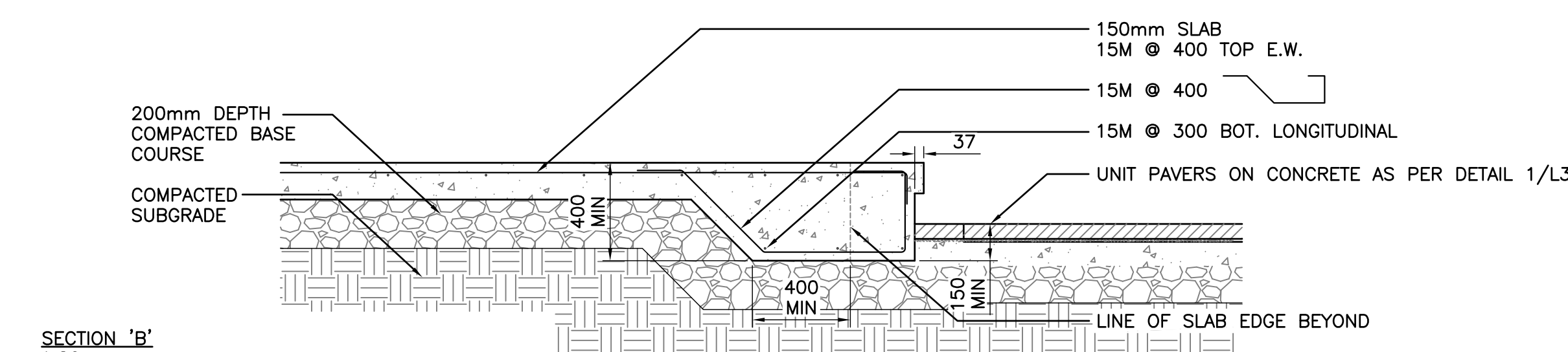
1 UNIT PAVERS ON CONCRETE SIDEWALK
L1 1:10



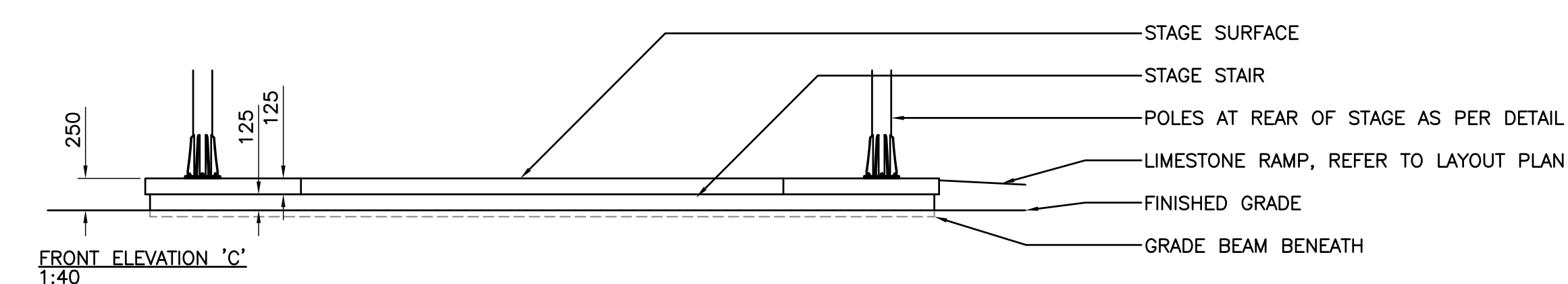
2 CONCRETE SIDEWALK
L1 1:10



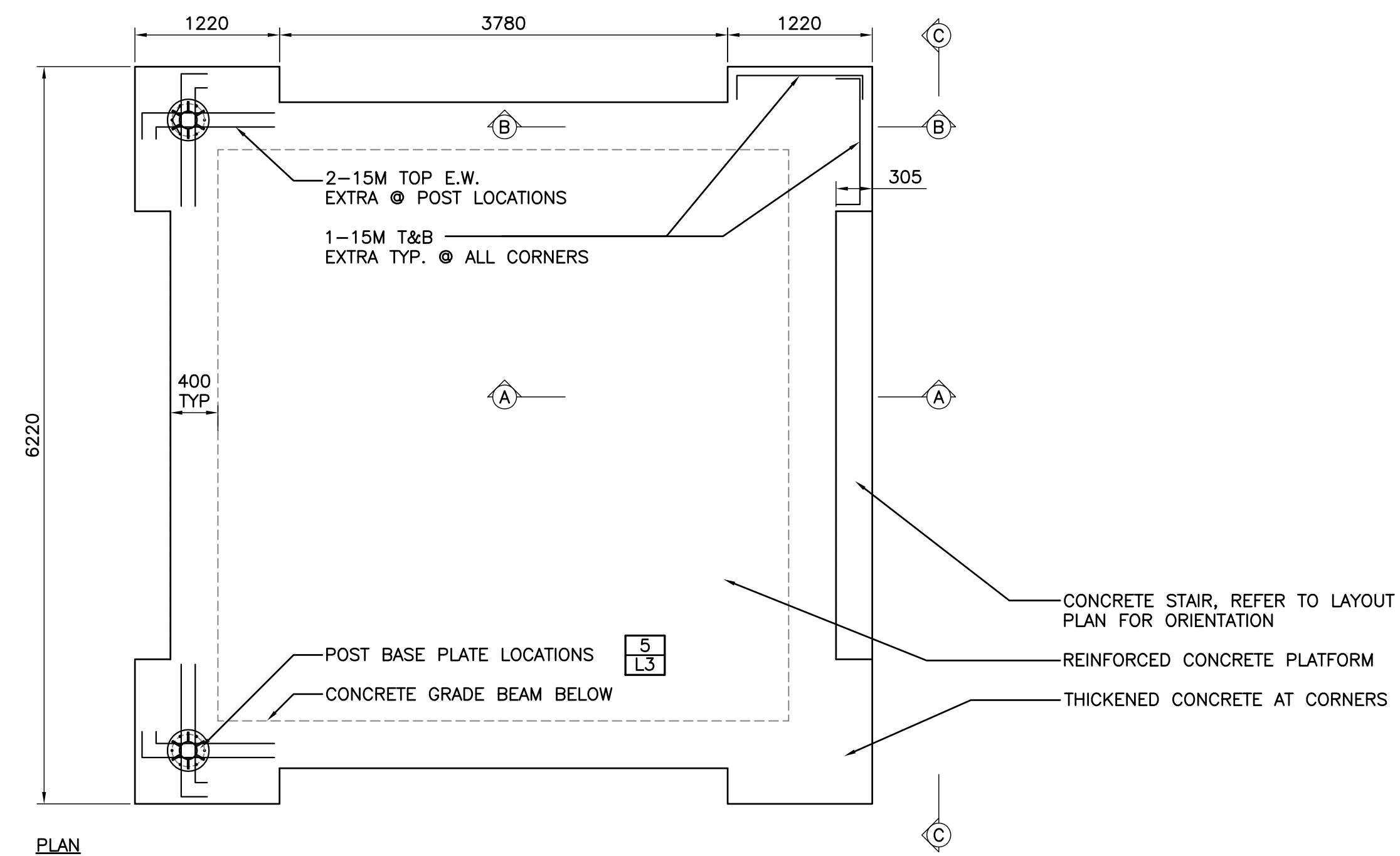
SECTION 'A'
1:20



SECTION 'B'
1:20

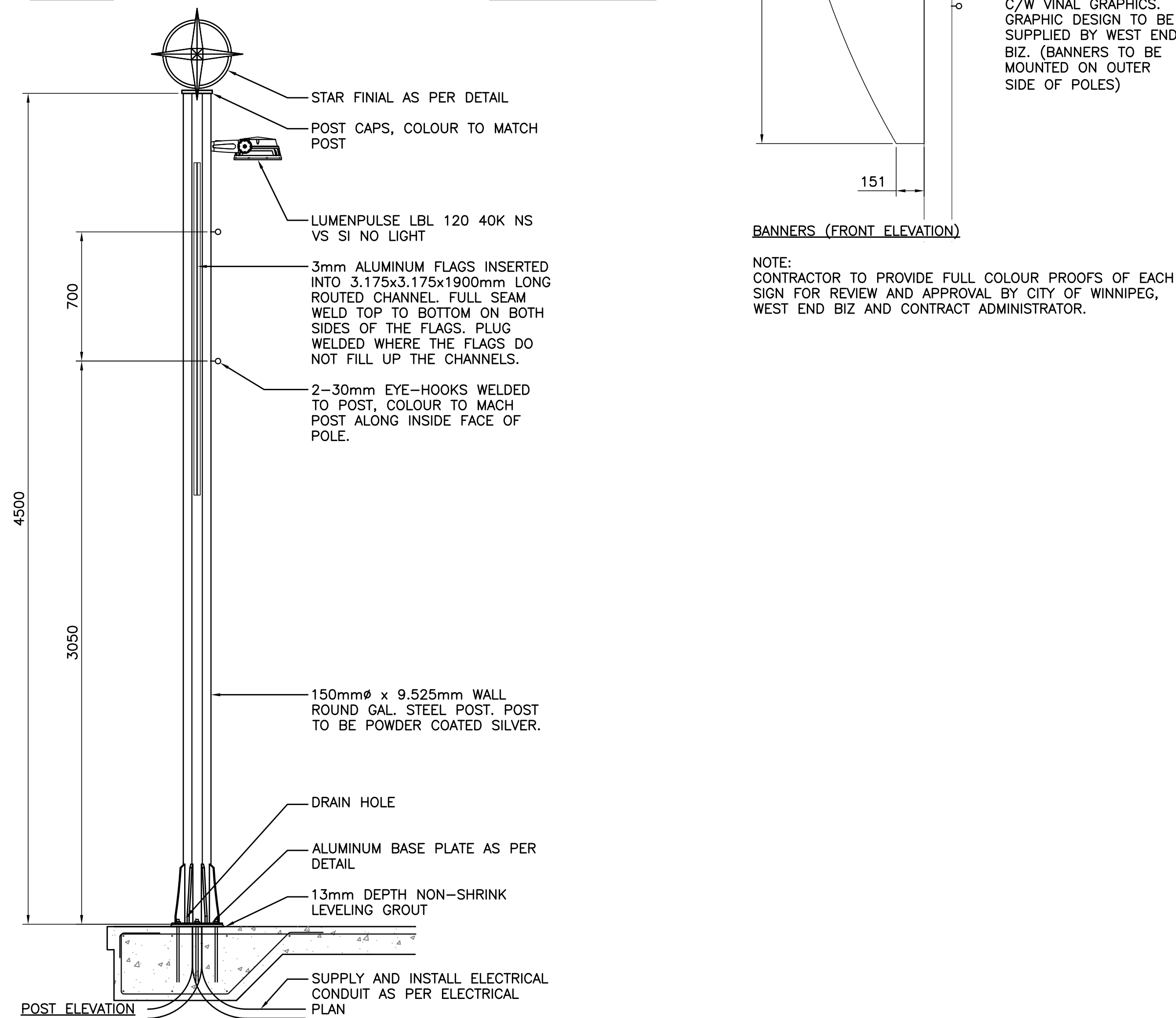
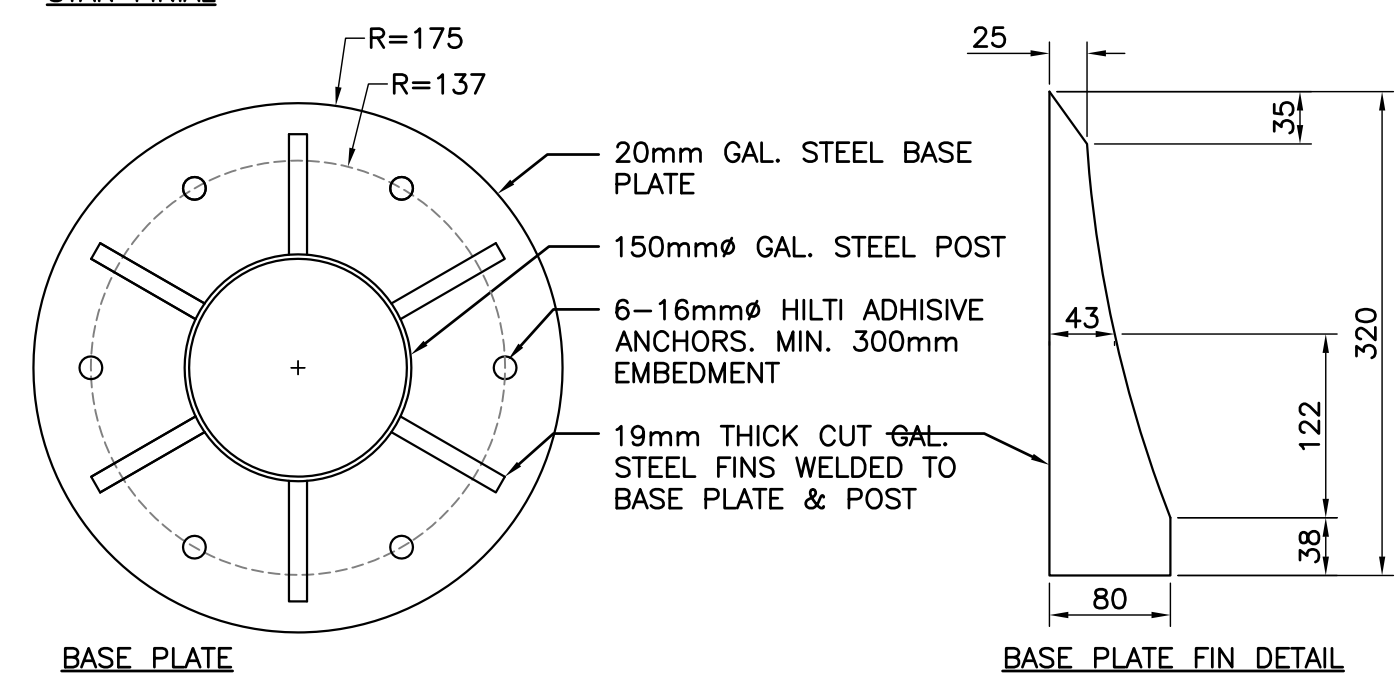
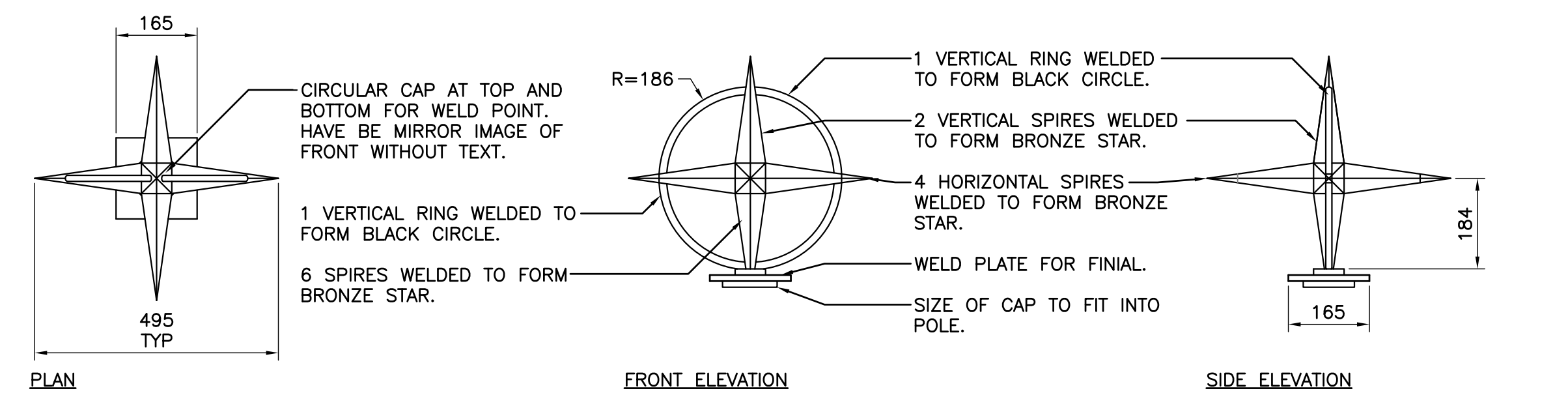


FRONT ELEVATION 'C'
1:40



PLAN
1:40

3 CONCRETE PLATFORM STAGE
L1 AS NOTED



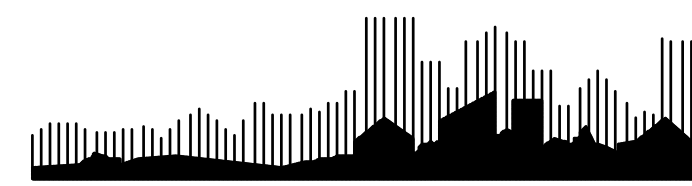
4 DECORATIVE STAGE POST
L3 1:20

CONTRACTOR TO SUPPLY SHOP DRAWINGS STAMPED BY A STRUCTURAL ENGINEER LICENSED TO PRACTICE IN THE PROVINCE OF MANITOBA WITH EXTENSIVE EXPERIENCE IN THE DESIGN & MANUFACTURING OF METAL FABRICATION. SHOP DRAWINGS TO INCLUDE WALL THICKNESSES, MATERIALS ETC. AS LISTED IN THE SPECIFICATIONS AND ALL FOUNDATIONS.

ALL DIMENSIONS PROVIDED FOR INFORMATION ON DESIGN INTENT.

NOTE: CONTRACTOR TO PROVIDE FULL COLOUR PROOFS OF EACH SIGN FOR REVIEW AND APPROVAL BY CITY OF WINNIPEG, WEST END BIZ AND CONTRACT ADMINISTRATOR.

No.	Revisions	Date	By
15-08-13	AS NOTED		



CITY OF WINNIPEG
WEST END BIZ
SAIGON PARK
UPGRADES

DETAILS