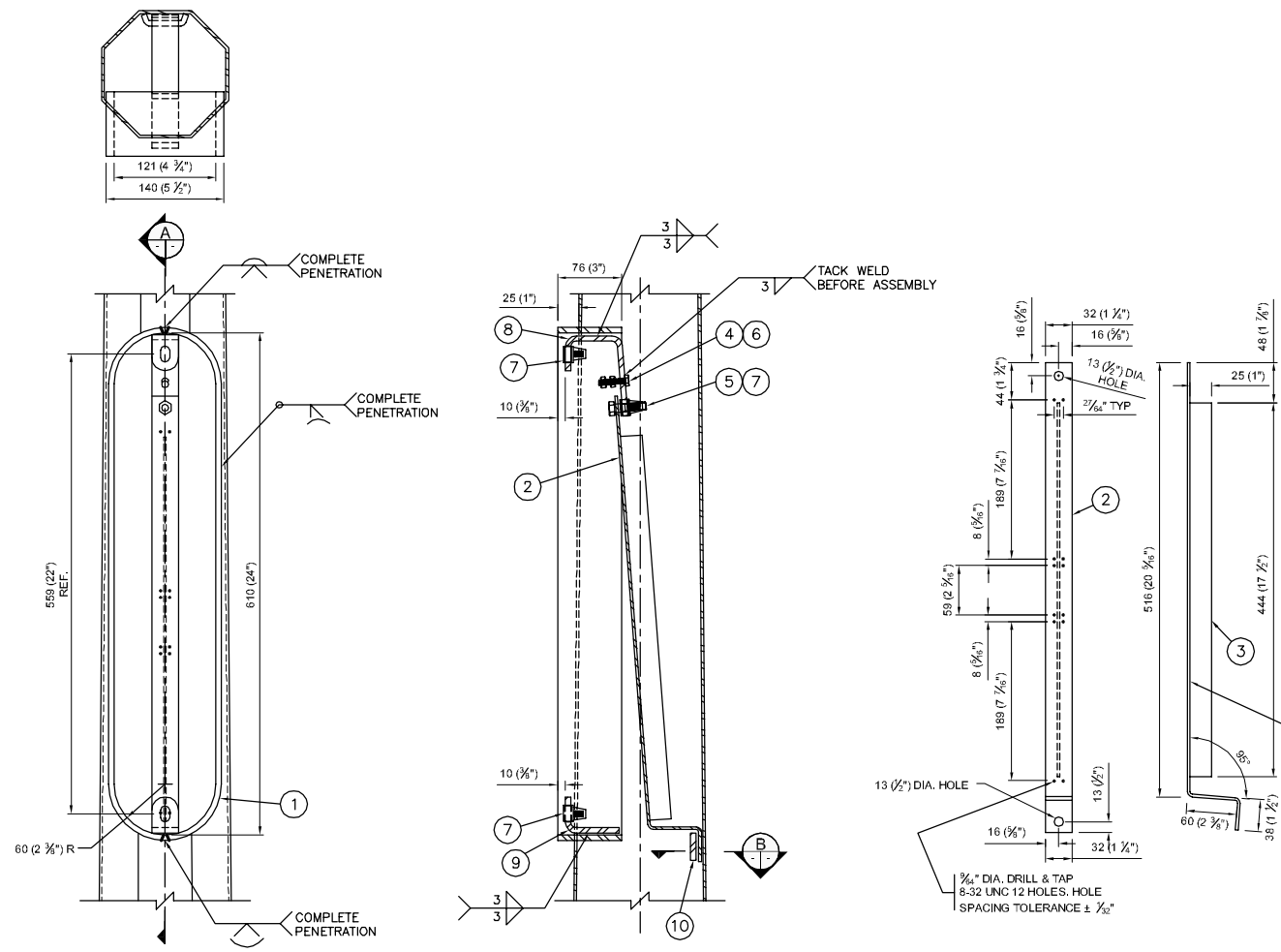


**BILL OF MATERIALS**

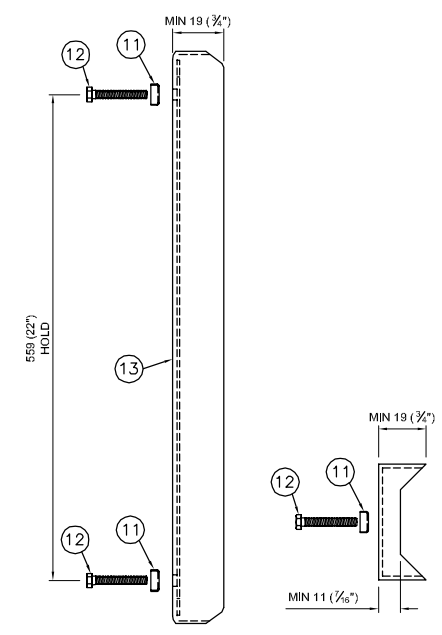
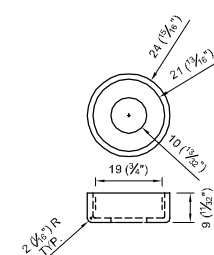
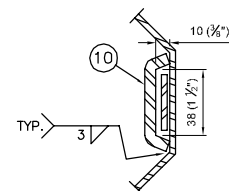
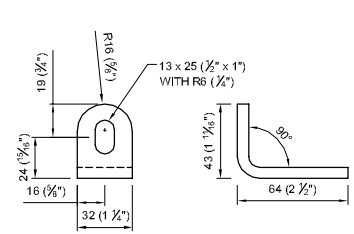
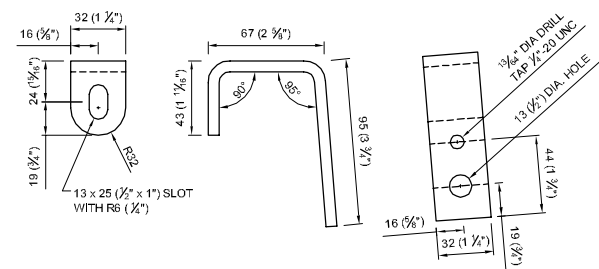
MK. NO.	QTY. REQ'D.	DESCRIPTION	SIZE	MATERIAL	REMARKS	LINE NO.
		<b>ACCESS PANEL</b>				1
1	2	ACCESS PANEL RING	9.5 x 76 x 686 (3/8" x 3" x 27")	CSA G40.21 300W		2
2	1	TERMINAL STRIP BRACKET	4.55 x 32 x 614 (7 GA. x 1 1/4" x 24 3/8")	CSA G40.21 350W	RE-TAP AFTER GALVANIZING	3
3	1	TERMINAL REINFORCING STRIP	3.04 x 25 x 444 (11 GA. x 1" x 17 1/2")	CSA G40.21 350W		4
4	1	HEX BOLT	1/4"-20 UNC FULL THREAD x 1 1/2" LONG	ASTM F593 TYPE 316	RE-TAP AFTER GALVANIZING	5
5	1	HEX BOLT	3/8"-16 UNC FULL THREAD x 1 1/2" LONG	ASTM F593 TYPE 316		6
6	2	HEX NUT	1/4"-20 UNC	ASTM F593 TYPE 316		7
7	3	AU-VE-CO NO. 10054 NUT OR EQUAL	3/8"-16 UNC	STEEL PLATED		8
8	1	UPPER BRACKET	6.35 x 32 x 191 (1/4" x 1 1/4" x 7 1/2")	CSA G40.21 300W		9
9	1	LOWER BRACKET	6.35 x 32 x 102 (1/4" x 1 1/4" x 4")	CSA G40.21 300W		10
10	1	KEEPER BRACKET	6.35 x 32 x 64 (1/4" x 1 1/4" x 2 1/2")	CSA G40.21 300W		11
11	2	TAMPER PROOF CUP WASHER	16 GA.	ASTM B209 GR. 3003-H14	SUITABLE FOR 3/8" BOLT	12
12	2	HEX BOLT	3/8"-16 UNC FULL THREAD x 2 1/2" LONG	ASTM F593 TYPE 316		13
						14
13	1	NON-METALLIC ACCESS PANEL COVER			SUPPLIED BY OTHERS	15

**NOTES:**

- ALL MATERIALS, EXCEPT STAINLESS STEEL ITEMS, SHALL BE HOT DIP GALVANIZED IN ACCORDANCE WITH ASTM A123-09 (PLUS LATEST REVISIONS) WITH NET RETENTION OF 610 g/m<sup>2</sup>.
- SHIP WITH MK. 11 & 12 INSTALLED IN MK. 7 (TOP AND BOTTOM).
- GRIND ALL SHARP POINTS AND EDGES.
- WHERE METRIC AND IMPERIAL UNITS ARE SHOWN, IMPERIAL UNITS SHALL TAKE PRECEDENCE.
- NON-METALLIC ACCESS PANEL COVER SUPPLIED BY OTHERS.



**FRONT VIEW**  
 MK. 11, 12 & 13 NOT SHOWN FOR CLARITY



**SECTION**  
**PLAN**  
**ACCESS PANEL COVER**

G:\CAD\125954\Contract\Current\ACCESS\_PANEL.dwg

**APEGM**  
 Certificate of Authorization  
 Dillon Consulting Limited (MB)  
 No. 1789 Date: JAN. 14, 2013

**REDUCED DRAWING**  
 N.T.S.

NO.	REVISIONS	DATE	BY	DATE
1	ISSUED BY DILLON CONSULTING	1/14/13	CDW	

DESIGNED BY	CDW
DRAWN BY	JGW
CHECKED BY	SSR
APPROVED BY	-
HOR. SCALE	NTS
VERTICAL	NTS
RELEASED FOR CONSTRUCTION	
DATE	

**DILLON CONSULTING**

ENGINEER'S SEAL  
 PROVINCE OF MANITOBA  
 ORIGINAL STAMPED BY  
**S.S. RIHAL**  
 REGISTERED PROFESSIONAL ENGINEER  
 JAN. 14, 2013  
 CONSULTANT PROJECT NUMBER  
 12-5954

**THE CITY OF WINNIPEG**  
 PUBLIC WORKS DEPARTMENT

**Winnipeg**

ACCESS PANEL DETAILS

CITY DRAWING NUMBER	N/A
SHEET	13 OF 13
CONSULTANT DRAWING NUMBER	N/A