

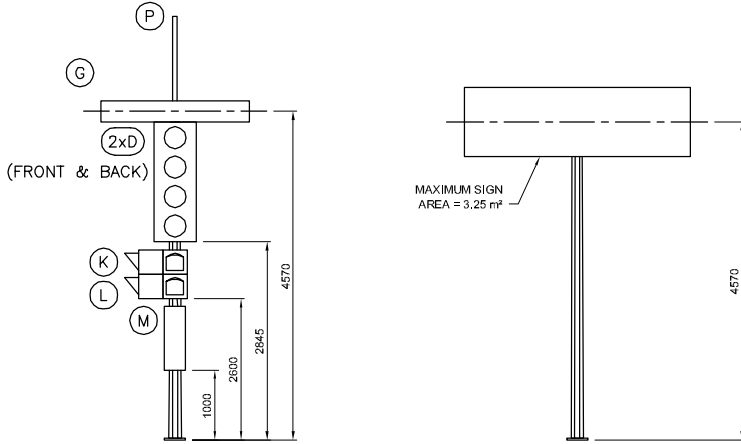
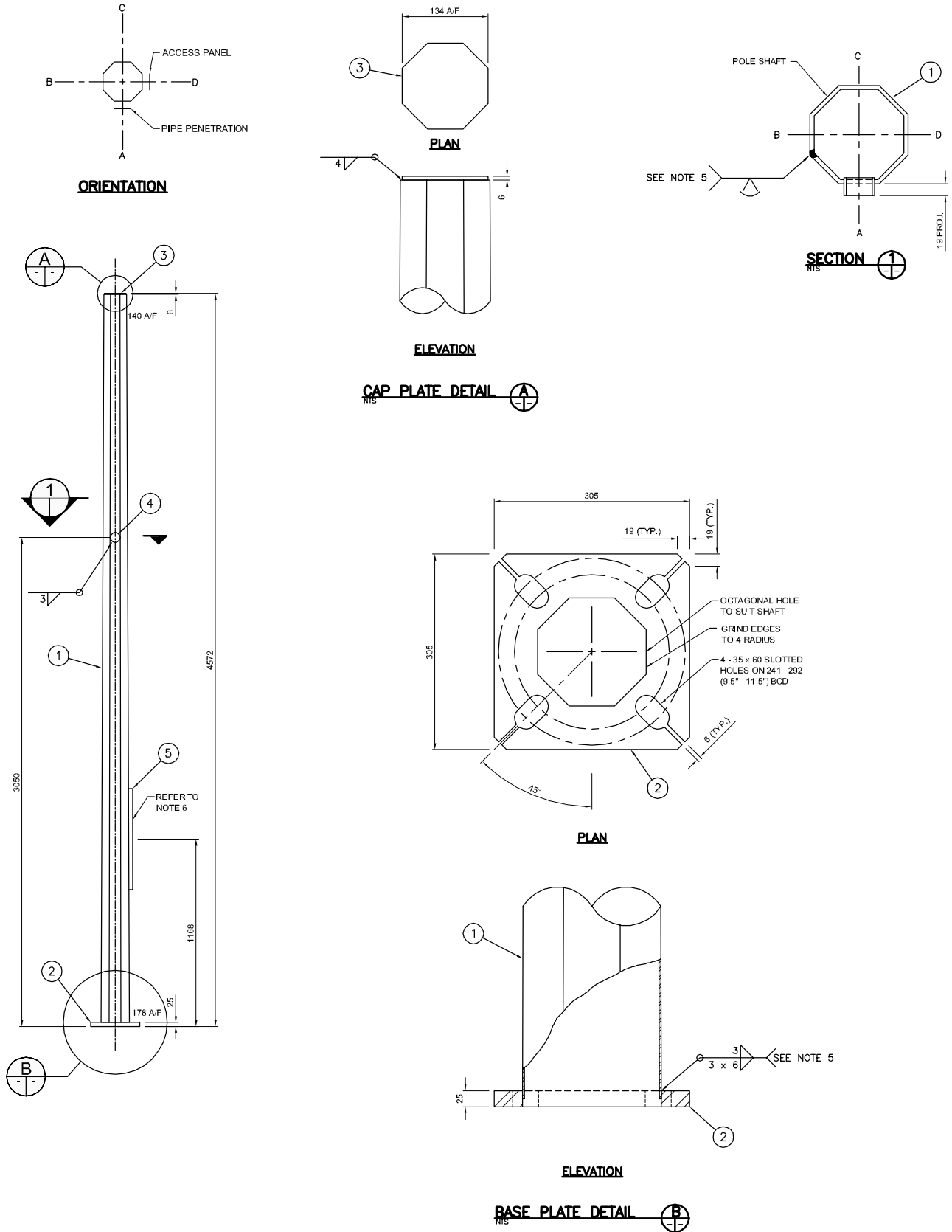
BILL OF MATERIALS

MK. NO.	QTY. REQ'D.	DESCRIPTION	SIZE	MATERIAL	REMARKS	LINE NO.	
		4.572 m (15') STRAIGHT POLE - S15					1
1	1	OCTAGONAL SECTION SHAFT	178 A/F - 140 A/F x 3.083	CSA G40.21 350W		2	
2	1	BASE PLATE	25 x 305 x 305	CSA G40.21 300W		3	
3	1	CAP PLATE	134 A/F x 6 THK.	CSA G40.21 300W		4	
4	1	PIPE PENETRATION (1 1/2") C/W PLUG	48 O.D. X 25	ASTM A53 GR. B SCH. 40	REMOVE BURRS AND SHARP EDGES	5	
						6	
5	1	ACCESS PANEL			SEE NOTE 6	7	

APPROXIMATE TOTAL MASS = 72 kg

NOTES:

- ALL MATERIALS, EXCEPT STAINLESS STEEL ITEMS, SHALL BE HOT DIP GALVANIZED IN ACCORDANCE WITH ASTM A123-09 (PLUS LATEST REVISIONS) WITH NET RETENTION OF 610 g/m².
- PROVIDE RAISED IDENTIFICATION NUMBER WITH WELDING ELECTRODE AS PER SPECIFICATION, STRUCTURE TYPE CODE = S15.
- GRIND ALL SHARP POINTS AND EDGES.
- LONGITUDINAL SEAM WELD SHALL HAVE 60% MINIMUM PENETRATION EXCEPT WITHIN 150 mm OF BASE PLATE AND CAP PLATE SHALL BE COMPLETE PENETRATION.
- EXTERIOR WELD JOINING SHAFT TO BASE PLATE SHALL BE AN UNEQUAL LEG FILLET WELD WITH THE LONG LEG OF THE WELD ALONG THE SHAFT, TERMINATING AT 30° FROM THE SHAFT'S SURFACE.
- PROVIDE ACCESS PANEL IN ACCORDANCE WITH SHEET 13.

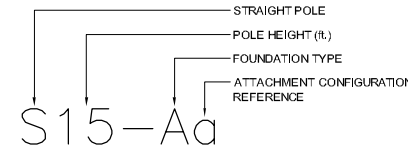


S15-Aa
S15-Ba
S15-Ga

S15-Ab
S15-Bb
S15-Gb

ATTACHMENT CONFIGURATION NOTES:

- CONFIGURATIONS SHOWN TO BE INSTALLED ON TYPE A, B, or G-T BREAKAWAY BASE.
- REFER TO SHEET 1 FOR DESIGN NOTES AND ATTACHMENT DATA.



NAMING CONVENTION



REDUCED DRAWING
N.T.S.

G:\CAD\125954\Contract\Current\EXTENSION & STRAIGHT POLE.dwg

B.M. ELEV.	DESIGNED BY CDW				CITY DRAWING NUMBER N/A	
	DRAWN BY JGW				4.57 m (15') STRAIGHT POLE	SHEET 12 OF 13
	CHECKED BY SSR					CONSULTANT DRAWING NUMBER N/A
	APPROVED BY -					
	HOR. SCALE NTS	RELEASED FOR CONSTRUCTION	CONSULTANT PROJECT NUMBER 12-5954			
	VERTICAL NTS					
1 ISSUED BY DILLON CONSULTING	1/14/13	CDW				
NO. REVISIONS	DATE	BY	DATE			