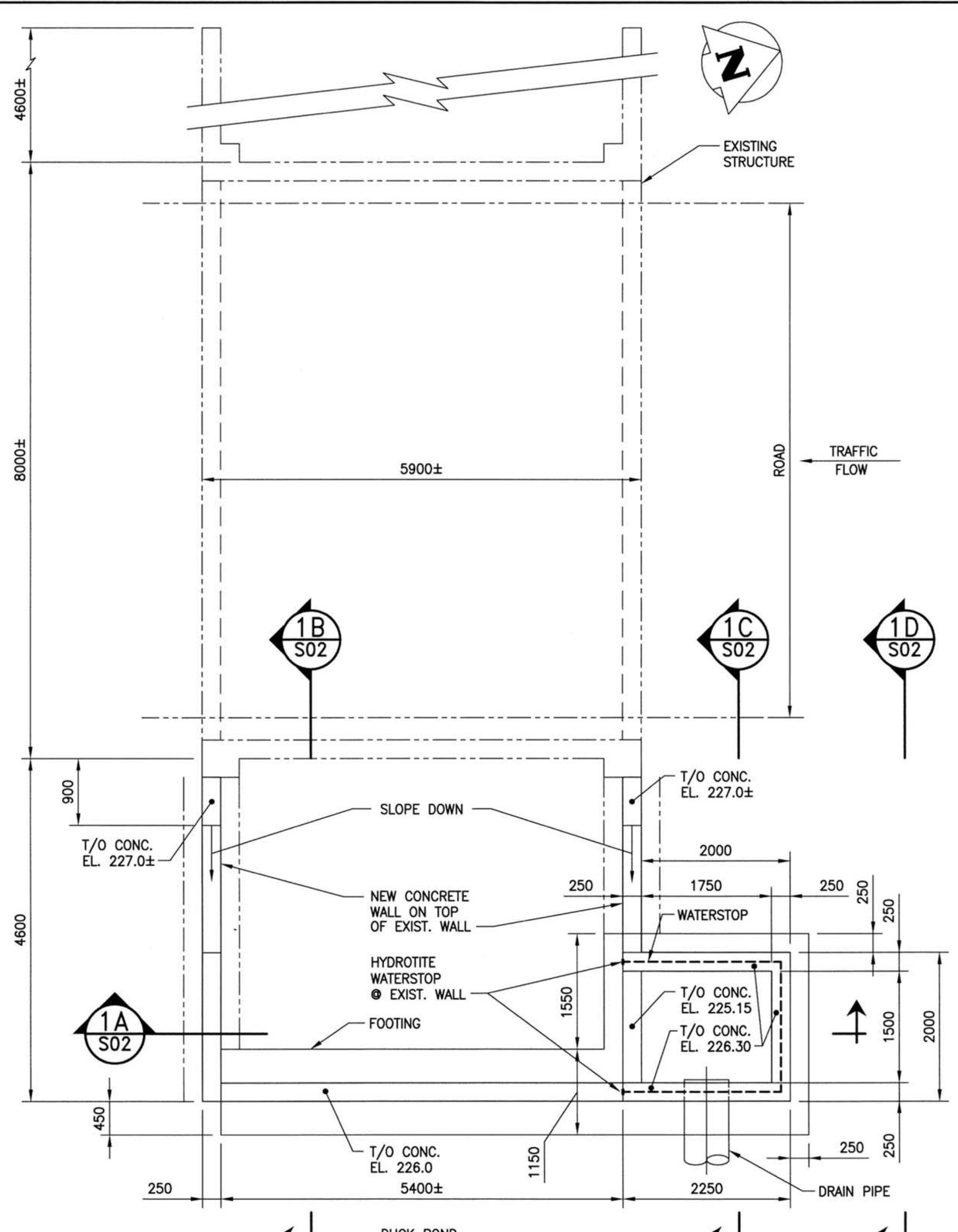
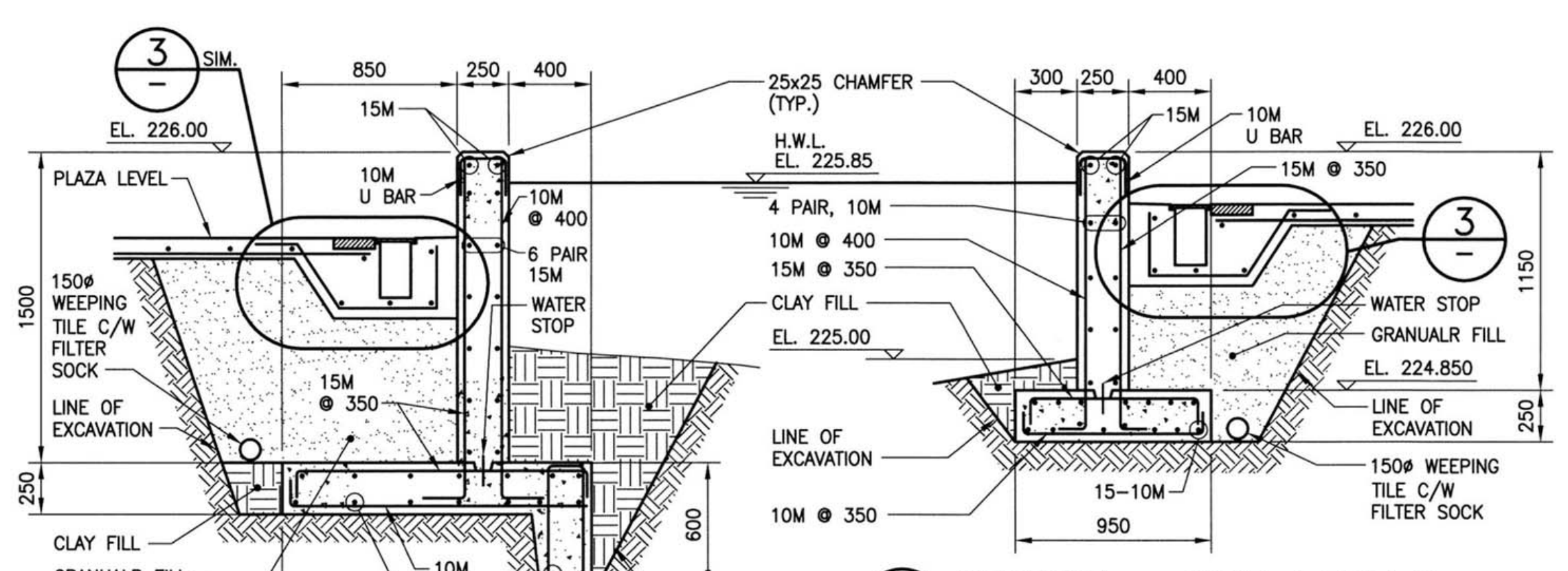


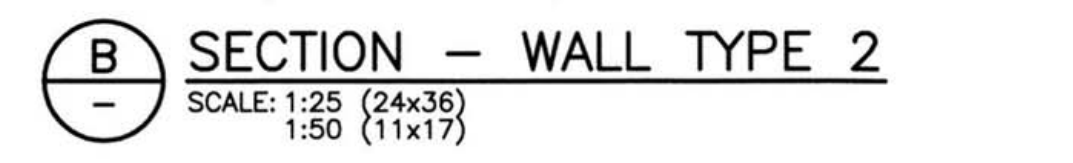
File: \\p:\p\Projects\2013\13-0109-001\DocControl\ToBeIssued\DWG\13-0109-001_S01-Rev 0.dwg - Tab: S01 Plotted By: Dberoché 14/04/14 [Mon 3:48pm]
 Z:\x387\FLOI SCALE: 1:1



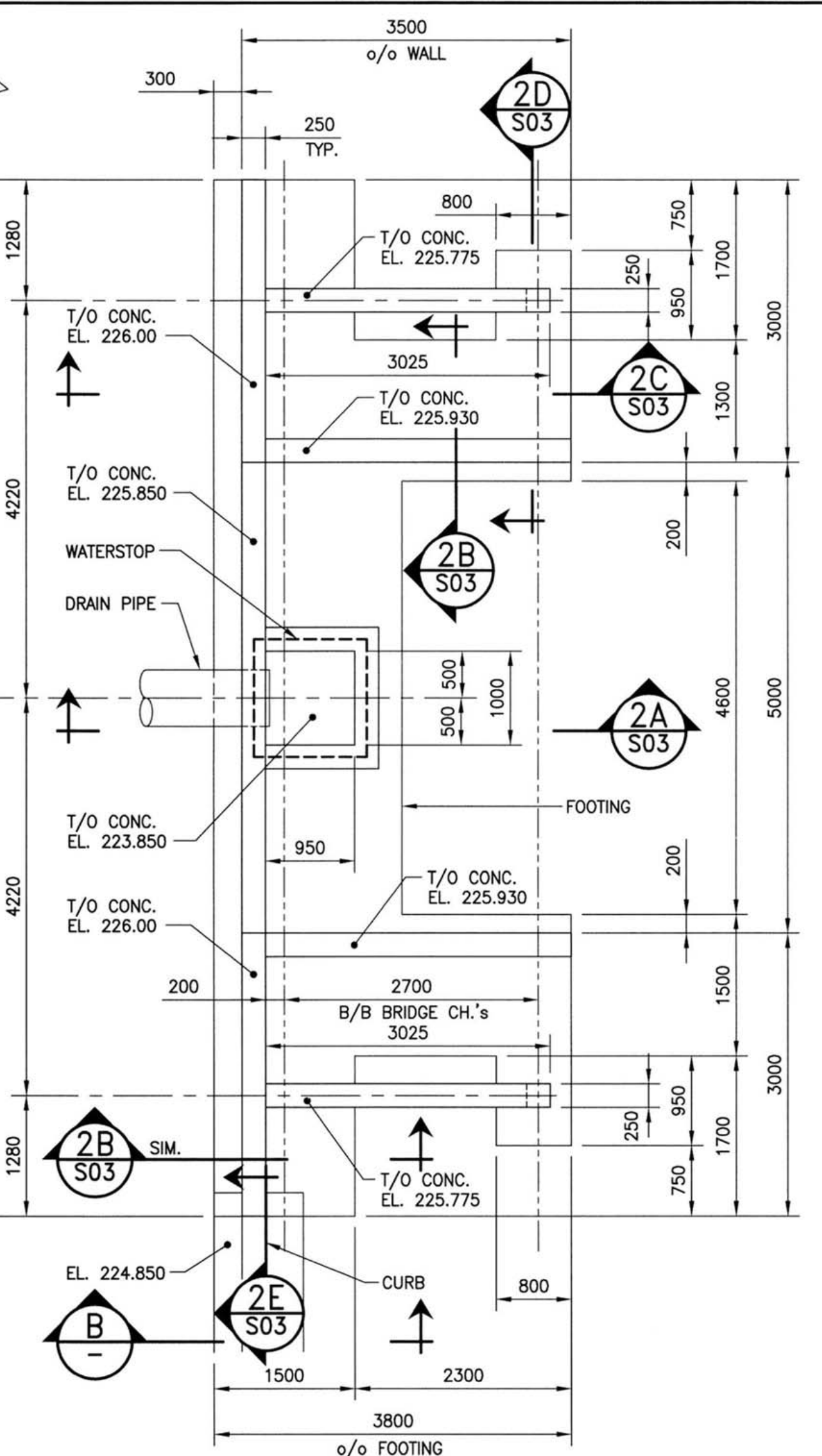
1 DETAIL - VEHICLE BRIDGE STRUCTURE
SCALE: 1:50 (24x36)
1:100 (11x17)



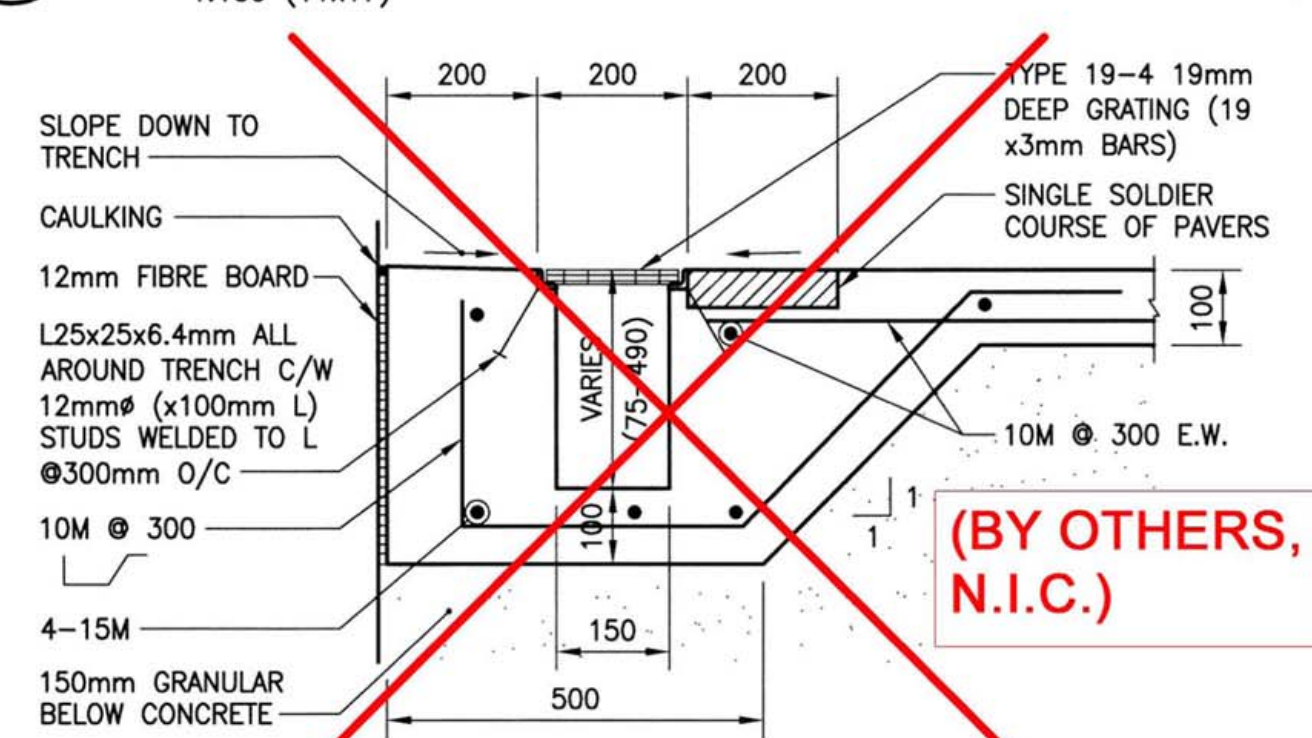
A SECTION - WALL TYPE 1
SCALE: 1:25 (24x36)
1:50 (11x17)



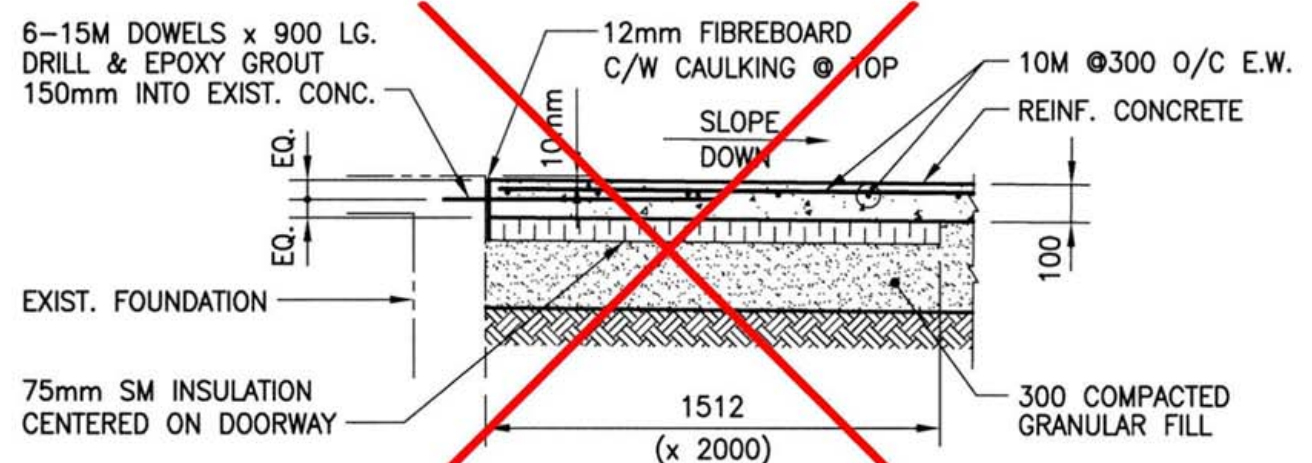
B SECTION - WALL TYPE 2
SCALE: 1:25 (24x36)
1:50 (11x17)



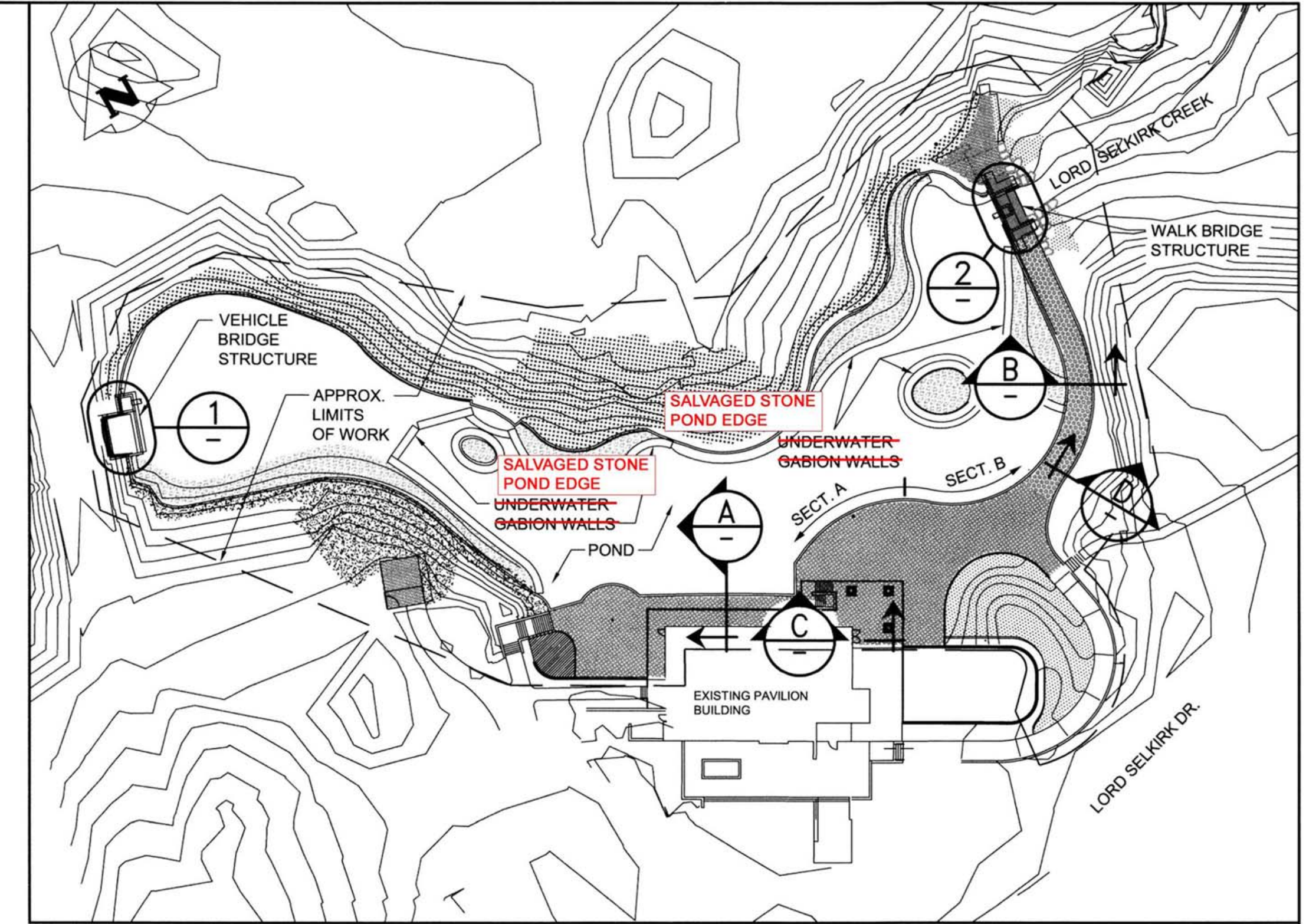
2 DETAIL - WALK BRIDGE STRUCTURE
SCALE: 1:50 (24x36)
1:100 (11x17)



3 DETAIL
SCALE: 1:10 (24x36)
1:20 (11x17)



C SECTION - @ DOUBLE DOORS
SCALE: 1:25 (24x36)
1:50 (11x17)



KEY PLAN
N.T.S.

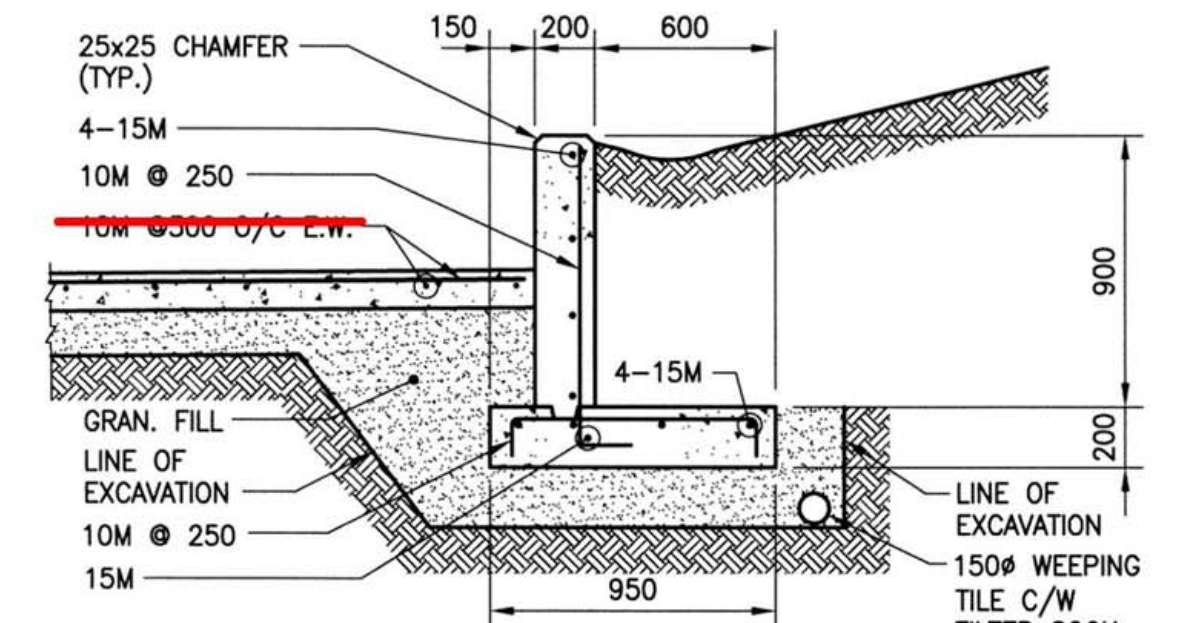
NOTES:

- CONCRETE**
- CONCRETE MATERIALS AND WORKMANSHIP SHALL BE IN ACCORDANCE WITH CAN/CSA-A23.1, A23.3 (LATEST). SEE BELOW FOR MIX REQUIREMENTS.
 - CONCRETE MIXES SHALL BE PROPORTIONED IN ACCORDANCE WITH CAN3 A23.3 (LATEST) TO MEET THE FOLLOWING REQUIREMENTS:

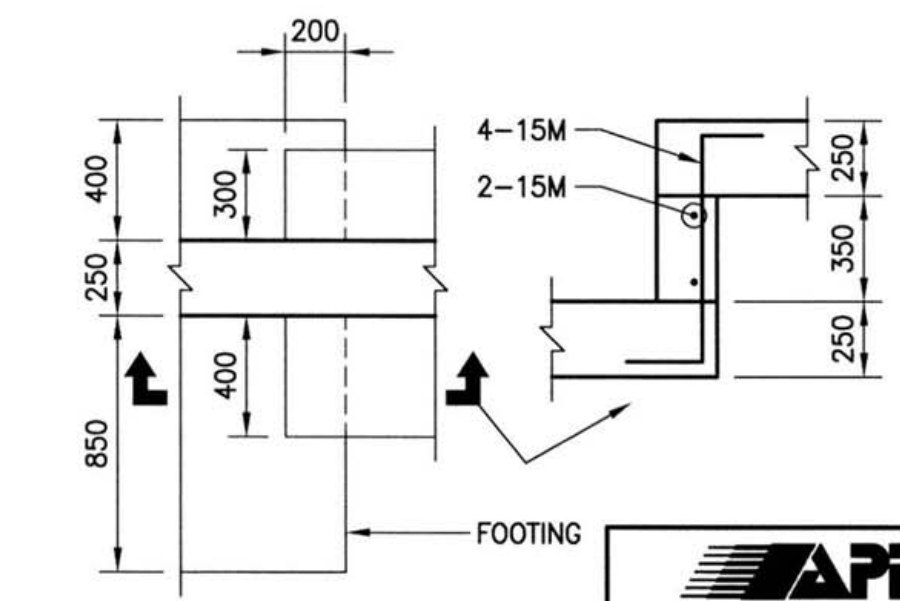
SLABS, BEAM	28 DAY STRENGTH	32 MPa
	CEMENT TYPE	HS
	SLUMP (± 12mm)	90mm
	AGGREGATE SIZE	20mm
	ENTRAINED AIR CONTENT	4%-7%
	WATER/CEMENT RATIO	0.45
 - MIX WATER TO BE POTABLE/CALCIUM CHLORIDE MAY NOT BE USED.
 - CONCRETE MATERIALS, FORMING, PLACING, FORM REMOVAL, ETC. TO CAN/CSA - S269.3(LATEST) AND ACCEPTABLE STANDARD CONSTRUCTION PRACTICE.
 - PROVIDE ADEQUATE COLD/HOT WEATHER PROTECTION AS REQUIRED DURING CURING PERIOD.

REINFORCING STEEL

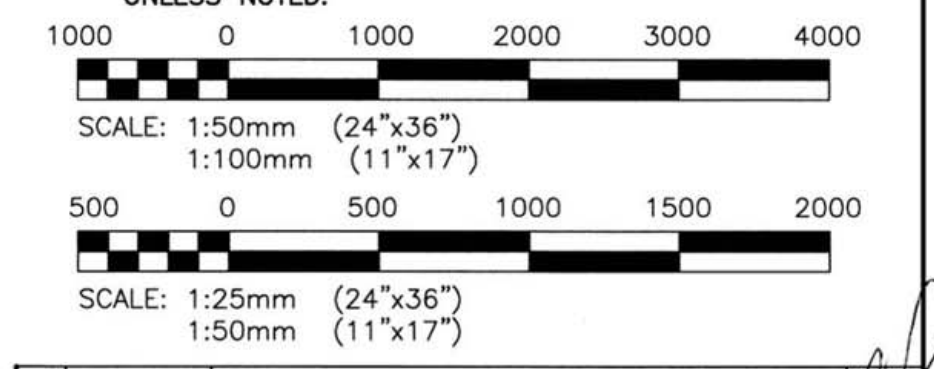
- REINFORCING STEEL TO BE NEW DEFORMED BILLET STEEL BARS CONFORMING TO CSA G30.18 (LATEST). GRADES TO BE; 400 MPa FOR 15M BARS AND LARGER; 300 MPa FOR 10M BARS.
- REINFORCING STEEL SHALL BE CLEAN, FREE OF RUST, DIRT, LOOSE SCALE, OIL, GREASE OR ANY OTHER MATERIAL WHICH WOULD REDUCE BOND WITH THE CONCRETE.
- TIE, SUPPORT AND SPACE ALL REINFORCING STEEL WITH PROPER APPROVED DEVICES DESIGNED FOR USE IN REINFORCED CONCRETE, TO PREVENT DISPLACEMENT OF REINFORCING AND ENSURE SPECIFIED CONCRETE COVER.
- CONCRETE COVER AS SPECIFIED ON DRAWING.
- GROUT REINFORCING DOWELS WITH EPOXY GROUT, SIKAGROUT 212 HP OR EQUAL, PLACE AND CURE ALL GROUT WITHIN TEMPERATURE RANGE RECOMMENDED BY MANUFACTURER.
- SUBMIT SHOP DRAWINGS WHICH CLEARLY INDICATE BAR SIZES, SPACING, LOCATIONS & QUANTITIES OF REINFORCING STEEL, BENDING & CUTTING SCHEDULES, SUPPORTING & SPACING DEVICES, ETC. FOR REVIEW PRIOR TO FABRICATION. DETAIL, FABRICATE AND PLACE REINFORCING IN ACCORDANCE WITH CSA A23.1 (LATEST), CSA A23.3 (LATEST) AND ACI SP-66 (LATEST) UNLESS NOTED. LAP STEEL 36 BAR DIAMETERS (MINIMUM) UNLESS NOTED.



D SECTION - RETAINING WALL
SCALE: 1:25 (24x36)
1:50 (11x17)



PLAN DETAIL A-A
SCALE: 1:25 (24x36)
1:50 (11x17)



0	14/04/14	ISSUED FOR TENDER	
NO.	YY/MM/DD	DESCRIPTION	BY
REVISIONS / ISSUE			

CLIENT: **SCATLUFF+MILLER+MURRAY INC.**
13-0109-001 S01

PROJECT: **CITY OF WINNIPEG
PEGUIS PAVILION - DUCK POND
WEST KILDONAN PARK**

DWG. DESCRIPTION: **STRUCTURAL
REHABILITATION & NEW CONSTRUCTION
BRIDGE & CURB DETAILS**

DESIGN BY: RuL	DATE: 13/11/13
DESIGN CHECK: JF	DATE: 14/04/14
DRAWN BY: JF	DATE: 13/11/13
DWG CHECK: JF	DATE: 14/04/14
ENG. STAMP: R.J. LONG	
DWG. NO.: 13-0109-001 S01	REV: 0

APEGM
Certificate of Authorization
KGS Group
No. 245

