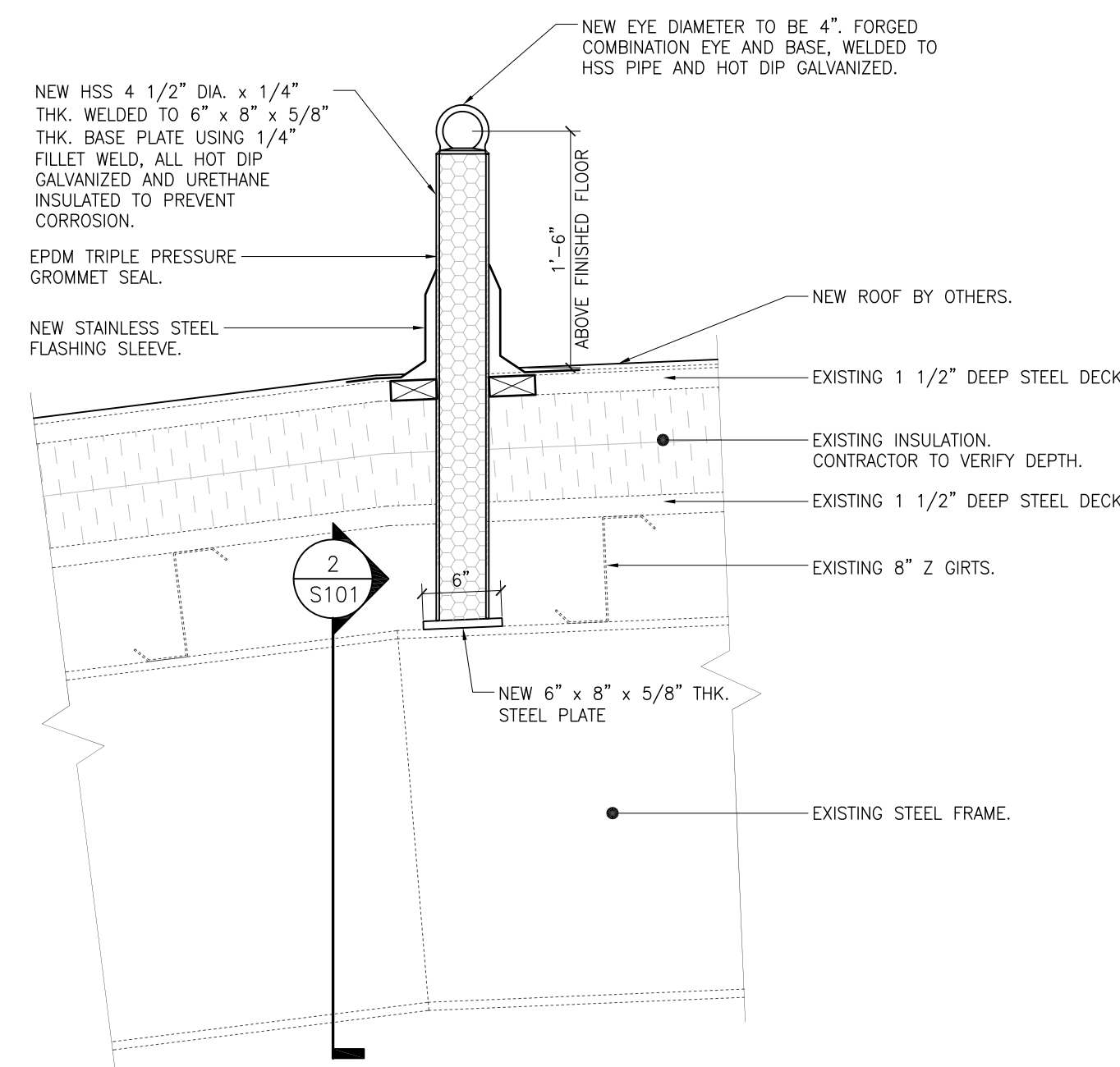
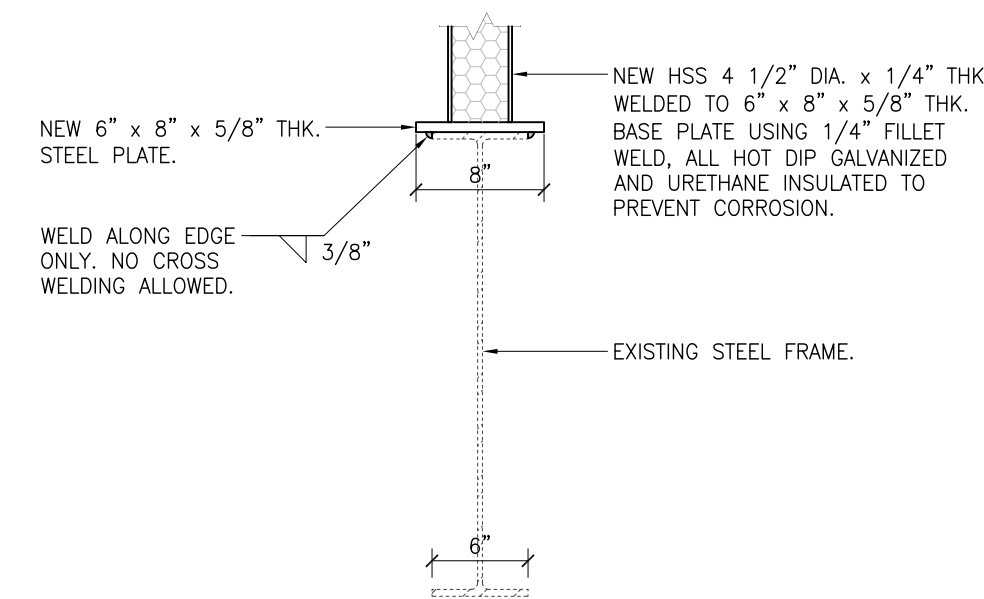


A
S101 ROOF ANCHOR LAYOUT
1/8" = 1' - 0"

* COORDINATE ROOF ANCHOR LOCATIONS WITH EXISTING STEEL FRAMES ON SITE.



1
S101 SEC. THRU FALL ARREST ROOF ANCHOR
1" = 1' - 0"



2
S101 SECTION
1" = 1' - 0"

CONSTRUCTION KEYNOTES:

- ① EXISTING ROOF ACCESS LADDER TO ROOF.
- ② NEW ROOF ANCHORS. REFER TO SECTION 1/S101.

DRAWING NOTES:

GENERAL

1. DO NOT SCALE DRAWINGS.
2. VERIFY ALL DIMENSIONS SHOWN PRIOR TO COMMENCING CONSTRUCTION.
3. VERIFY LOCATION OF ALL EQUIPMENT ON THE ROOF STRUCTURE AND ADVISE THE CONTRACT ADMINISTRATOR IN WRITING IF THERE ARE ANY DISCREPANCIES.
4. LOCATE SERVICES AND PROTECT THEM AT ALL TIMES DURING CONSTRUCTION.
5. STRUCTURAL DRAWINGS SHOWING THE COMPLETED STRUCTURE DO NOT INDICATE COMPONENTS WHICH MAY BE NECESSARY FOR SAFETY DURING CONSTRUCTION.

SELECTIVE DEMOLITION

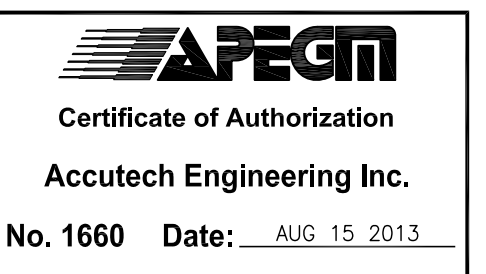
1. REMOVE ITEMS AND MATERIALS WHERE SHOWN ON DRAWINGS. REMOVE ONLY MATERIALS REQUIRED TO ACCOMMODATE NEW CONSTRUCTION.
2. PROTECT WORK TO REMAIN.
3. PROVIDE PROTECTION TO PERSONNEL WORKING IN ADJACENT AREAS, AND TO THE PUBLIC.
4. PROVIDE INSULATED, DUSTPROOF TEMPORARY HOARDING AS REQUIRED.
5. CAP OFF AND MAKE SAFE MECHANICAL AND ELECTRICAL SERVICES AS REQUIRED.
6. STORE AND PROTECT MATERIALS AND ITEMS TO BE INSTALLED IN RENOVATED AREAS.
7. REMOVE FROM SITE ALL MATERIALS NOT REQUIRED.
8. THE STEEL ROOF FRAMING IS ACCESSIBLE BY REMOVING SUSPENDED CEILING TILE. REMOVE AND REINSTALL THE SUSPENDED CEILING TILE AND GRID AS REQUIRED TO EXECUTE THE WORK.

STRUCTURAL STEEL

1. STRUCTURAL STEEL TO CONFORM TO CSA G40.21 "STRUCTURAL QUALITY STEEL" AND CSA G40.20 "GENERAL REQUIREMENTS FOR ROLLED OR WELDED STRUCTURAL QUALITY STEEL".
2. ROLLED OR WELDED STEEL STRUCTURAL SECTIONS AND PLATES TO BE G40.21-M (350 MPa) GRADE STEEL.
3. HOLLOW STRUCTURAL SECTIONS TO BE G40.21-M (350 MPa) CLASS C UNLESS NOTED OTHERWISE.
4. FABRICATION AND ERECTION OF STRUCTURAL STEEL TO CONFORM TO LATEST EDITION OF CAN3-S16.1, "LIMIT STATES DESIGN OF STEEL STRUCTURES".
5. ALL WELDING TO CONFORM TO CAN3-W59-1989 "WELDED STEEL CONSTRUCTION".
6. FABRICATORS SHALL BE CERTIFIED IN ACCORDANCE WITH CAN3-W47.1-M83 "CERTIFICATION OF COMPANIES FOR FUSION WELDING OF STEEL STRUCTURES".
7. STRUCTURAL STEEL TO RECEIVE ONE COAT OF OISC/CPMA 2-75 SHOP PRIMER.
8. OBTAIN ENGINEER'S APPROVAL PRIOR TO MAKING ANY MEMBER SUBSTITUTIONS OR CONNECTION DETAIL CHANGES.

FALL ARREST ANCHOR NOTES

1. PROVIDE SHOP DRAWING FOR REVIEW PRIOR TO FABRICATION. SHOP DRAWING TO BE SEALED BY A PROFESSIONAL ENGINEER REGISTERED IN THE PROVINCE OF MANITOBA. SHOP DRAWINGS TO INCLUDE:
 - a. ANCHOR LAYOUT PLAN, SECTIONS AND DETAILS;
 - b. CONNECTION DETAILS;
 - c. ANCHOR SPECIFICATIONS;
 - d. INSTALLATION INSTRUCTIONS;
 - e. ROOF PENETRATION DETAILS;
 - f. DESIGN LOADS.
2. FALL ARREST ANCHOR SYSTEMS TO BE DESIGNED IN ACCORDANCE WITH THE CURRENT EDITION OF THE MANITOBA WORKPLACE SAFETY AND HEALTH REGULATION AND THE CANADIAN OCCUPATIONAL SAFETY AND HEALTH REGULATIONS (COSHA). REFER TO THE UNITED STATES DEPARTMENT OF LABOR OCCUPATIONAL SAFETY AND HEALTH ADMINISTRATION (OSHA) FOR FURTHER INFORMATION AS REQUIRED.
3. ANCHOR POSTS: URETHANE INSULATED HOLLOW STEEL POST WITH GALVANIZED FINISH.
4. FASTENERS: STAINLESS STEEL.
5. PROVIDE ALL REQUIRED ROOF FLASHINGS AND FASTENERS.
6. PROVIDE CERTIFICATION OF INSTALLED ANCHORS.



7				
6				
5				
4				
3				
2				
1	ISSUED FOR TENDER	VCV	KRD	AUG 15 2013
0	ISSUED FOR CLIENT REVIEW	VCV	KRD	AUG 15 2013
REV	DESCRIPTION	DWN	APP	REV DATE

Accutech Engineering Inc.
Tomorrow's Technology Today

605-287 Broadway, Winnipeg, Manitoba Canada R3C 0R9
Phone 204.944.1555 Fax 204.944.1444
www.accutecheng.ca

ENG SEAL:

ARCH SEAL:

CITY OF WINNIPEG
ROOF ANCHOR UPGRADES

SHEET TITLE: ARCHWOOD COMMUNITY CENTRE
565 RUE GUILBAULT
ROOF ANCHOR LAYOUT AND DETAILS

DRAWN BY: VCV	CHECKED BY: KRD	DATE: AUG 15 2013	SHEET NO: S101
DESIGNED BY: KRD	JOB NUMBER: A18554	SCALE: AS NOTED	REVISION NO: 1