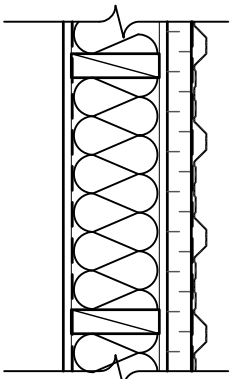


WALL SCHEDULES

EXTERIOR WALL TYPES

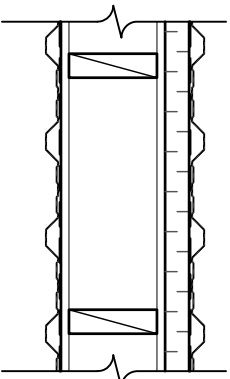
A



EXTERIOR

- TYPICAL EXTERIOR CONSTRUCTION:**
- PRE-FINISHED METAL CLADDING (VICWEST DIAMOND RIB)
 - TYVEK AIR BARRIER
 - 1 1/2" RIGID INSULATION W/ HORIZ P.T. STRAPPING / 2 GIRTS @ 24" O.C.
 - 1/2" EXT. PLYMD SHEATHING
 - 2" x 6" WD STUDS @ 16" O.C. (SET BASE PLATE ON SILL SEAL GASKET - ETHAFOAM PLATE OR EQUAL)
 - R-20 F.G. BATT INSUL.
 - 6 MIL POLY VB
 - 1/2" GMB
 - SEMI-RIGID PVC WALL PANEL W/ WATER TIGHT TRIM JOINTS (ALTRO WHITE ROCK OR EQUAL) (SEE I/A-14 FOR PANEL TO COVE BASE DETAIL)

B

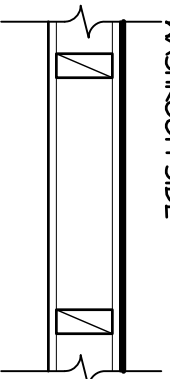


EXTERIOR

- TYPICAL SOLID SCREEN WALL CONSTRUCTION:**
- PRE-FINISHED METAL CLADDING (VICWEST DIAMOND RIB)
 - TYVEK AIR BARRIER
 - 1 1/2" RIGID INSULATION W/ HORIZ P.T. STRAPPING / 2 GIRTS @ 24" O.C.
 - 1/2" EXT. PLYMD SHEATHING
 - 2" x 6" WD STUDS @ 16" O.C.
 - 1/2" EXT. PLYMD SHEATHING
 - TYVEK AIR BARRIER
 - PRE-FINISHED METAL CLADDING (VICWEST DIAMOND RIB)

INTERIOR WALL TYPES

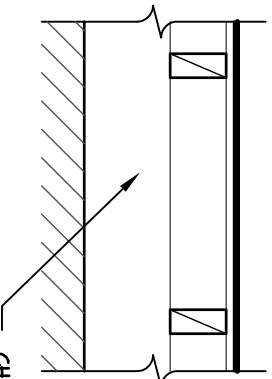
1



WASHROOM SIDE

- INTERIOR MECH ROOM WALL CONSTRUCTION:**
- SEMI-RIGID PVC WALL PANEL W/ WATER TIGHT TRIM JOINTS (ALTRO WHITE ROCK OR EQUAL) - WASHROOM SIDE
 - 1/2" GMB,
 - 2" x 4" WD STUDS @ 16" O.C.
 - 1/2" MR GMB - MECH ROOM SIDE

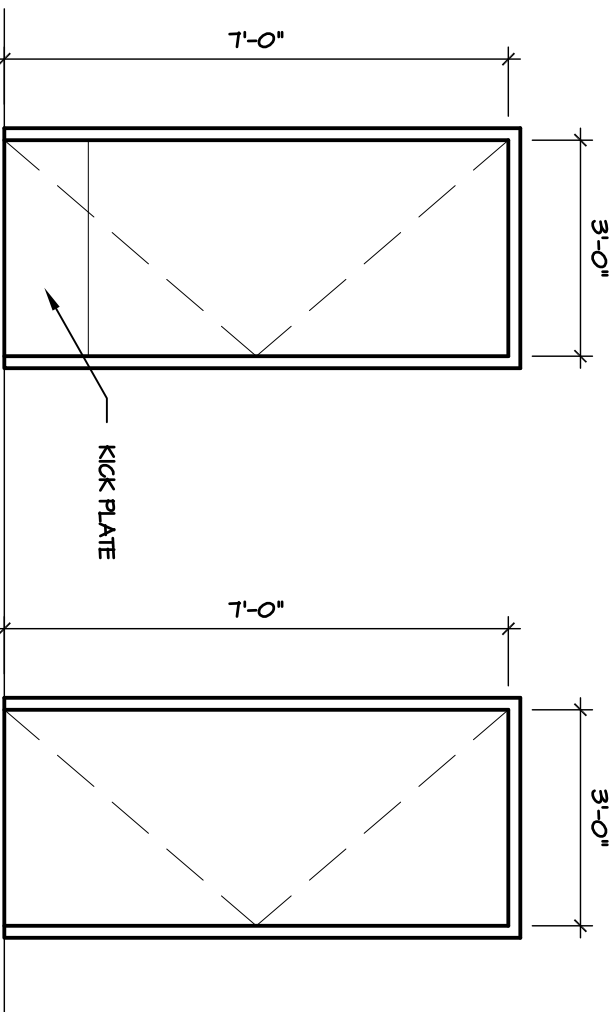
1



WASHROOM SIDE

- PLUMBING CHASE WALL CONSTRUCTION:**
- SEMI-RIGID PVC WALL PANEL W/ WATER TIGHT TRIM JOINTS (ALTRO WHITE ROCK OR EQUAL) - WASHROOM SIDE
 - 1/2" GMB,
 - 2" x 4" WD STUDS @ 16" O.C.
 - PLUMBING CHASE SPACE
 - PROVIDE VENTING OF CHASE SPACE - SEE MECH)

DOOR SCHEDULE



1 1/2" x 36" x 84" INSULATED HM DOOR W/ POLYURETHANE CORE, WELDED HM FRAME, FOAM FILLED.
PROVIDE ROUGH IN FOR OWNER SUPPLIED ELEC STRIKE & CARD READER

1 1/2" x 36" x 84" HM DOOR, WELDED HM FRAME
PROVIDE ROUGH IN FOR OWNER SUPPLIED ELEC STRIKE & CARD READER

HARDWARE SET

SET #1.0 - Door: D-1

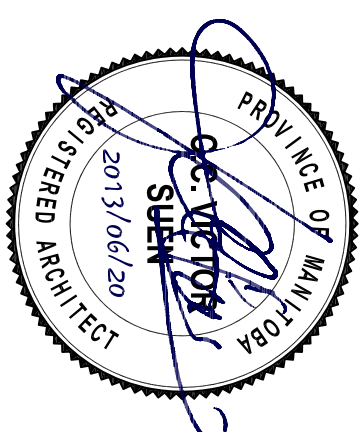
3	Hinge	TA2314 NRP 114mm x 102mm	US26D	MK
1	Storeroom Lock	L9080L 42B	630	SCH
1	Mortise Lock	L496L	630	SCH
1	Electric Strike	(Mortise Deadbolt with "OCCUPIED" Indicator)	US32D	VD
1	Door Closer	1431 P9	EN	SA
2	Kickplate	K1050 12"	US32D	RO
1	Door Stop	471 EXP	US26D	RO
1	Threshold	171A	PE	PE
1	Gasketing	315CN	PE	PE
1	Gasketing	2891AS	PE	PE
2	Gasketing	316AS	PE	PE
1	Door Contact	(Supplied and installed by owner)		
1	Siren Strobe	(Supplied and installed by owner)		
1	Panic Button	(Supplied and installed by owner)		
1	Card Reader	(Supplied and installed by owner)		

NOTE: Door and frame to be prepared for owner supplied and installed items. Final BEST core by owner.

SET #2.0 - Door: D-2

3	Hinge	TA2714 NRP 114mm x 102mm	US26D	MK
1	Storeroom Lock	L9080L 42B	630	SCH
1	Electric Strike	(Supplied and installed by owner)	US32D	VD
1	Door Closer (surface)	1130 RU	EN	SA
1	Door Stop	441H	US26D	RO
1	Door Contact	(Supplied and installed by owner)		
1	Card Reader	(Supplied and installed by owner)		

NOTE: Door and frame to be prepared for owner supplied and installed items. Final BEST core by owner.



Victor Suen Architect

COMFORT STATION FOR WINNIPEG TRANSIT

SCHEDULES

23 Stormont Drive, Winnipeg, MB R3V 1L9
email: victorsuenarchitect@mts.net
Ph (204) 228-0230 Fax (204) 261-6341

SCALE: 1" = 1'-0"
DATE: 2013/06/20

REV. 0 13/06/20 ISSUED FOR TENDER & CONSTRUCTION

A-4

Rev. 0