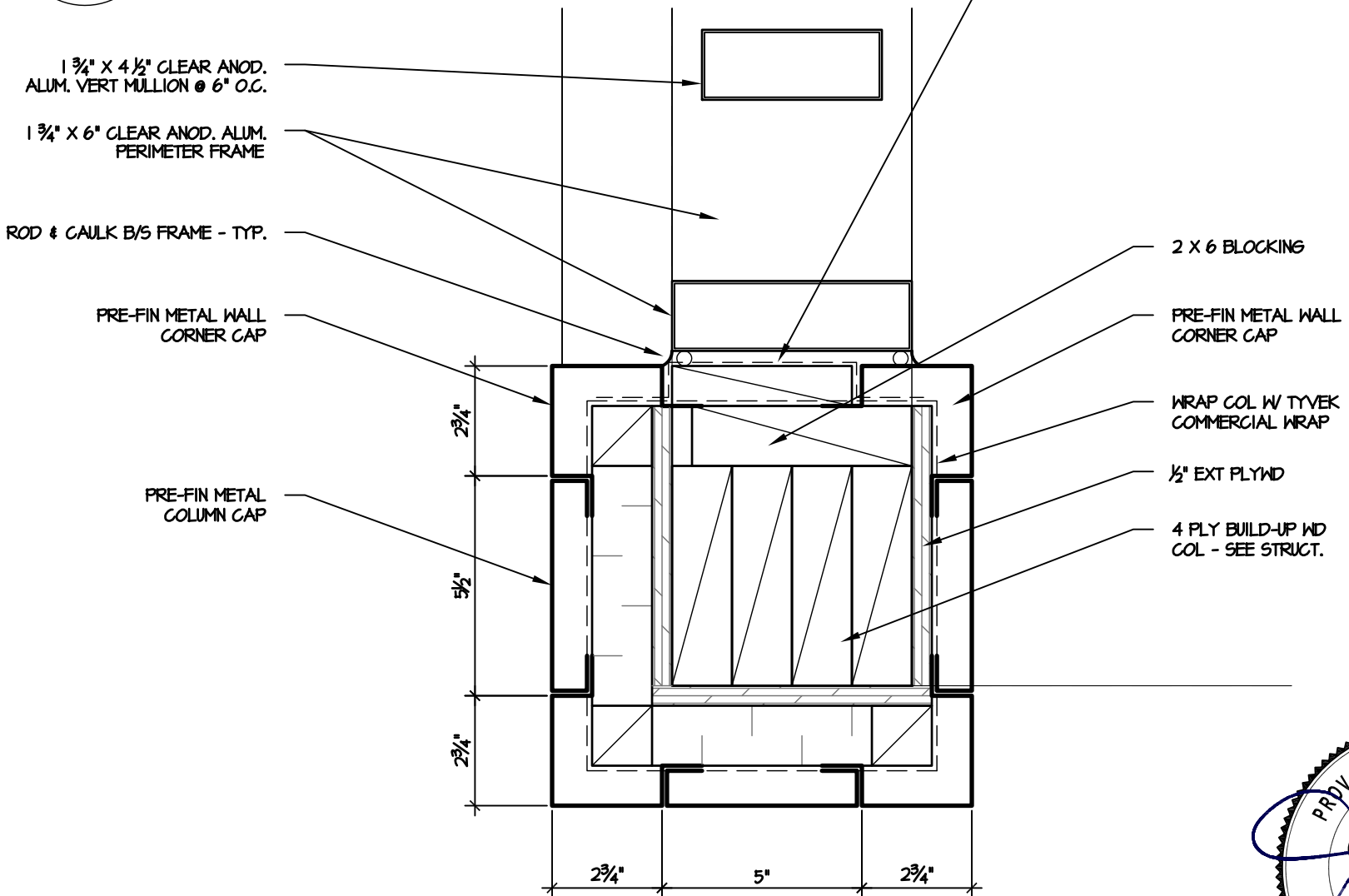


**1** PLAN DETAIL - ALUM SCREEN / WALL END  
**A-16** SCALE 3" = 1'-0"



**2** PLAN DETAIL - ALUM SCREEN / COLUMN  
**A-16** SCALE 3" = 1'-0"



Victor Suen Architect

23 Stormont Drive, Winnipeg, MB R3V 1L9  
 email: victorsuenarchitect@mts.net  
 Ph (204) 228-0230 Fax (204) 261-6341

COMFORT STATION FOR WINNIPEG TRANSIT

ALUM PRIVACY SCREEN HORIZ SECTION

SCALE: 3" = 1'-0"  
 DATE: 2013/06/20

REV. 0 13/06/20 ISSUED FOR TENDER & CONSTRUCTION

**A-16**

Rev. 0