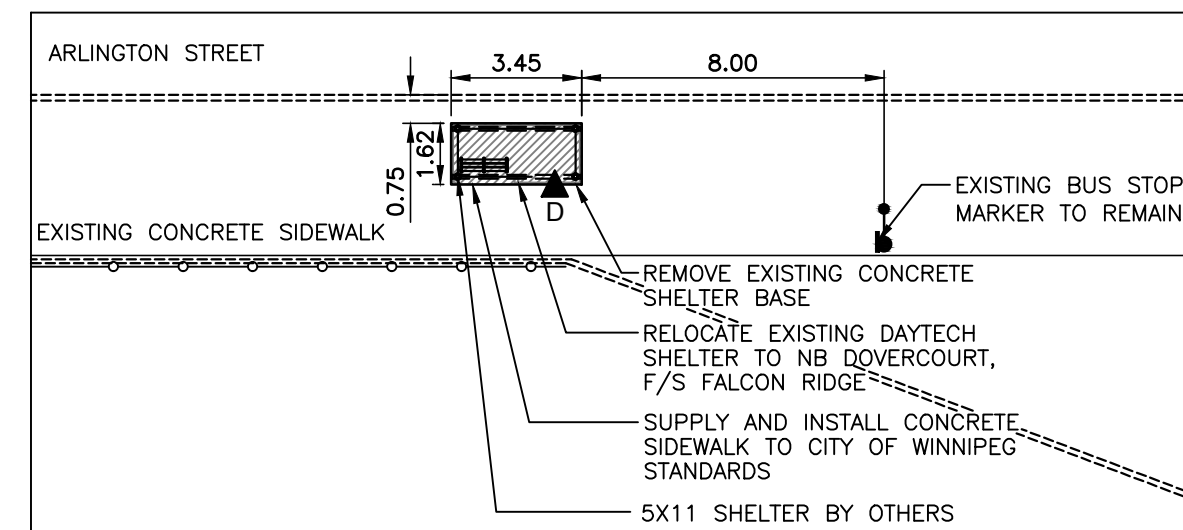
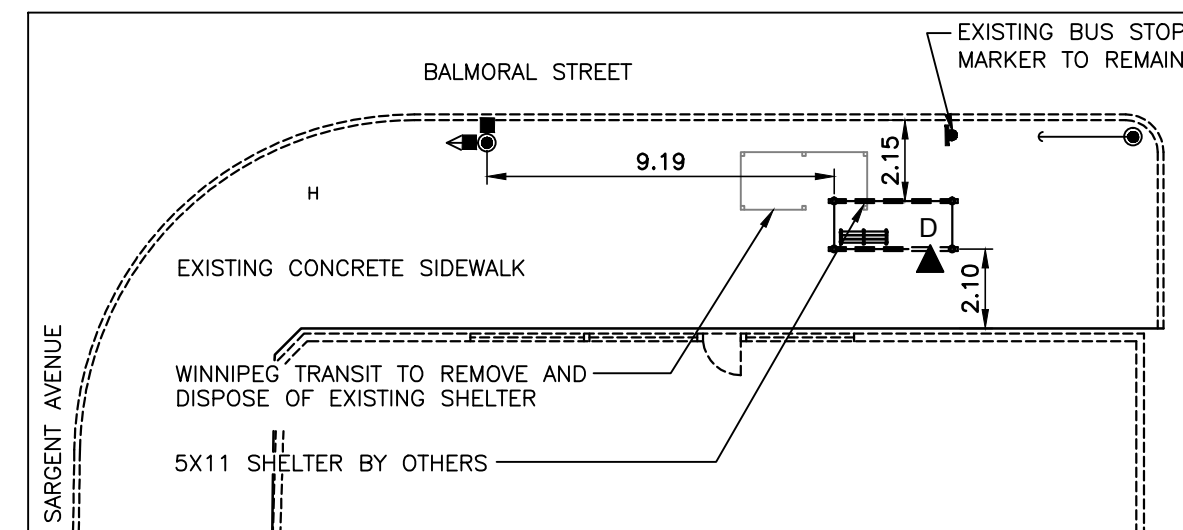


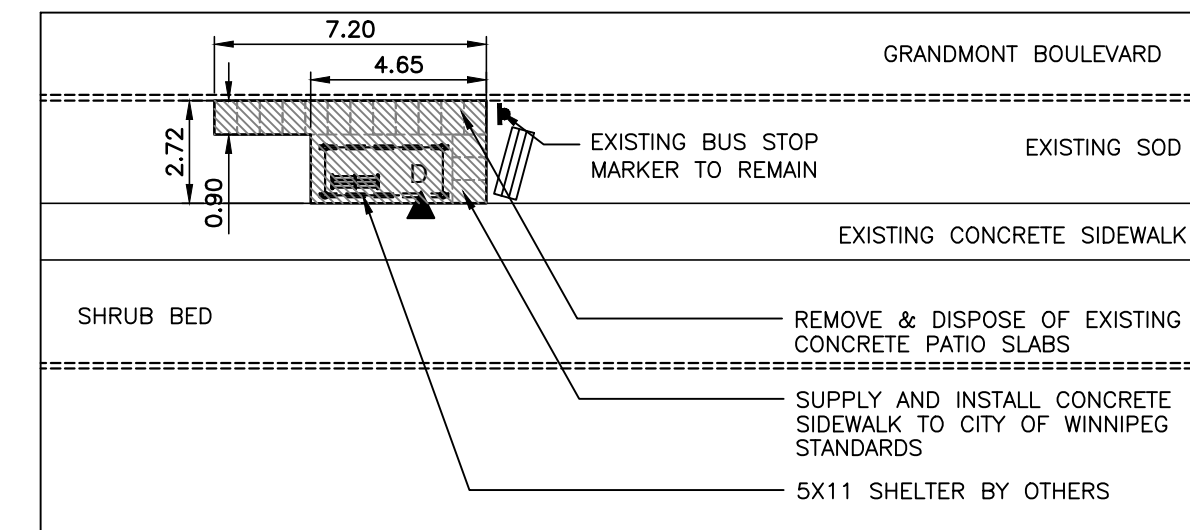
Northbound Archibald, F/S Elizabeth
Stop 50127 Elizabeth



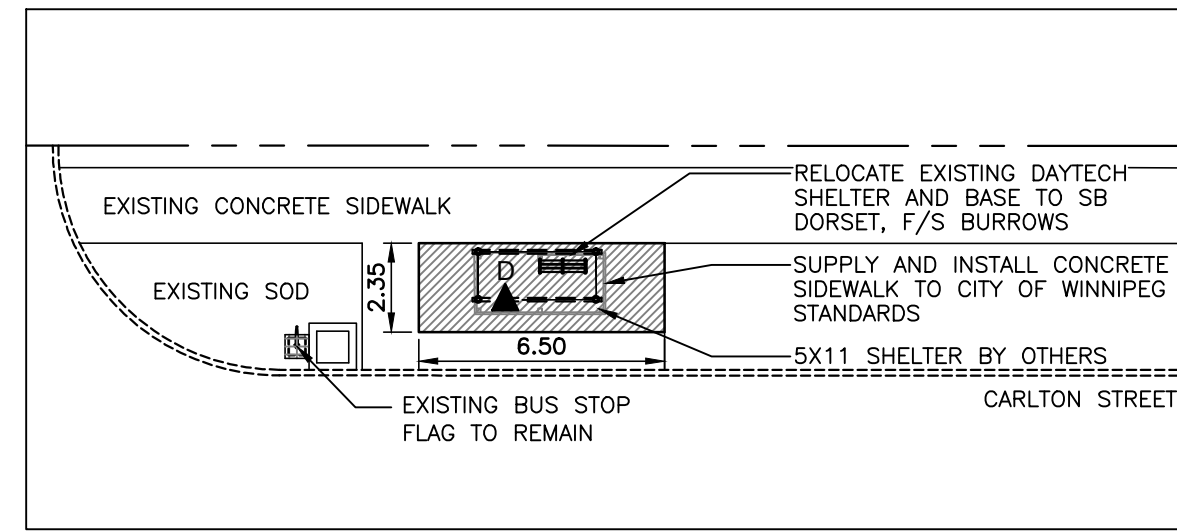
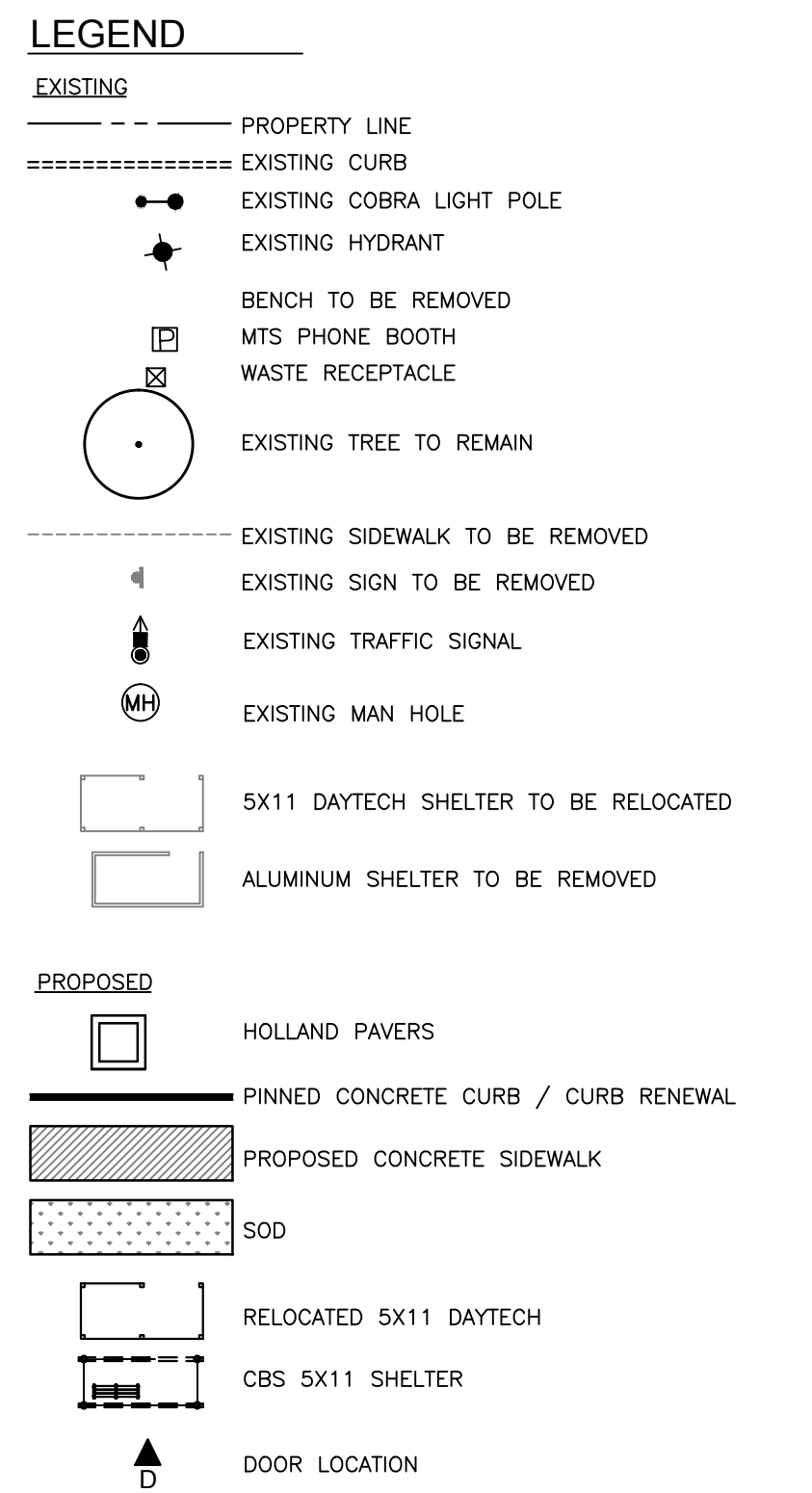
Northbound Arlington, N/S Sargent
Stop 10278 Sargent



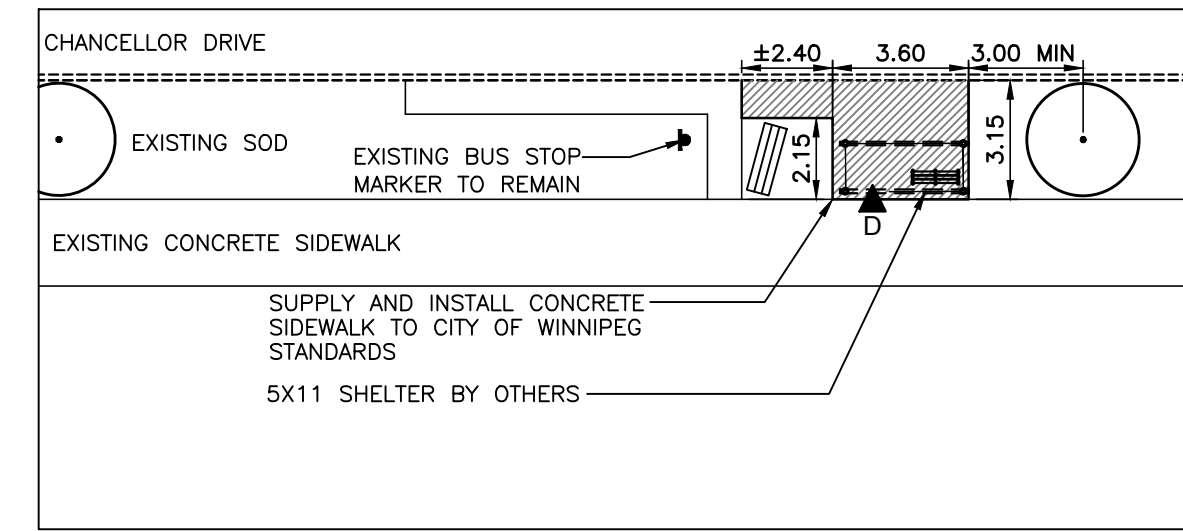
Northbound Balmoral, F/S Sargent
Stop 10735 Sargent



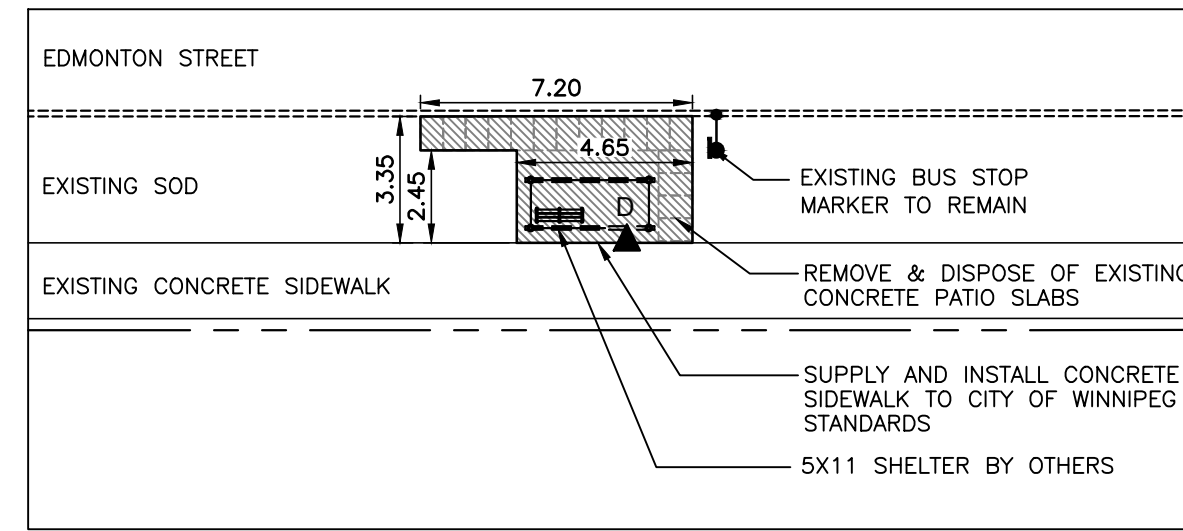
Eastbound Grandmont, N/S Pembina
Stop 60762 Pembina



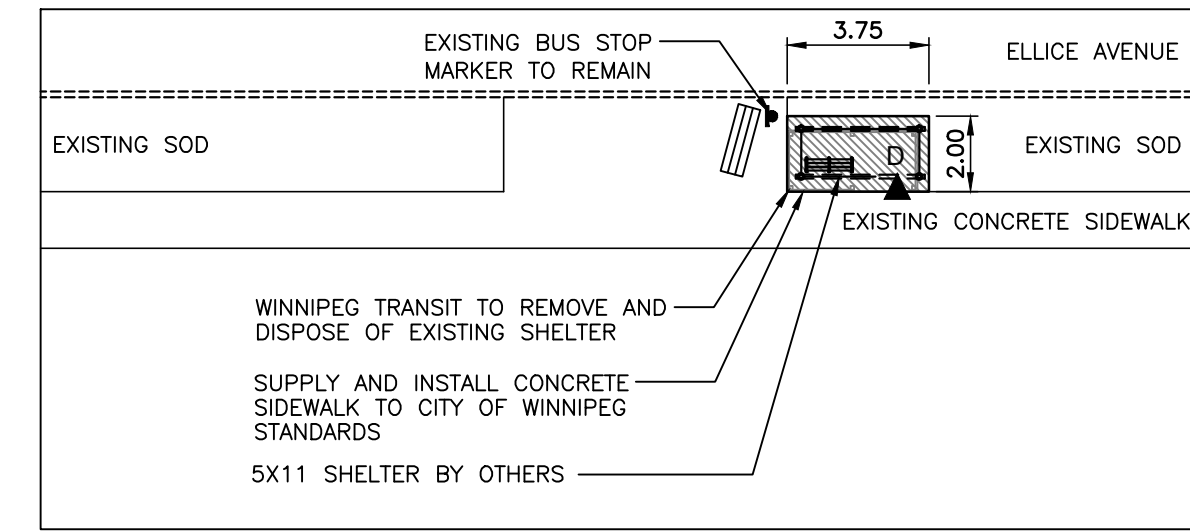
Southbound Carlton, N/S Assiniboine
Stop 10686 Assiniboine



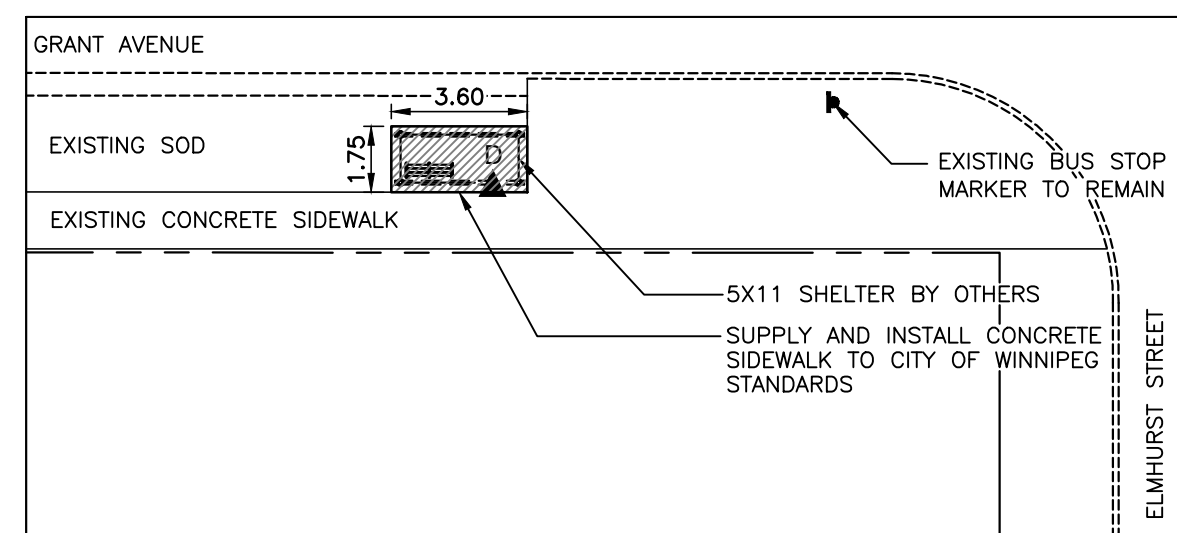
Northbound Chancellor, N/S Opp Gaylene
Stop 60133 Gaylene



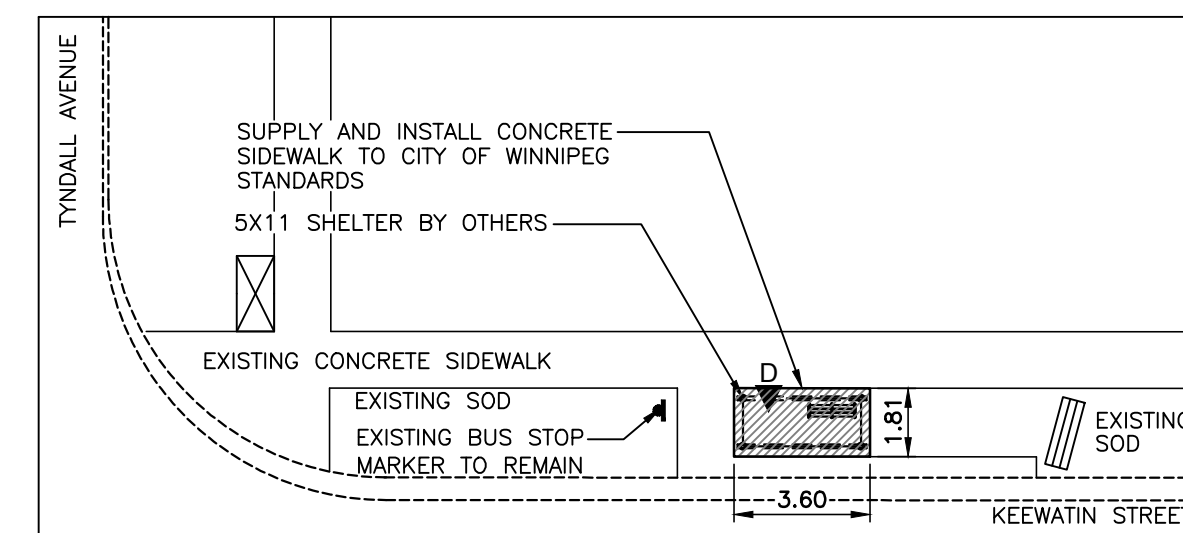
Northbound Edmonton, F/S Assiniboine
Stop 10687 Assiniboine



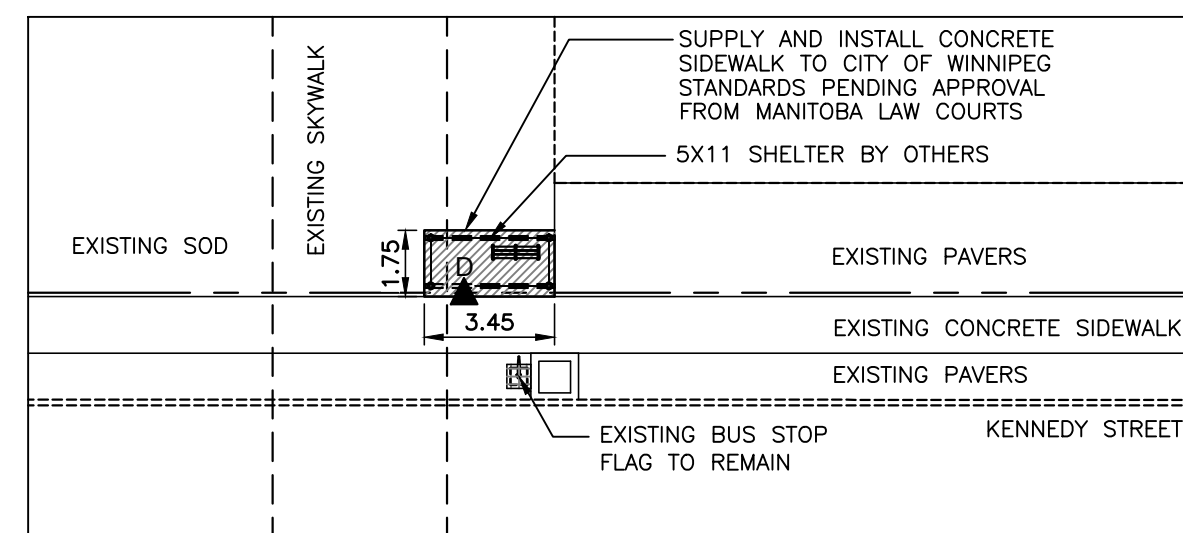
Eastbound Ellice, F/S Empress
Stop 10496 Empress



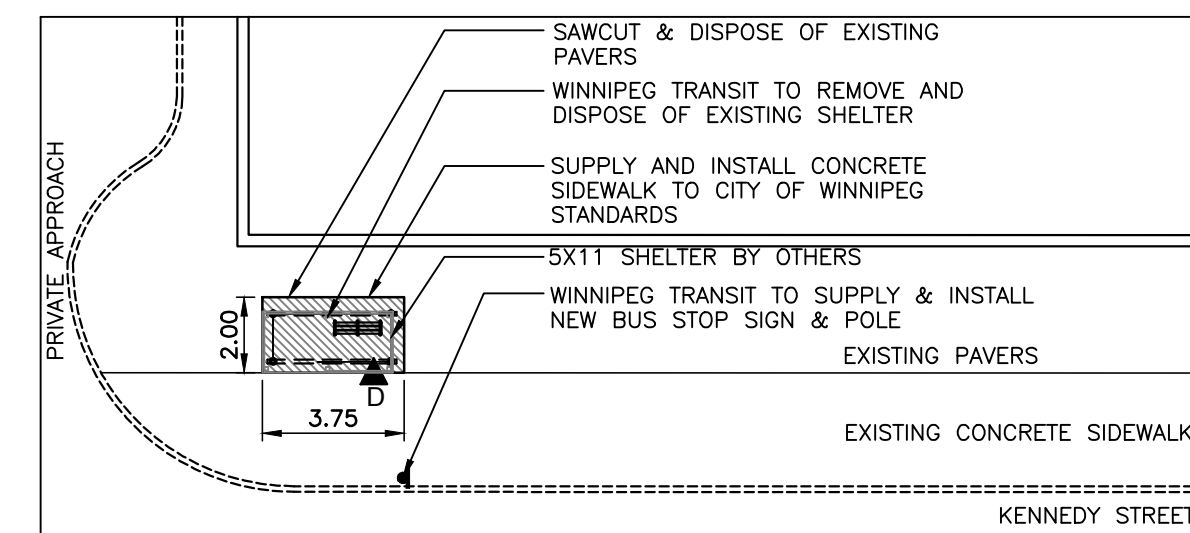
Eastbound Grant, N/S Elmhurst
Stop 60530 Elmhurst



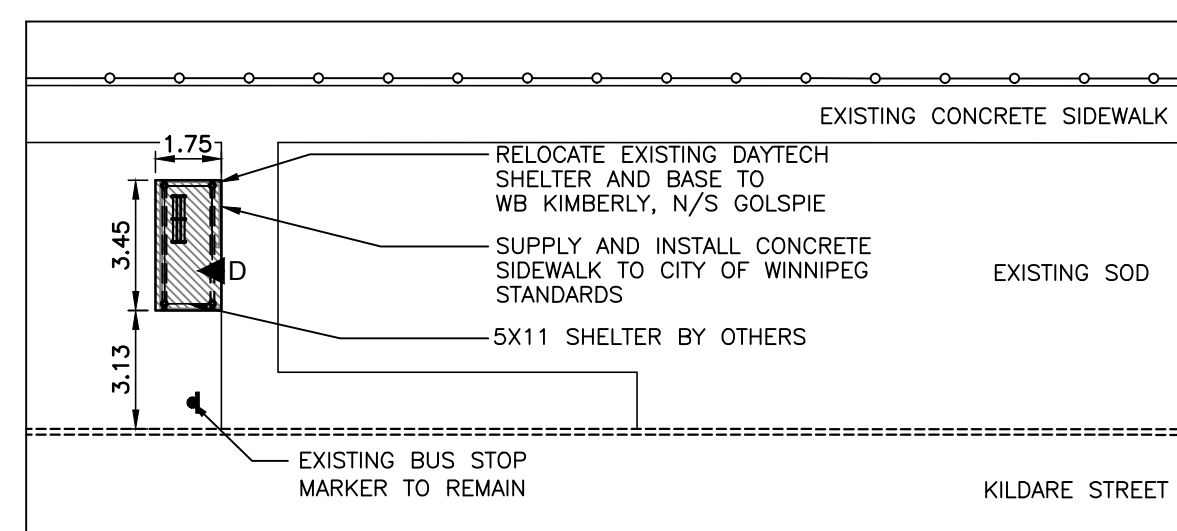
Southbound Keewatin, N/S Tyndall
Stop 30810 Tyndall



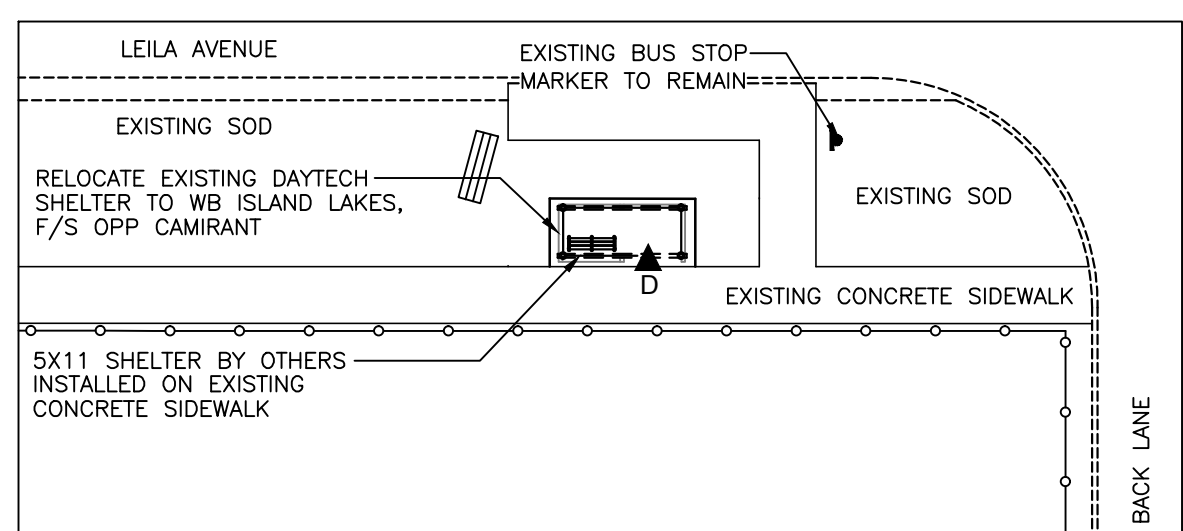
Southbound Kennedy, N/S Broadway
Stop 10864 Broadway North



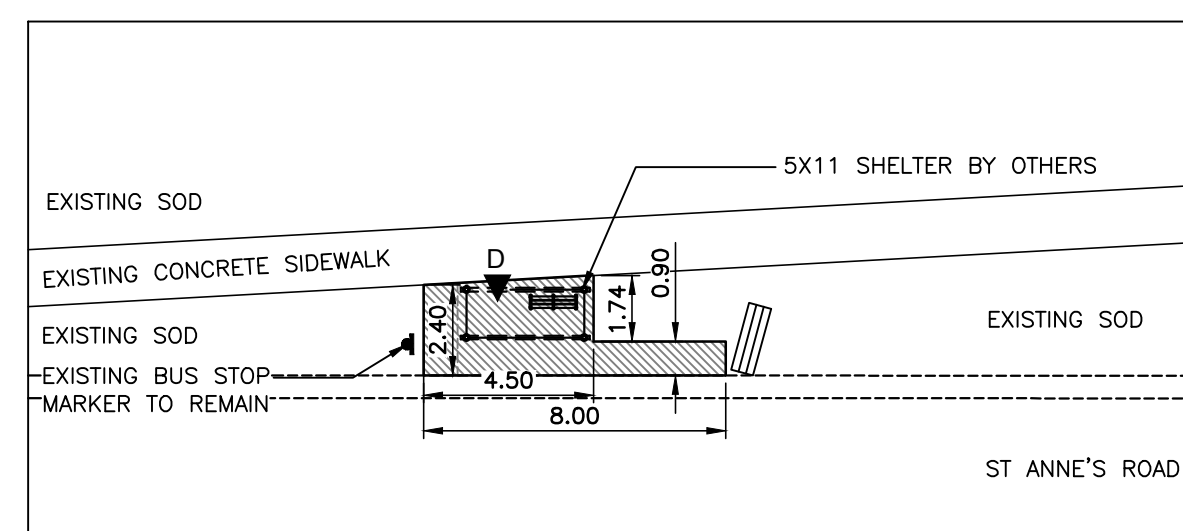
Southbound Kennedy, F/S Sargent
Stop 10695 Sargent



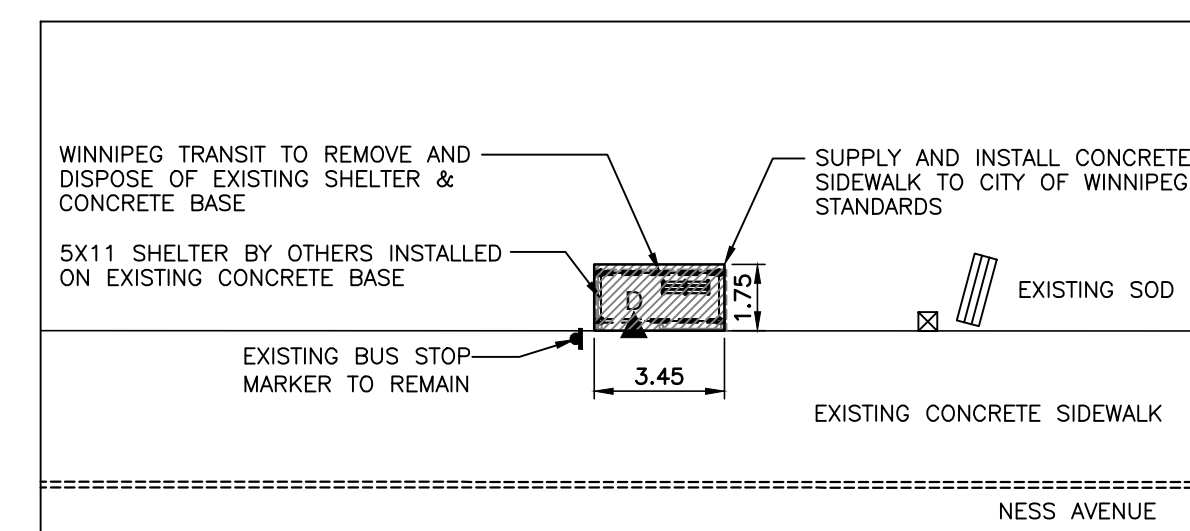
Westbound Kildare, F/S Wabasha
Stop 40046 Wabasha



Eastbound Leila, N/S Opp Jack Donner
Stop 30380 Jack Donner

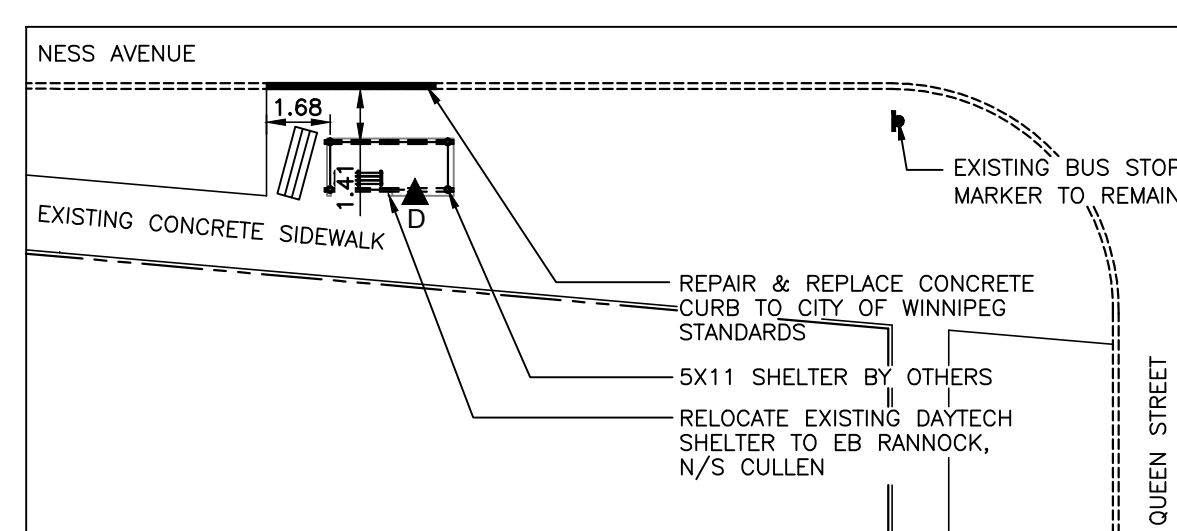


Southbound St Anne's, N/S Meadowood
Stop 50832 Meadowood

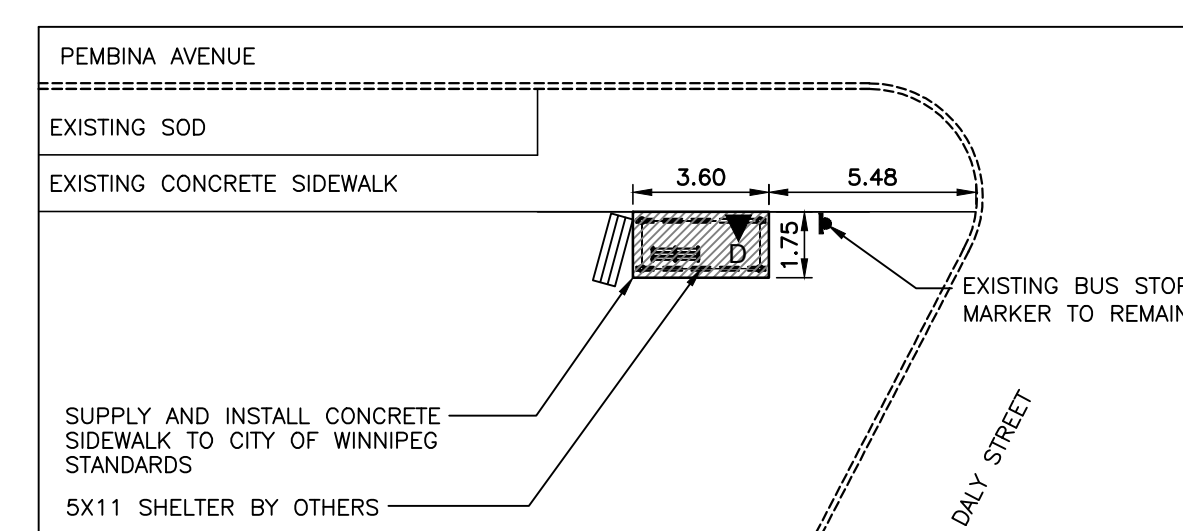


Westbound Ness, F/S Opp Harcourt
Stop 20158 Harcourt

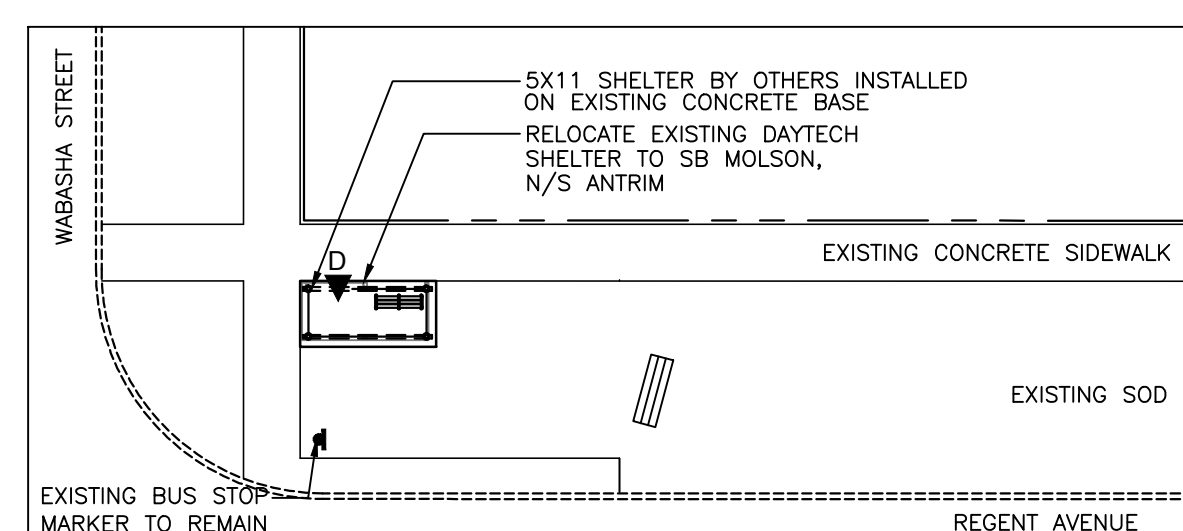
No.	Revisions	Date	By
13-05-02	1:200		
MD	MD	JW	



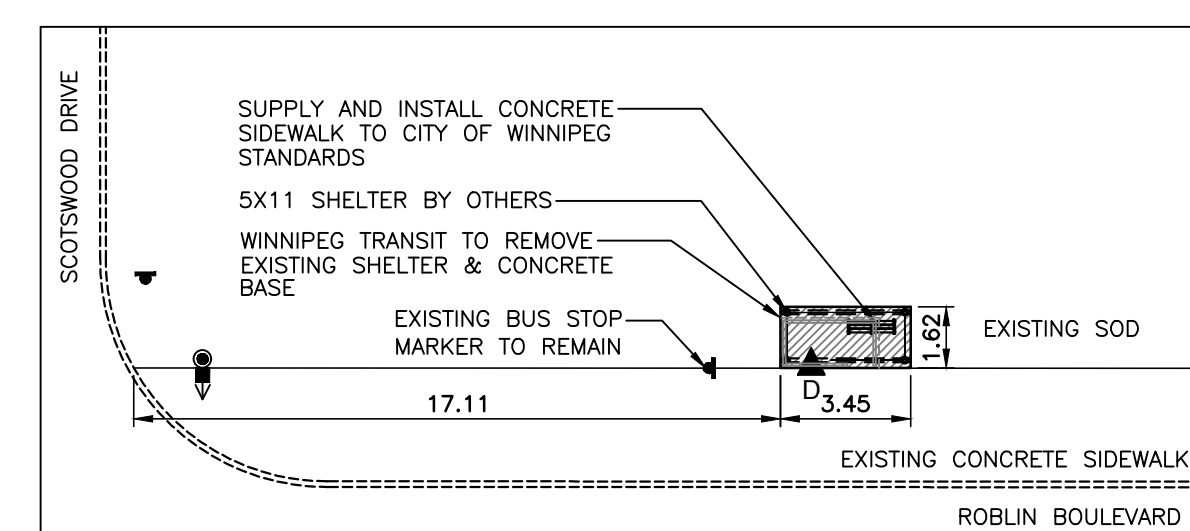
Eastbound Ness, N/S Queen
Stop 20197 Queen



Northbound Pembina, N/S Daly
Stop 10073 Daly



Westbound Regent, N/S Wabasha
Stop 40049 Wabasha



Westbound Roblin, N/S Opp Scotswood
Stop 60556 Scotswood

Client
WINNIPEG TRANSIT
Project Title
BUS STOP IMPROVEMENTS
Sheet Title
SITE WORKS LAYOUT PLANS
Project No. 06-029 Drawing No. L1.1