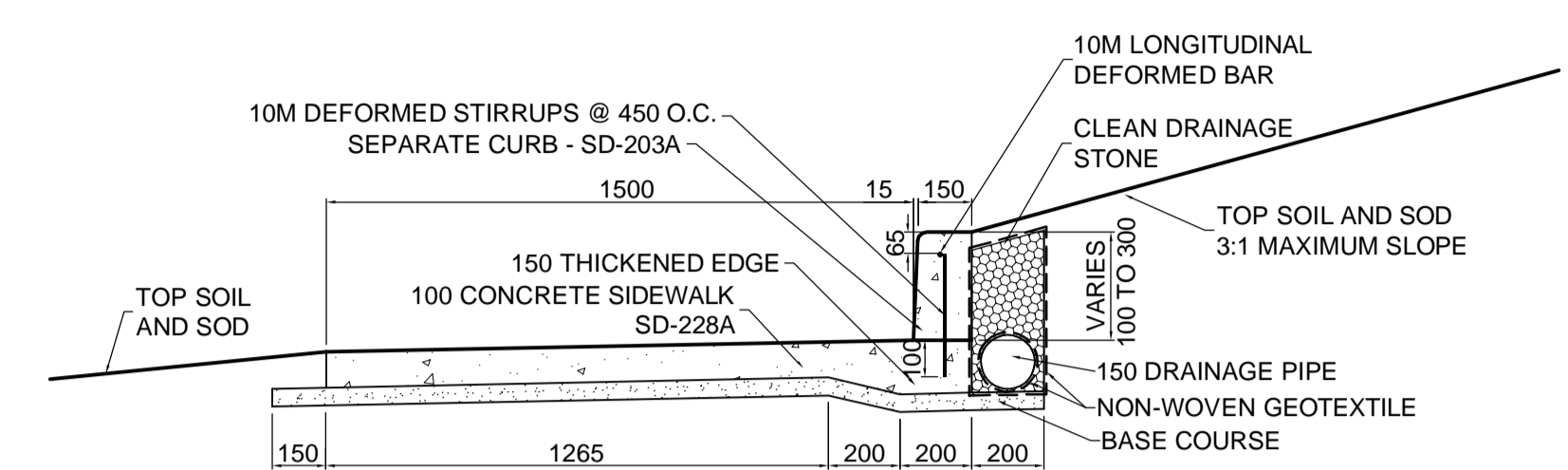
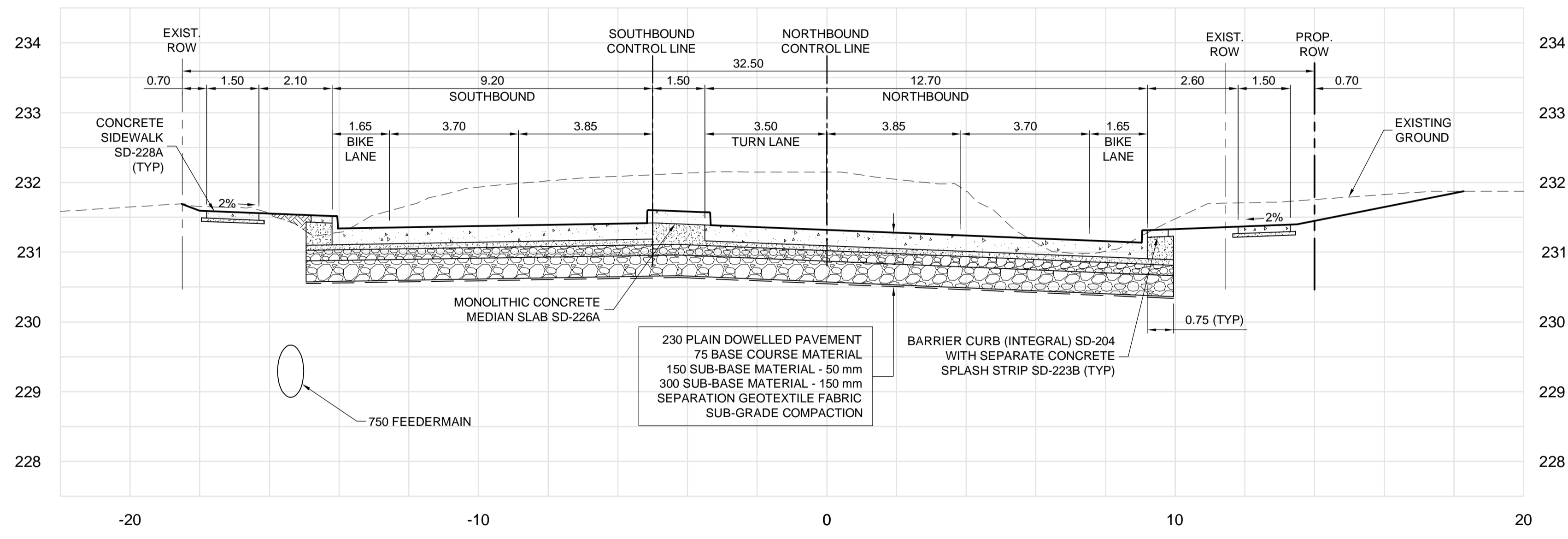


D MOLSON STREET - STA. 0+425
19/28 SCALE - H-1:100 V-1:50



CURB AND SIDEWALK WITH THICKENED EDGE
SCALE 1:20



E MOLSON STREET - STA. 0+535
20/28 SCALE - H-1:100 V-1:50

METRIC

WHOLE NUMBERS INDICATE MILLIMETRES
DECIMALIZED NUMBERS INDICATE METRES



PANET ROAD/MOLSON STREET RECONSTRUCTION AND TWINNING		CITY DRAWING NUMBER P-3350-28
SECTIONS (2 OF 5)		SHEET OF 28 OF 45
CONSULTANT PROJECT NUMBER 12-7055		CONSULTANT DRAWING NUMBER

G:\CAD\127055\02-Civil\01-Contract\20-Sections-Details.dwg

150 WM	WATERMAIN	150 WM	HYDRO	HYDRO	HYDRO	150 WM	WATERMAIN	150 WM
+	HYDRANT	+	MTS	MTS	+	+	HYDRANT	+
+	VALVE	+	MTS	MTS	+	+	VALVE	+
300 LDS	LAND DRAINAGE SEWER	300 LDS			300 LDS	300 LDS	LAND DRAINAGE SEWER	300 LDS
250 WWS	WASTE WATER SEWER	250 WWS			250 WWS	250 WWS	WASTE WATER SEWER	250 WWS
○	MANHOLE	●			○	○	MANHOLE	○
□	CATCH BASIN	■			□	□	CATCH BASIN	□
▽	CURB INLET	▽			▽	▽	CURB INLET	▽
+	JUNCTIONS	+			+	+	JUNCTIONS	+
---	CULVERT	---			---	---	CULVERT	---
100 GAS	GAS	100 GAS			100 GAS	100 GAS	GAS	100 GAS
EXISTING	LEGEND-PLAN	PROPOSED	EXISTING	LEGEND-PLAN	PROPOSED	EXISTING	LEGEND-PROFILE	PROPOSED

UNDERGROUND STRUCTURES		B.M. ELEV.
SUPPLY	U/G STRUCTURES	DATE
LOCATION OF UNDERGROUND STRUCTURES AS SHOWN ARE BASED ON THE BEST INFORMATION AVAILABLE, BUT NO GUARANTEE IS GIVEN THAT ALL EXISTING UTILITIES ARE SHOWN OR THAT THE GIVEN LOCATIONS ARE EXACT. CONFIRMATION OF EXISTENCE AND EXACT LOCATION OF ALL SERVICES MUST BE OBTAINED FROM THE INDIVIDUAL UTILITIES BEFORE PROCEEDING WITH CONSTRUCTION.		

DESIGNED BY	JMS/MRD
DRAWN BY	TJH
CHECKED BY	JNC
APPROVED BY	DPK
HOR. SCALE	RELEASED FOR CONSTRUCTION
VERTICAL	DATE
NO. REVISIONS	DATE BY

3	ISSUED FOR TENDER	12/16/13	JNC
2	ISSUED FOR REVIEW	07/22/13	JNC
1	ISSUED FOR REVIEW	06/21/13	JNC



ENGINEER'S SEAL	PROVINCE OF MANITOBA ORIGINAL STAMPED BY J.N. CRANG 12/16/2013 REGISTERED PROFESSIONAL ENGINEER
CONSULTANT PROJECT NUMBER	12-7055

DATE	12/16/2013
------	------------