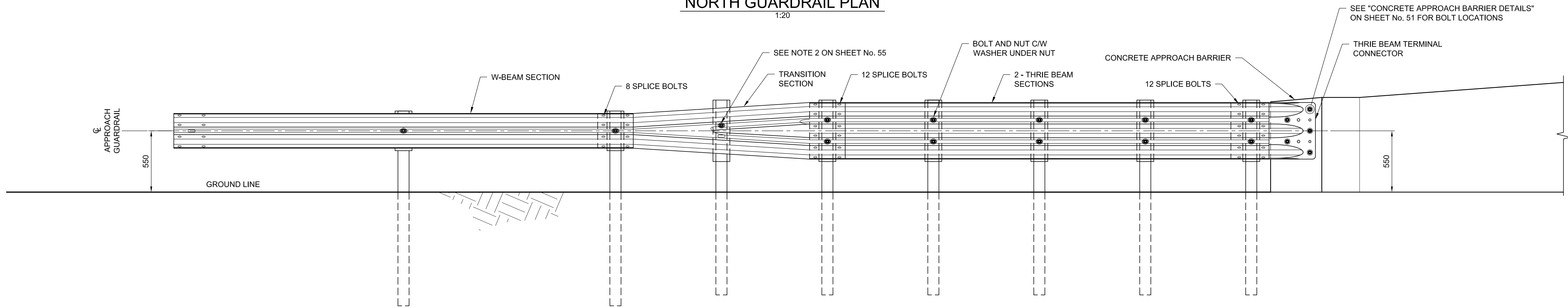
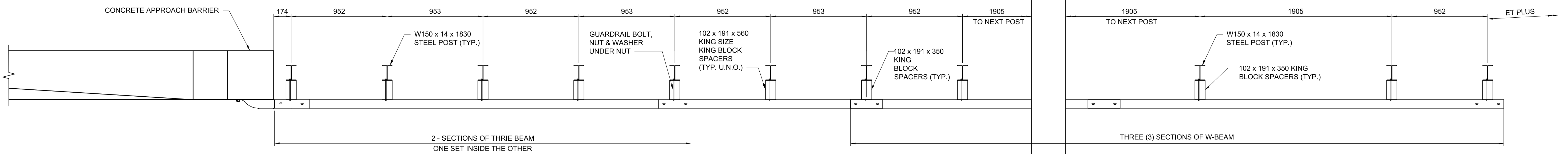


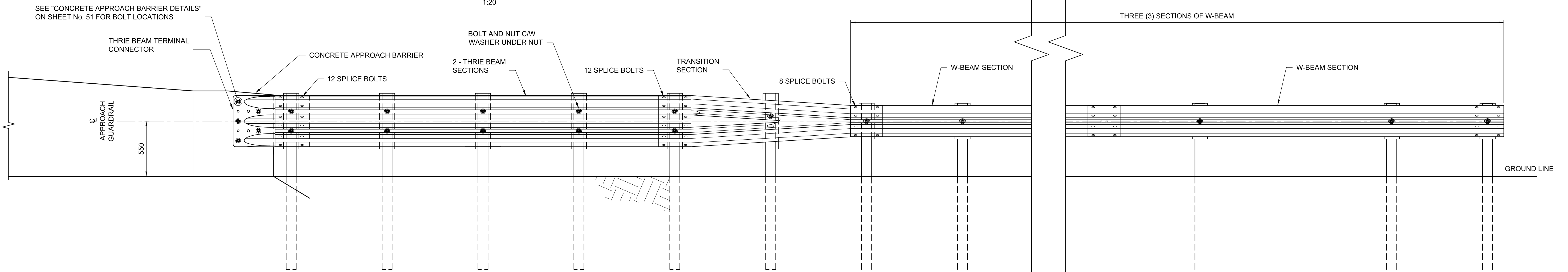
NORTH GUARDRAIL PLAN
1:20



NORTH GUARDRAIL ELEVATION
1:20



SOUTH GUARDRAIL PLAN
1:20



SOUTH GUARDRAIL ELEVATION
1:20

G:\CAD\126606\Contract\contract_2\Current\Struct\Approach_Guardrail_Details 1 of 5.dwg

APEGM
Certificate of Authorization
Dillon Consulting Limited (MB)
No. 1789 Date: 2013/08/01

UNDERGROUND STRUCTURES	B.M. ELEV.	DESIGNED BY	MRD
SUPV. U/G STRUCTURES COMMITTEE	DATE	DRAWN BY	MRD
NOTE: LOCATION OF UNDERGROUND STRUCTURES AS SHOWN ARE BASED ON THE BEST INFORMATION AVAILABLE BUT NO GUARANTEE IS GIVEN THAT ALL EXISTING UTILITIES ARE SHOWN OR THAT THE GIVEN LOCATIONS ARE EXACT. CONFIRMATION OF EXISTENCE AND EXACT LOCATION OF ALL SERVICES MUST BE OBTAINED FROM THE INDIVIDUAL UTILITIES BEFORE PROCEEDING WITH CONSTRUCTION.		CHECKED BY	DBW
		APPROVED BY	DPK
		HOR. SCALE	AS SHOWN
		VERTICAL	AS SHOWN
0 ISSUED FOR TENDER	13/08/08	RELEASED FOR CONSTRUCTION	
NO. REVISIONS	DATE	DATE	2013/08/01

DILLON CONSULTING

ENGINEER'S SEAL
PROVINCE OF MANITOBA
M.R.
DOUCET
Member
22306
REGISTERED PROFESSIONAL ENGINEER

THE CITY OF WINNIPEG
PUBLIC WORKS DEPARTMENT

Waverley West Arterial Roads Project (WWARP) Part 3 - Contract 2
Route 90 to Route 165, Overpass (Kenaston Blvd.) and Associated Works

CITY DRAWING NUMBER: B242-13-53
SHEET 53 OF 128
CONSULTANT DRAWING NUMBER

APPROACH GUARDRAIL DETAILS 1 OF 2