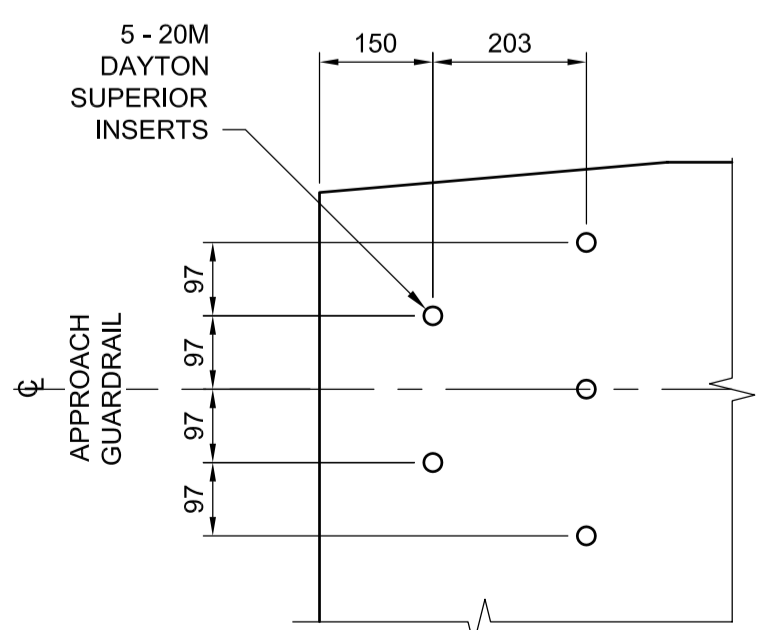
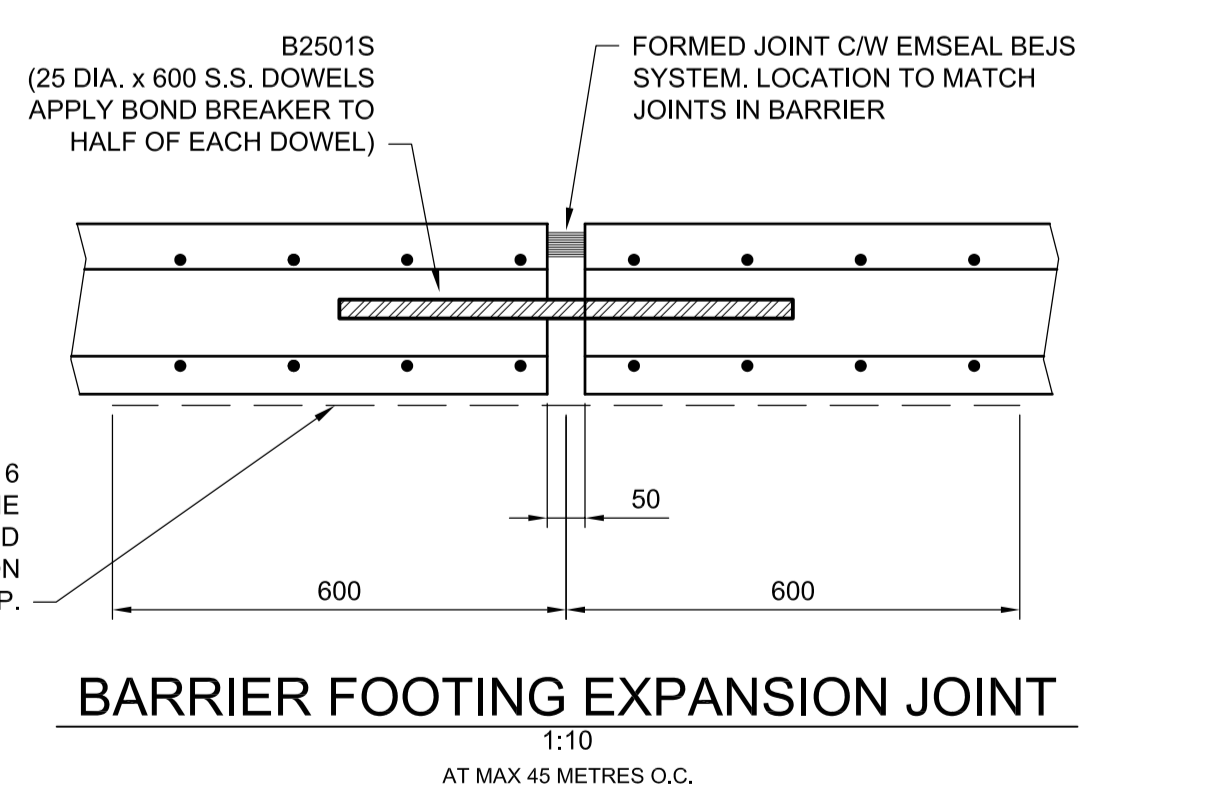
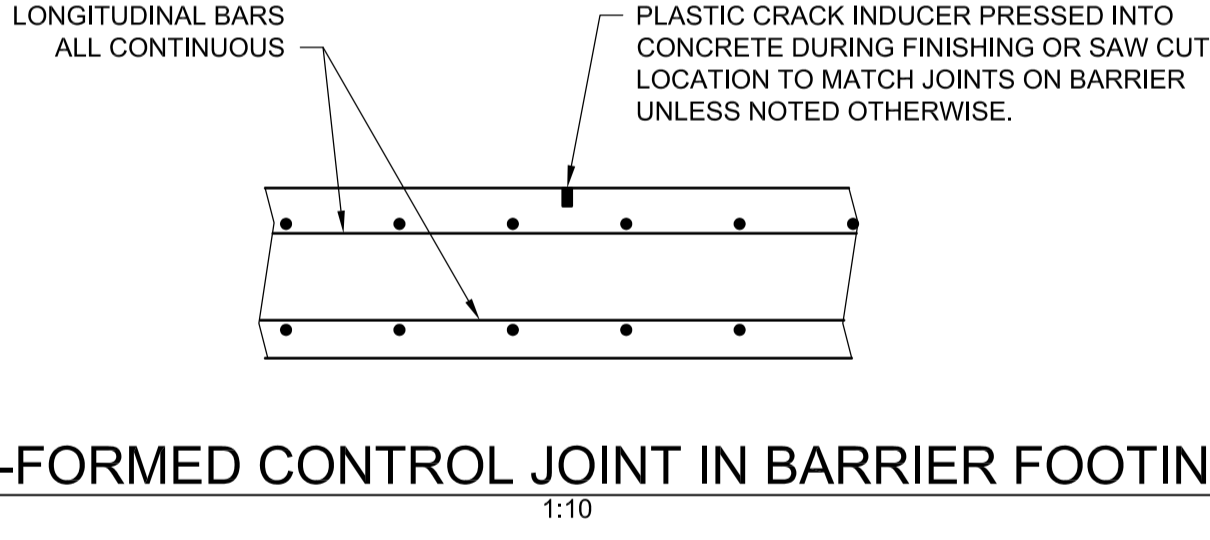
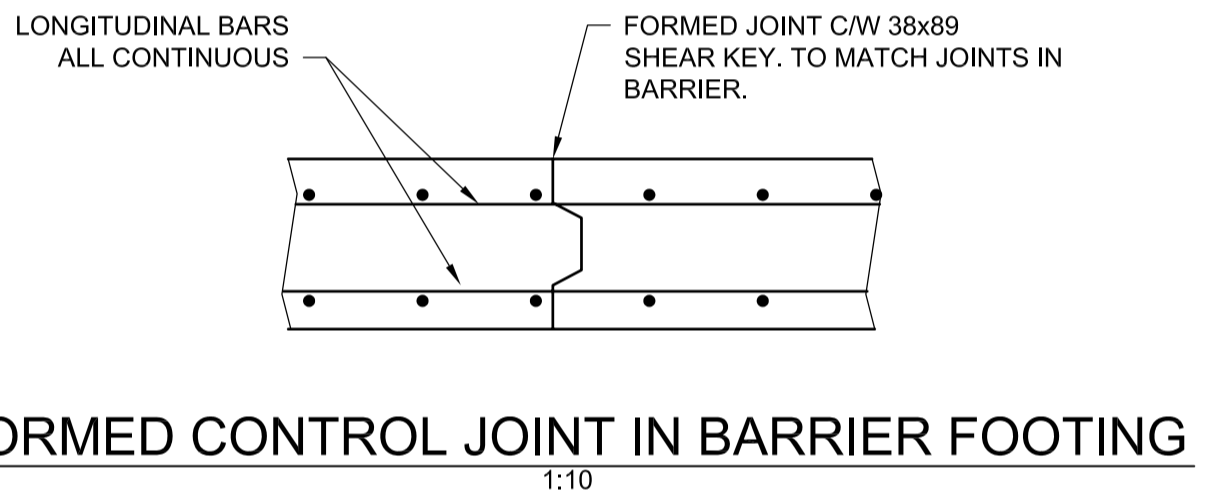
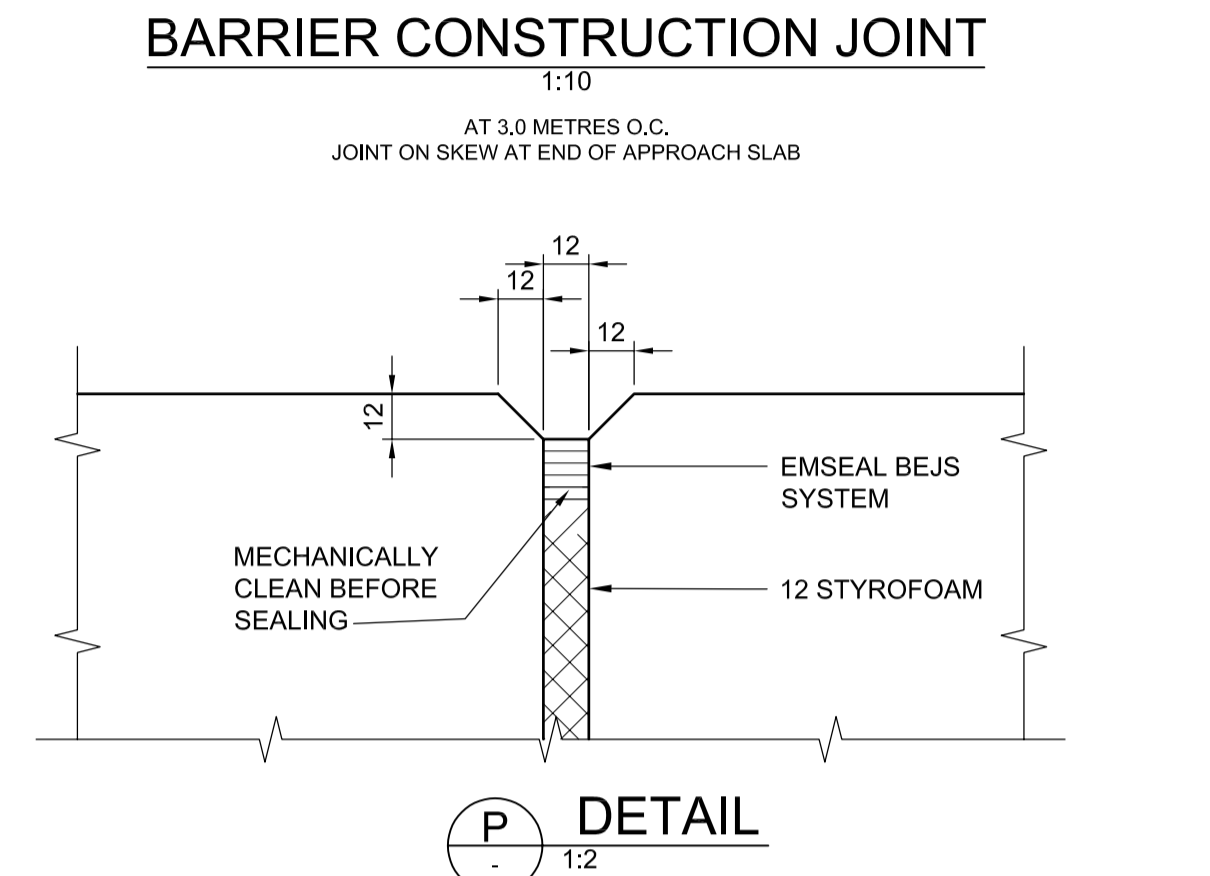
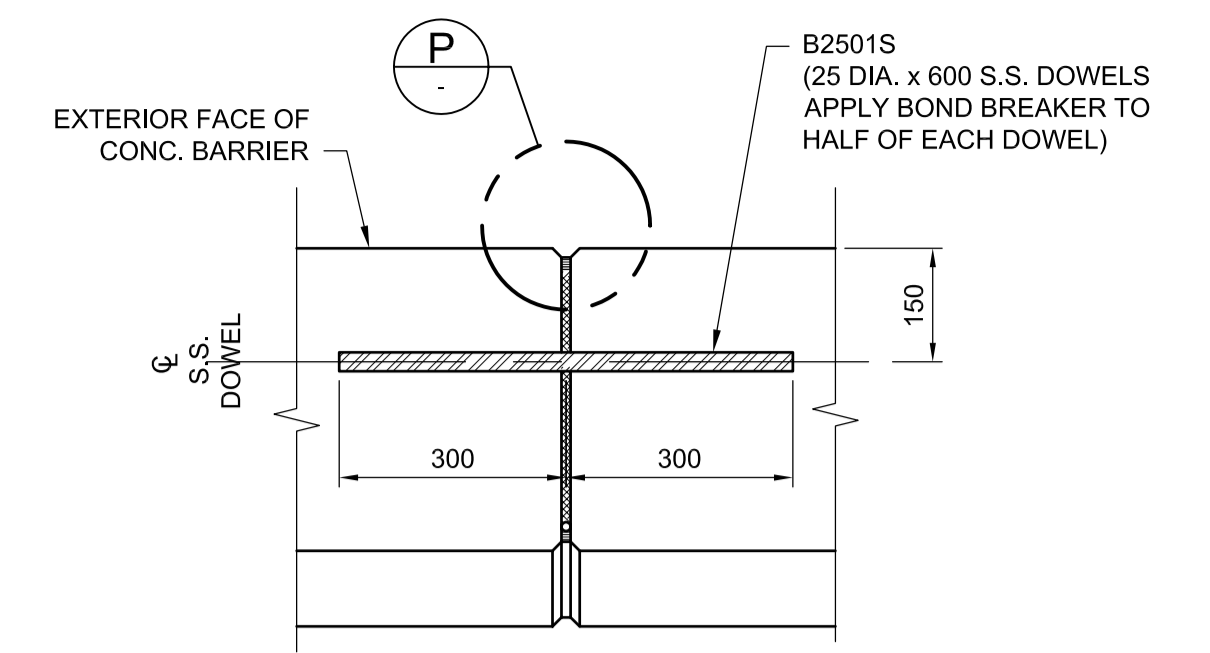
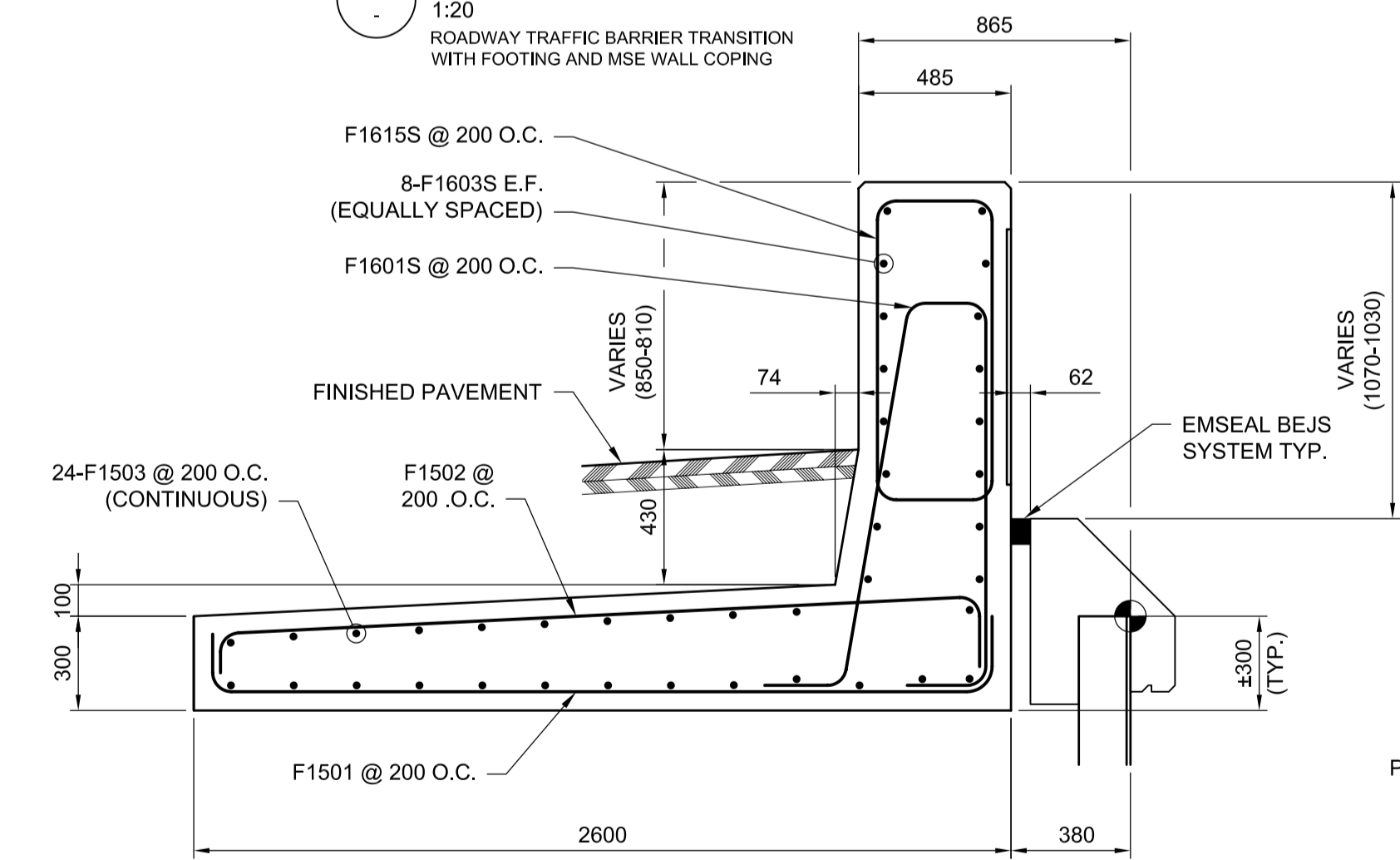
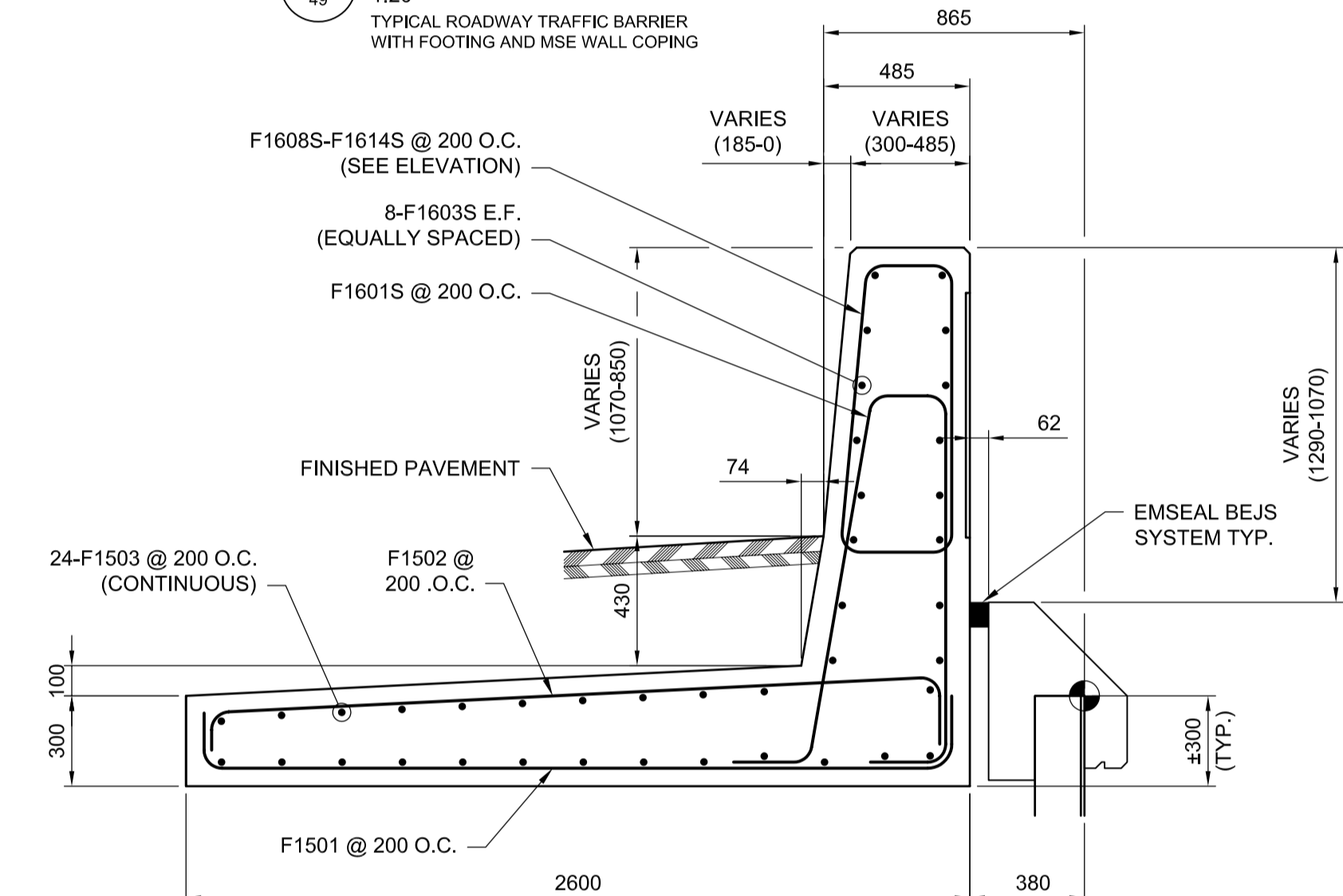
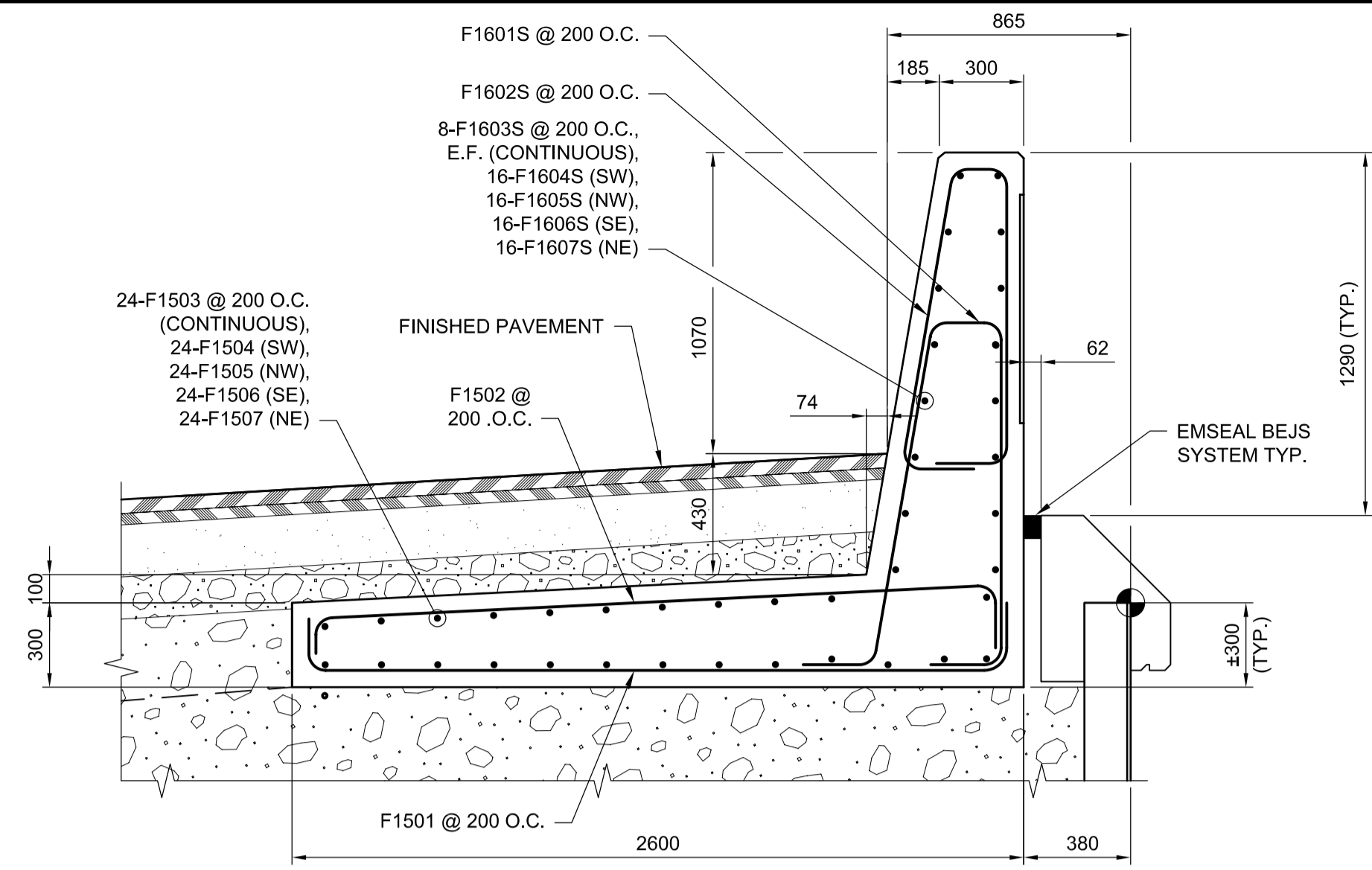


ROADWAY TRAFFIC BARRIER TRANSITION WITH FOOTING - TYPE 1 & TYPE 2

1:20
ROADWAY TRAFFIC BARRIER TRANSITION
TO APPROACH GUARDRAILS



DETAIL
1:20
STRUCTURAL INSERT LAYOUT
FOR GUARDRAIL ATTACHMENT



APEGM
Certificate of Authorization
Dillon Consulting Limited (MB)
No. 1789 Date: 2013/08/01

UNDERGROUND STRUCTURES	B.M. ELEV.	DESIGNED BY RE
SUPV. U/G STRUCTURES COMMITTEE	DATE	DRAWN BY CGC
		CHECKED BY SSR
		APPROVED BY MBL
		HOR. SCALE AS SHOWN
		VERTICAL AS SHOWN
0 ISSUED FOR TENDER	13/08/08	MBL
NO. REVISIONS	DATE	BY
	2013/08/01	

RELEASED FOR CONSTRUCTION	DATE
PROVINCE OF MANITOBA REGISTERED PROFESSIONAL ENGINEER R.B. ERIC Member	PROVINCE OF MANITOBA REGISTERED PROFESSIONAL ENGINEER Aug 8/13 S.S. RIHAL Member
CONSULTANT PROJECT NUMBER 12-6606	

DILLON CONSULTING

THE CITY OF WINNIPEG
PUBLIC WORKS DEPARTMENT

Waverley West Arterial Roads Project
(WWARP) PART 3 - CONTRACT 2
ROUTE 90 TO ROUTE 165, OVERPASS (KENASTON BLVD.)
AND ASSOCIATED WORKS

CITY DRAWING NUMBER
B242-13-51

SHEET 51 OF 128

CONSULTANT DRAWING NUMBER

UNDERGROUND STRUCTURES	B.M. ELEV.	DESIGNED BY RE
SUPV. U/G STRUCTURES COMMITTEE	DATE	DRAWN BY CGC
		CHECKED BY SSR
		APPROVED BY MBL
		HOR. SCALE AS SHOWN
		VERTICAL AS SHOWN
0 ISSUED FOR TENDER	13/08/08	MBL
NO. REVISIONS	DATE	BY
	2013/08/01	

G:\CAD\126606\Contract\contract_2\Current\Struct\MSE Wall Details_3_of_3.dwg