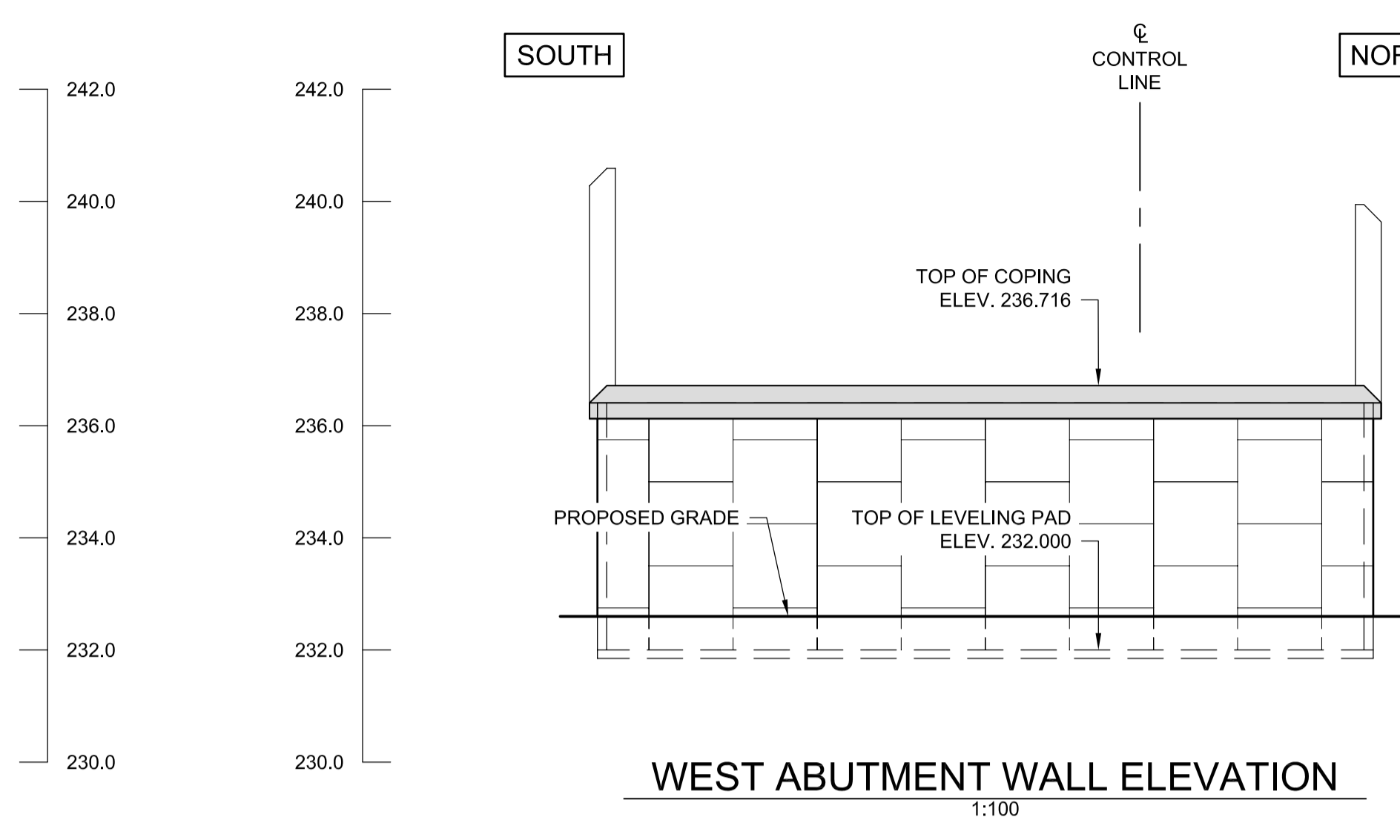
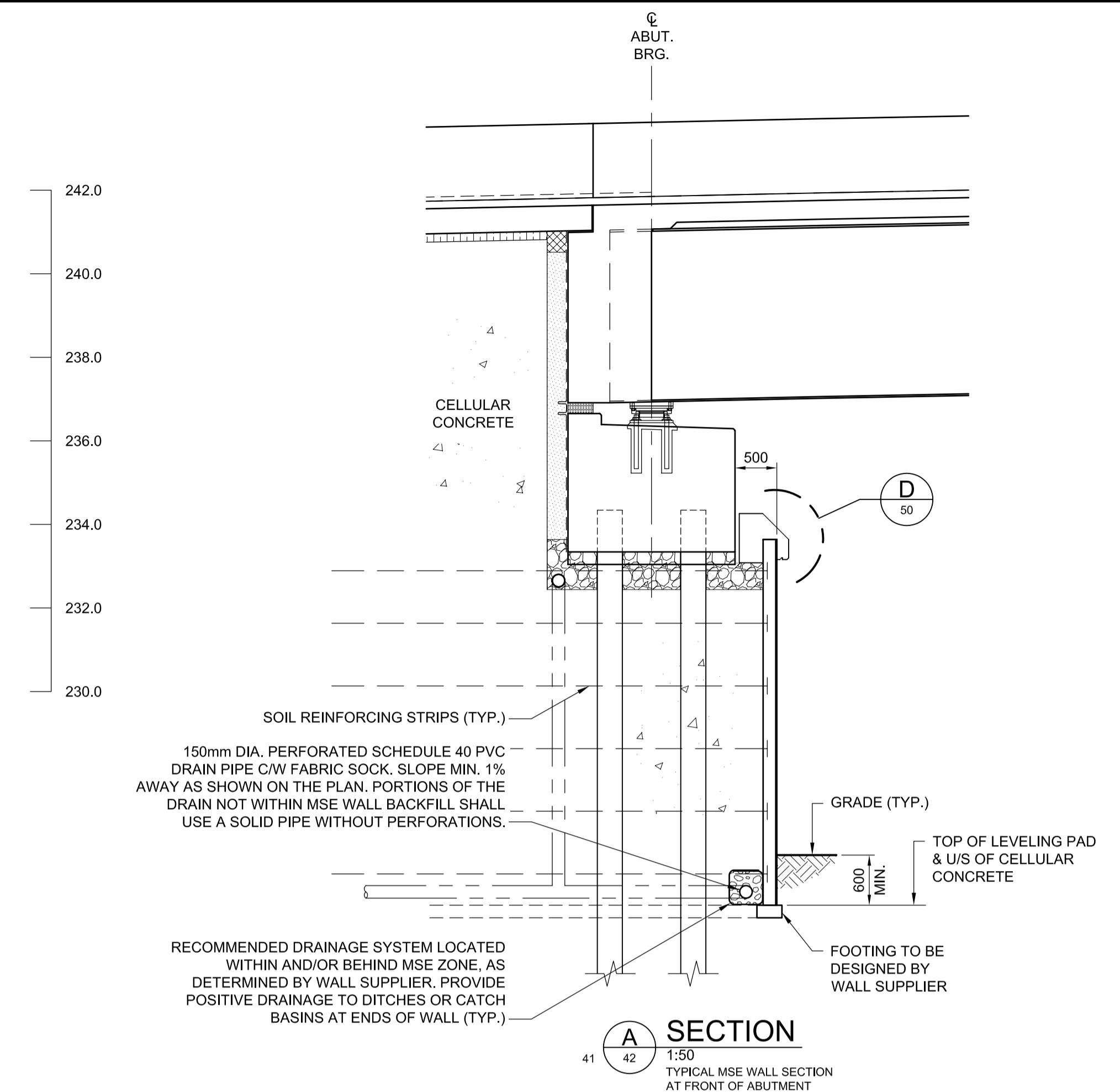


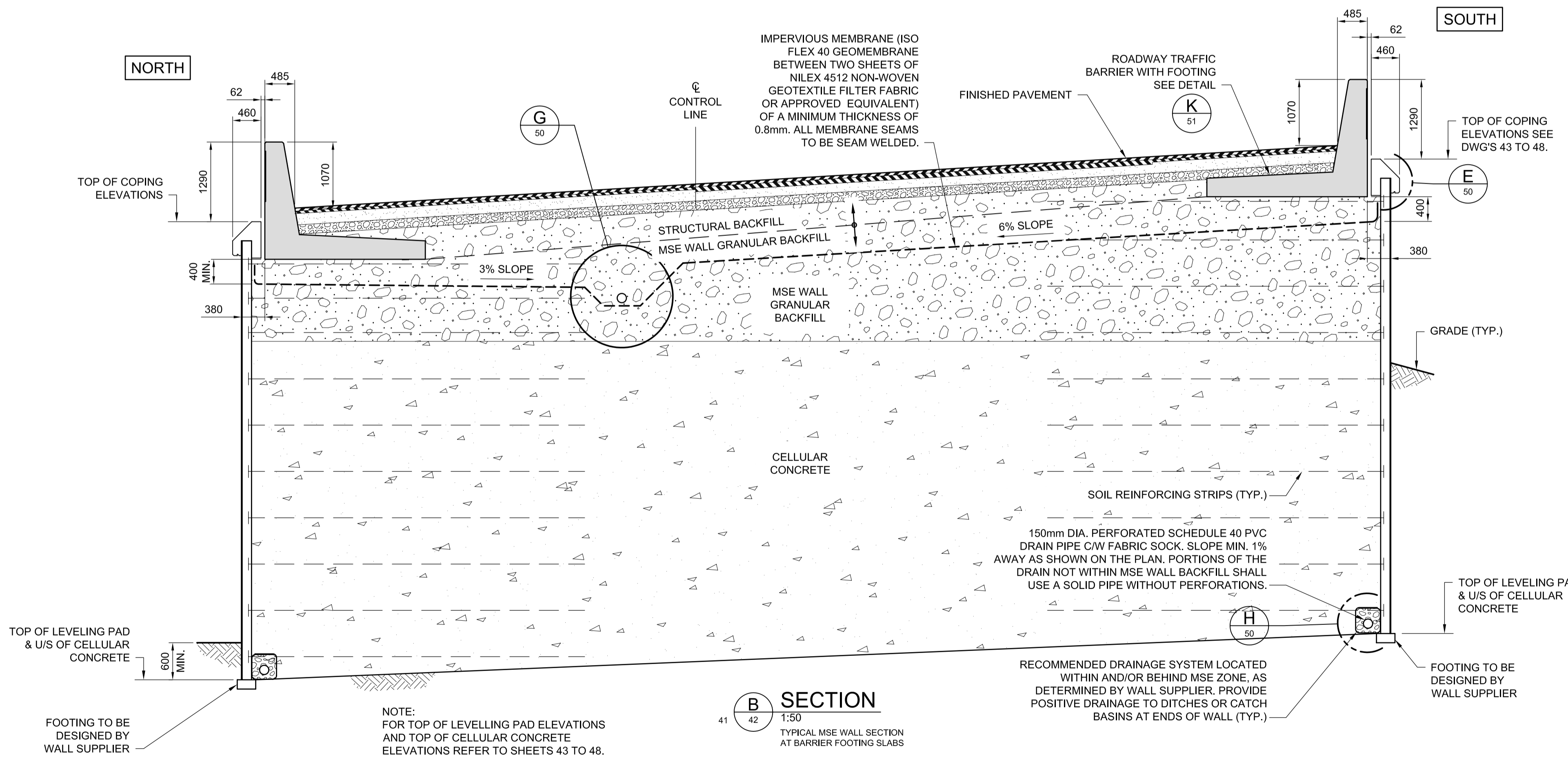
**EAST ABUTMENT WALL ELEVATION**  
1:100



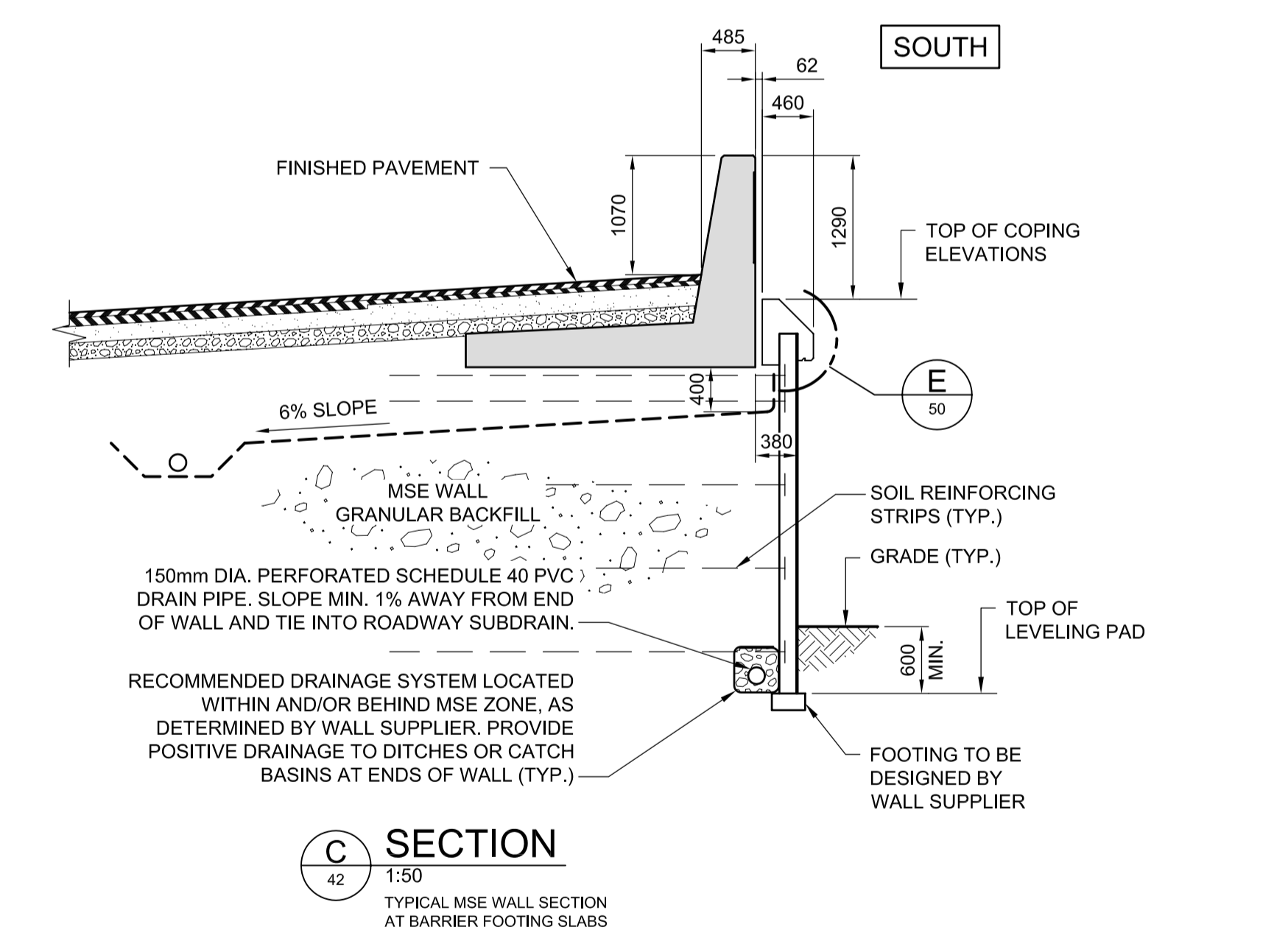
**WEST ABUTMENT WALL ELEVATION**  
1:100



**SECTION A**  
1:50  
TYPICAL MSE WALL SECTION AT FRONT OF ABUTMENT



**SECTION B**  
1:50  
TYPICAL MSE WALL SECTION AT BARRIER FOOTING SLABS



**SECTION C**  
1:50  
TYPICAL MSE WALL SECTION AT BARRIER FOOTING SLABS

G:\CAD\126606\Contract\contract\_2\Current\Struct\MSE Wall Details 1 of 3.dwg

**APEGM**  
Certificate of Authorization  
**Dillon Consulting Limited (MB)**  
No. 1789 Date: 2013/08/01

UNDERGROUND STRUCTURES		B.M. ELEV.
SUPV. U/G STRUCTURES COMMITTEE	DATE	
NOTE: LOCATION OF UNDERGROUND STRUCTURES AS SHOWN ARE BASED ON THE BEST INFORMATION AVAILABLE BUT NO GUARANTEE IS GIVEN THAT ALL EXISTING UTILITIES ARE SHOWN OR THAT THE GIVEN LOCATIONS ARE EXACT. CONFIRMATION OF EXISTENCE AND EXACT LOCATION OF ALL SERVICES MUST BE OBTAINED FROM THE INDIVIDUAL UTILITIES BEFORE PROCEEDING WITH CONSTRUCTION.		
0	ISSUED FOR TENDER	13/08/08 MBL
NO.	REVISIONS	DATE BY

DESIGNED BY	RE	
DRAWN BY	CGC	
CHECKED BY	SSR	
APPROVED BY	MBL	
HOR. SCALE	AS SHOWN	
VERTICAL		
0	ISSUED FOR TENDER	13/08/08 MBL
NO.	REVISIONS	DATE BY
		DATE 2013/08/01

**DILLON CONSULTING**  
RELEASED FOR CONSTRUCTION

ENGINEER'S SEAL  
PROVINCE OF MANITOBA  
**R.B. ERIC**  
REGISTERED PROFESSIONAL ENGINEER

ENGINEER'S SEAL  
PROVINCE OF MANITOBA  
**S.S. RIHAL**  
REGISTERED PROFESSIONAL ENGINEER

**THE CITY OF WINNIPEG**  
PUBLIC WORKS DEPARTMENT  
**Waverley West Arterial Roads Project (WWARP) PART 3 - CONTRACT 2**  
ROUTE 90 TO ROUTE 165, OVERPASS (KENASTON BLVD.) AND ASSOCIATED WORKS  
MSE WALL DETAILS 1 OF 3

CITY DRAWING NUMBER: B242-13-49  
SHEET 49 OF 128  
CONSULTANT DRAWING NUMBER

CONSULTANT PROJECT NUMBER: 12-6606