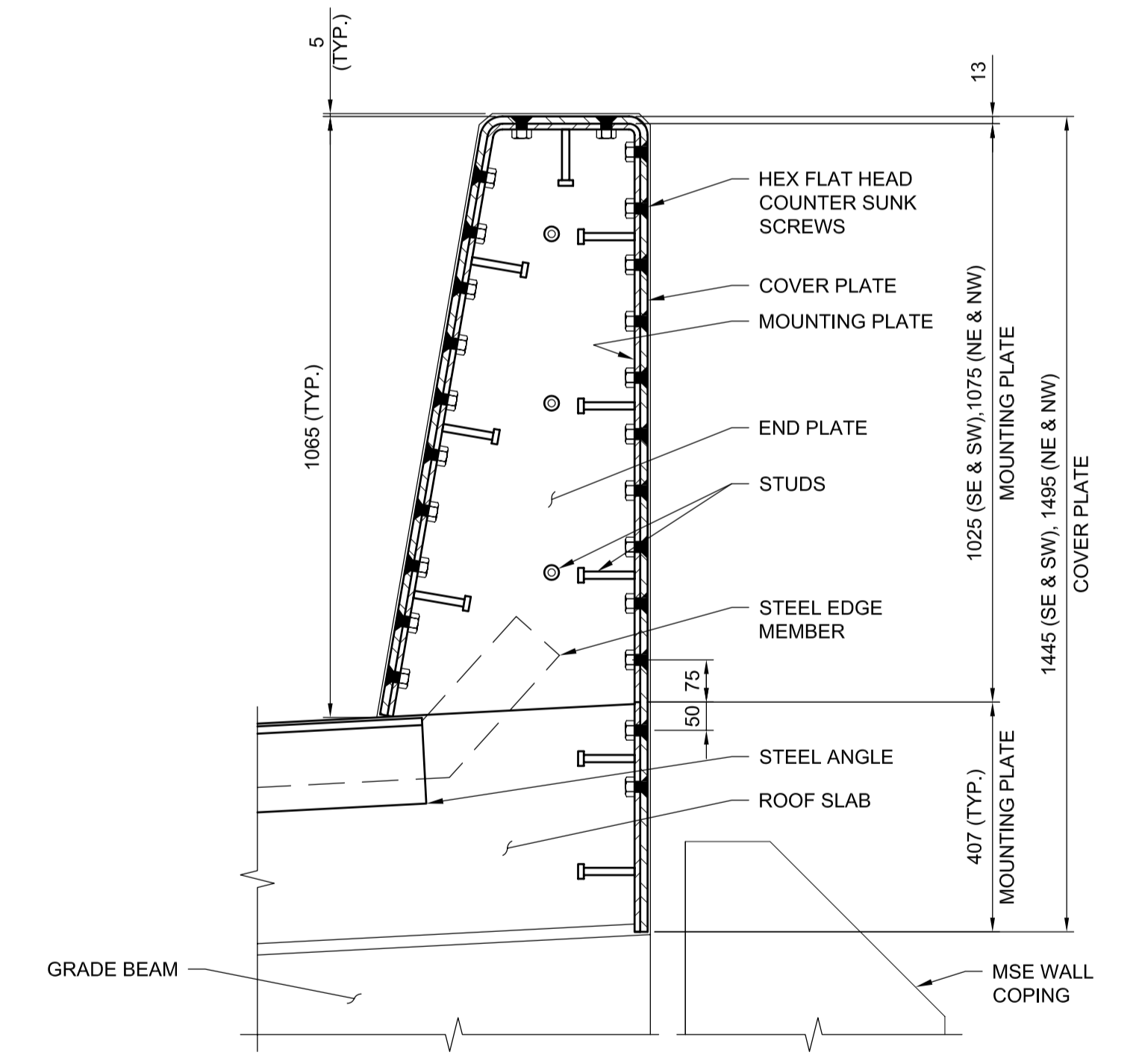
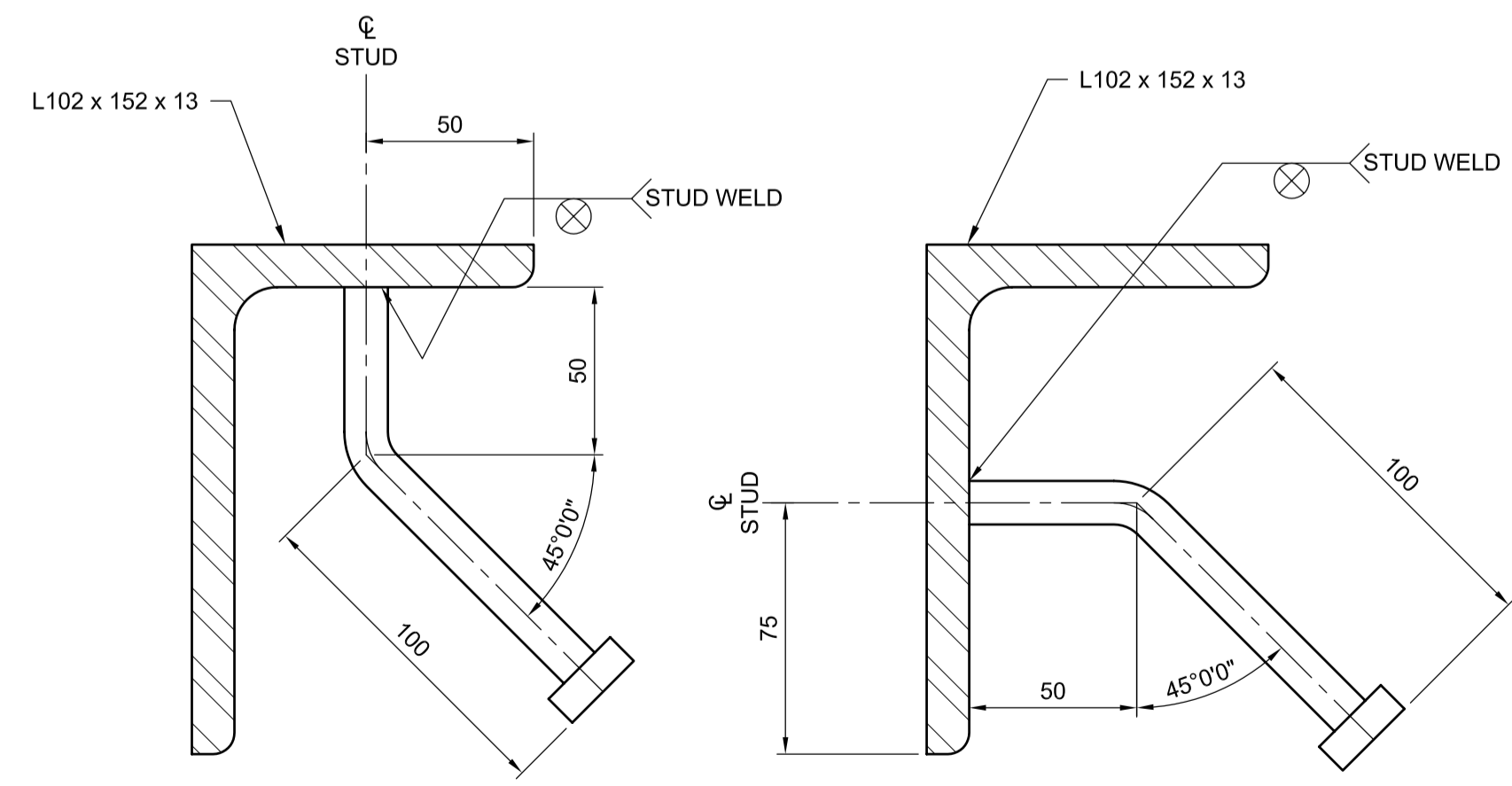


**C SECTION**  
1:5  
SE CONCRETE TRAFFIC BARRIER COVER  
PLATES SHOWN - NE, NW & SW SIMILAR

**D SECTION**  
1:10  
SE CONCRETE TRAFFIC BARRIER COVER  
PLATES SHOWN - NE, NW & SW SIMILAR



**E SECTION**  
1:10  
SE CONCRETE TRAFFIC BARRIER COVER  
PLATES SHOWN - NE, NW & SW SIMILAR



**F SECTION**  
1:2

**G SECTION**  
1:2

G:\CAD\126606\Contract\contract\_2\Current\Struct-Concrete Traffic Barrier Cover Plates.dwg

**APEGM**  
Certificate of Authorization  
Dillon Consulting Limited (MB)  
No. 1789 Date: 2013/08/01

UNDERGROUND STRUCTURES	B.M. ELEV.	DESIGNED BY RE	ENGINEER'S SEAL
SUPV. U/G STRUCTURES COMMITTEE		DRAWN BY CGC	ENGINEER'S SEAL
DATE		CHECKED BY SSR	PROVINCE OF MANITOBA R.B. ERIC REGISTERED PROFESSIONAL ENGINEER
		APPROVED BY MBL	PROVINCE OF MANITOBA S.S. RIHAL REGISTERED PROFESSIONAL ENGINEER
NOTE: LOCATION OF UNDERGROUND STRUCTURES AS SHOWN ARE BASED ON THE BEST INFORMATION AVAILABLE BUT NO GUARANTEE IS GIVEN THAT ALL EXISTING UTILITIES ARE SHOWN OR THAT THE GIVEN LOCATIONS ARE EXACT. CONFIRMATION OF EXISTENCE AND EXACT LOCATION OF ALL SERVICES MUST BE OBTAINED FROM THE INDIVIDUAL UTILITIES BEFORE PROCEEDING WITH CONSTRUCTION.		HOR. SCALE AS SHOWN	CONSULTANT PROJECT NUMBER 12-6606
		VERTICAL AS SHOWN	
0 ISSUED FOR TENDER	13/08/08	DATE	2013/08/01
NO. REVISIONS	DATE	BY	DATE

			<b>THE CITY OF WINNIPEG</b> PUBLIC WORKS DEPARTMENT	
			WAVERLEY WEST ARTERIAL ROADS PROJECT (WWARP) PART 3 - CONTRACT 2 ROUTE 90 TO ROUTE 165, OVERPASS (KENASTON BLVD.) AND ASSOCIATED WORKS	
RELEASED FOR CONSTRUCTION			CITY DRAWING NUMBER B242-13-38	
EXPANSION JOINT DETAILS 3 OF 3			SHEET 38 OF 128	
CONSULTANT DRAWING NUMBER			CONSULTANT DRAWING NUMBER	