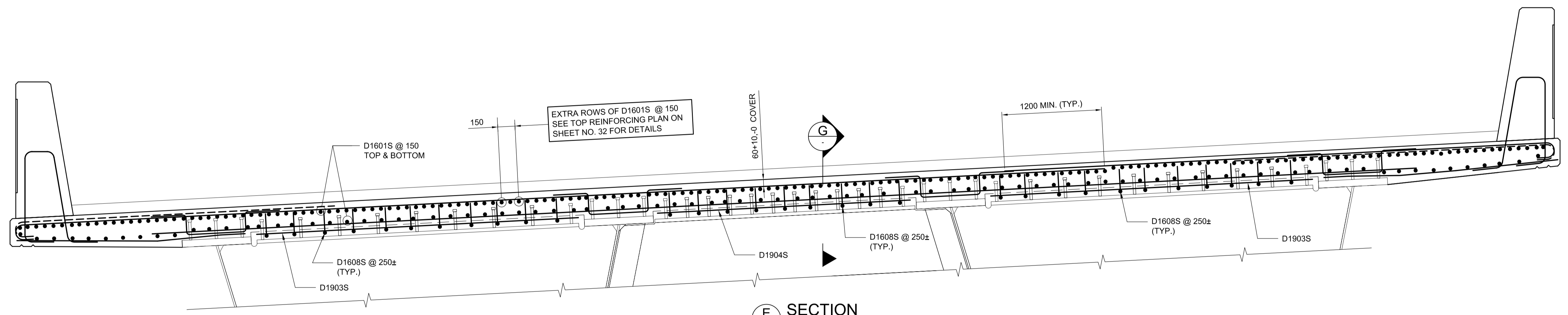
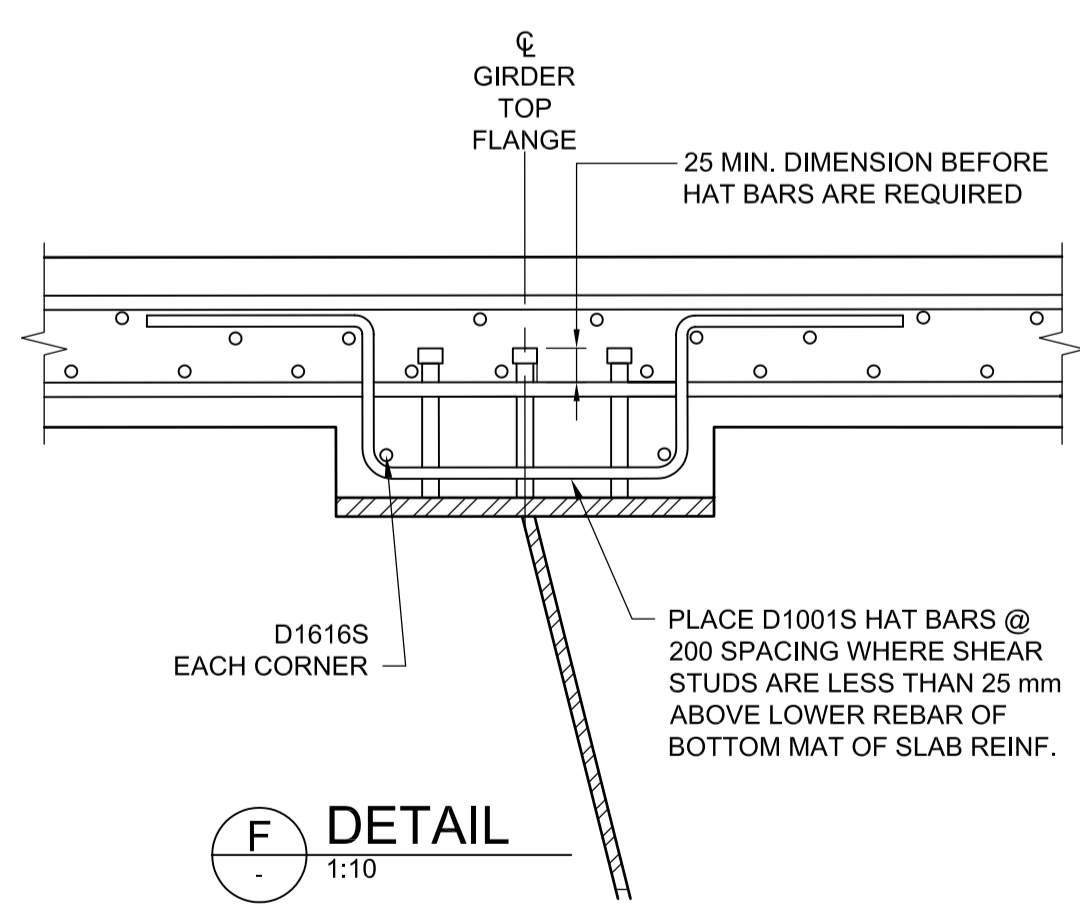


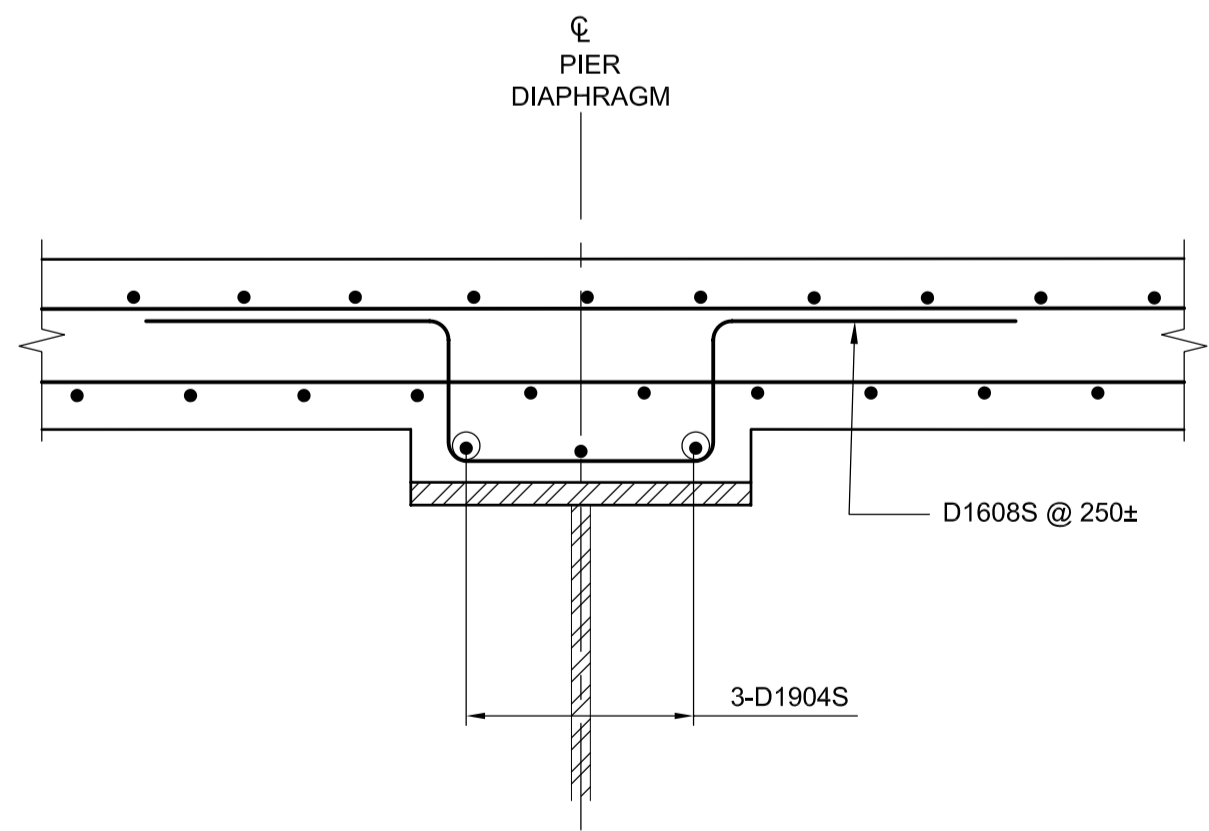
D SECTION
31.32
1:20



E SECTION
31.32
1:20



F DETAIL
1:10



G SECTION
1:10

NOTE:
LAYOUT & DETAILS OF REBAR MK. D1616S & D1001S SHOWN IN THIS DETAIL TO BE DETERMINED, AS REQUIRED. THESE REBARS ARE NOT LISTED IN THE REINFORCING SCHEDULE.

APEGM
Certificate of Authorization
Dillon Consulting Limited (MB)
No. 1789 Date: 2013/08/01

UNDERGROUND STRUCTURES		B.M. ELEV.	DESIGNED BY	RE
SUPV. U/G STRUCTURES COMMITTEE	DATE		DRAWN BY	NBG
			CHECKED BY	SSR
			APPROVED BY	MBL
			HOR. SCALE	AS SHOWN
			VERTICAL	
0	ISSUED FOR TENDER	13/08/08	DATE	2013/08/01
NO.	REVISIONS	DATE	BY	DATE

NOTE:
LOCATION OF UNDERGROUND STRUCTURES AS SHOWN ARE BASED ON THE BEST INFORMATION AVAILABLE BUT NO GUARANTEE IS GIVEN THAT ALL EXISTING UTILITIES ARE SHOWN OR THAT THE GIVEN LOCATIONS ARE EXACT. CONFIRMATION OF EXISTENCE AND EXACT LOCATION OF ALL SERVICES MUST BE OBTAINED FROM THE INDIVIDUAL UTILITIES BEFORE PROCEEDING WITH CONSTRUCTION.

DILLON CONSULTING

RELEASED FOR CONSTRUCTION

DATE

ENGINEER'S SEAL
PROVINCE OF MANITOBA
R.B. ERIC
REGISTERED PROFESSIONAL ENGINEER

ENGINEER'S SEAL
PROVINCE OF MANITOBA
S.S. RIHAL
REGISTERED PROFESSIONAL ENGINEER

THE CITY OF WINNIPEG
PUBLIC WORKS DEPARTMENT

Waverley West Arterial Roads Project (WWARP) PART 3 - CONTRACT 2
ROUTE 90 TO ROUTE 165, OVERPASS (KENASTON BLVD.) AND ASSOCIATED WORKS

CITY DRAWING NUMBER: B242-13-33
SHEET 33 OF 128
CONSULTANT DRAWING NUMBER

CONSULTANT PROJECT NUMBER: 12-6606
DECK SLAB REINFORCING DETAILS

G:\CAD\126606\Contract\contract_2\Current\Struct_Deck_Slab_Reinforcing_Details.dwg