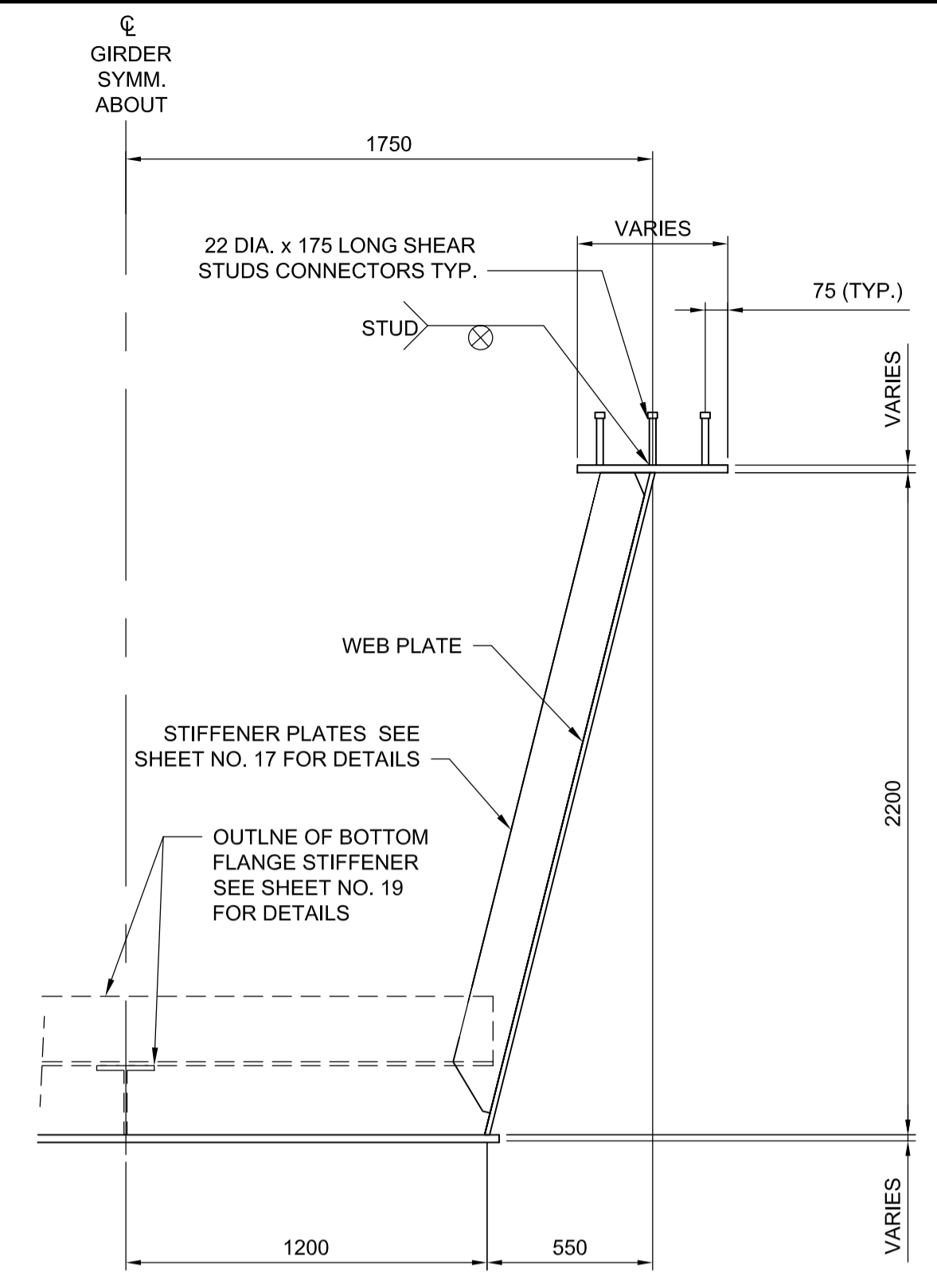
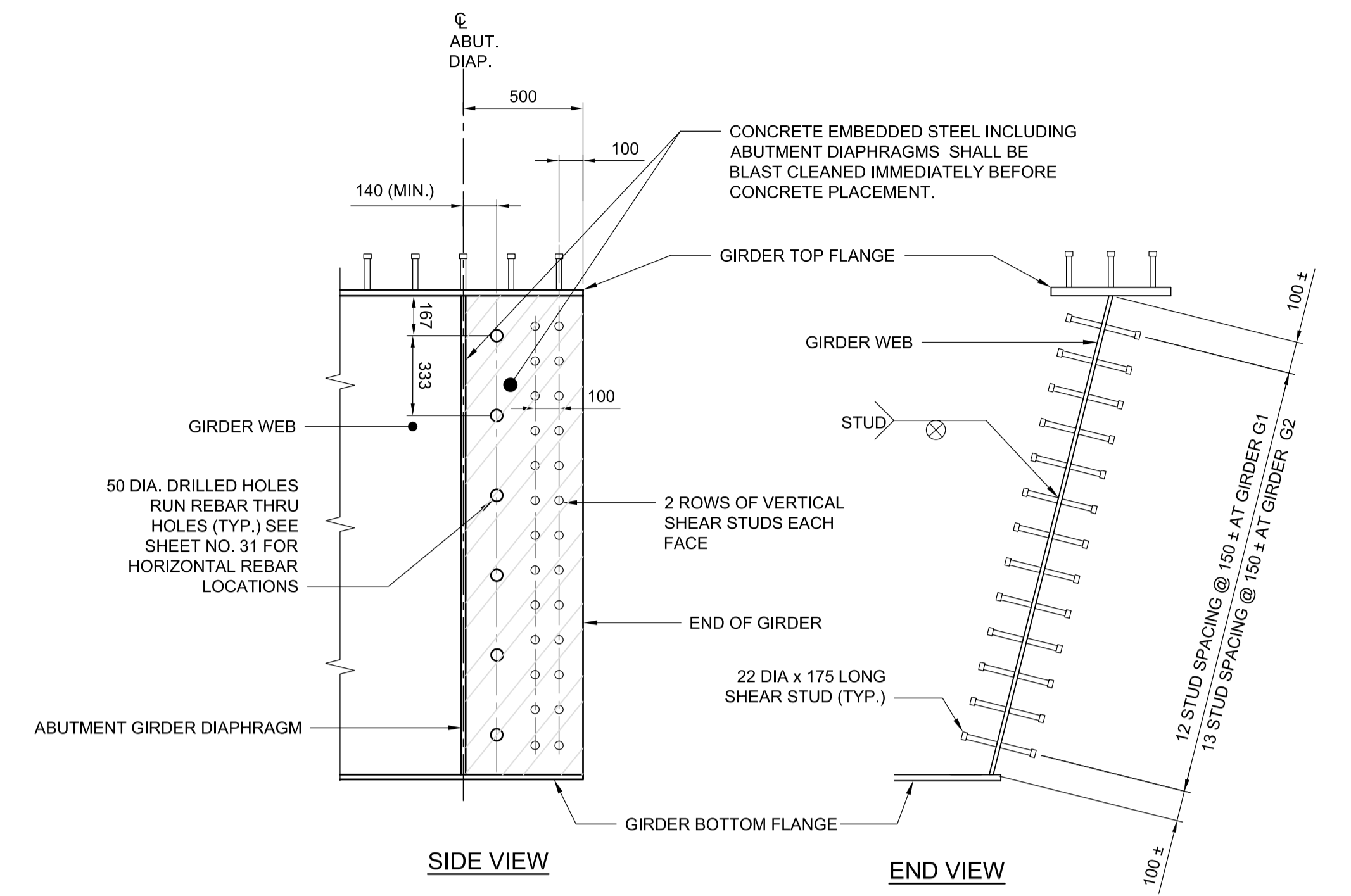


AT GIRDER LINE G1

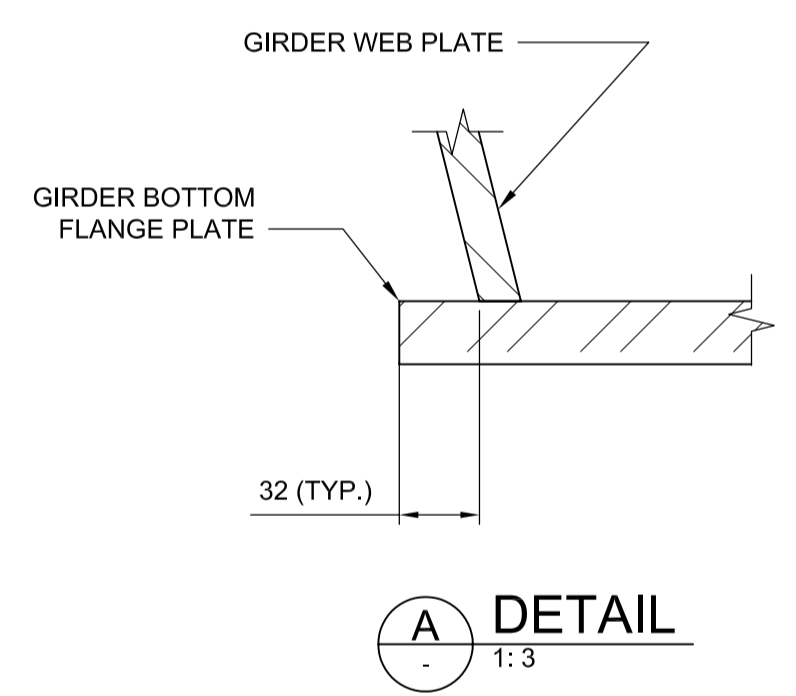


AT GIRDER LINE G2

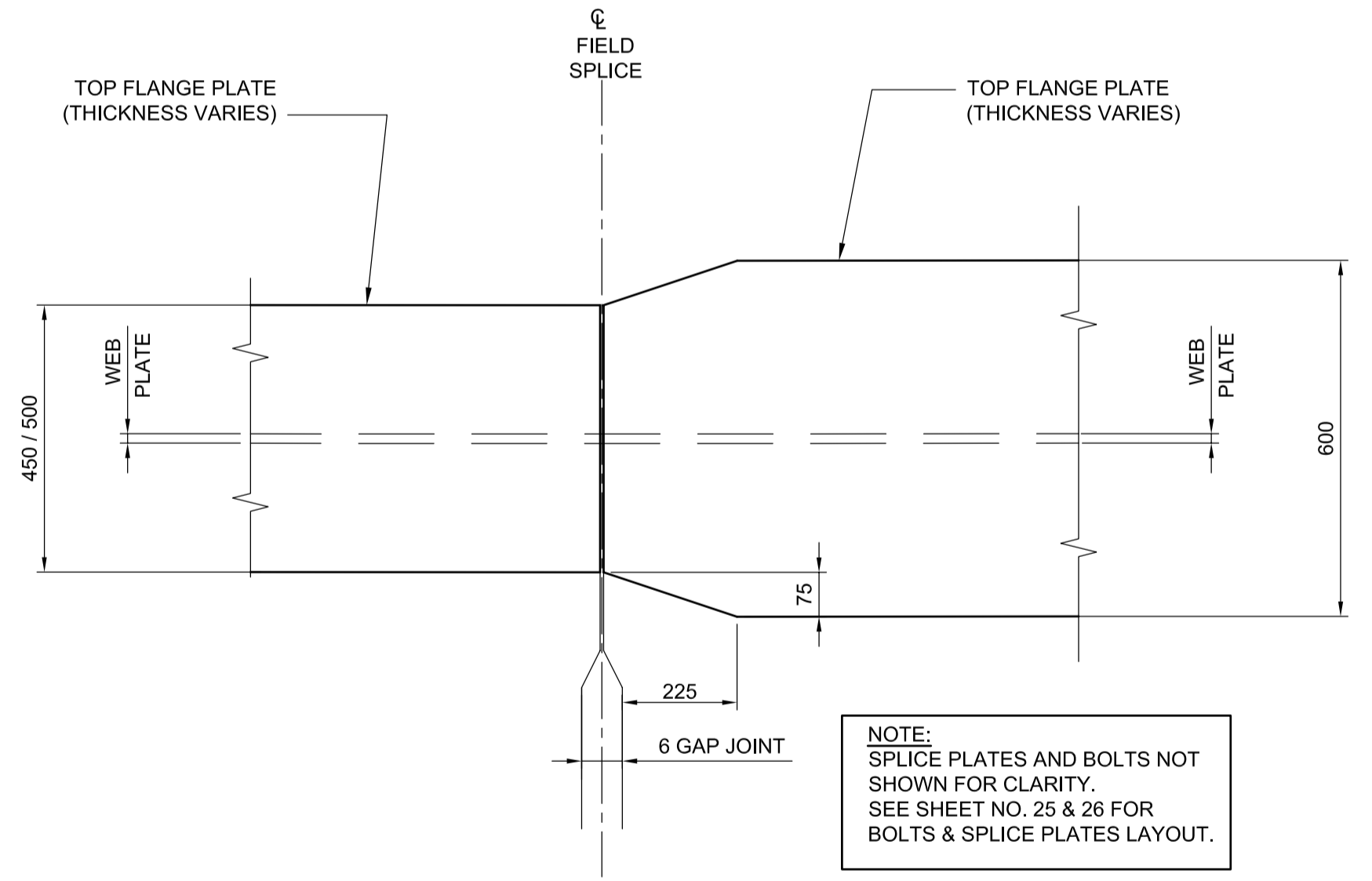
TYPICAL GIRDER SECTION  
1:20



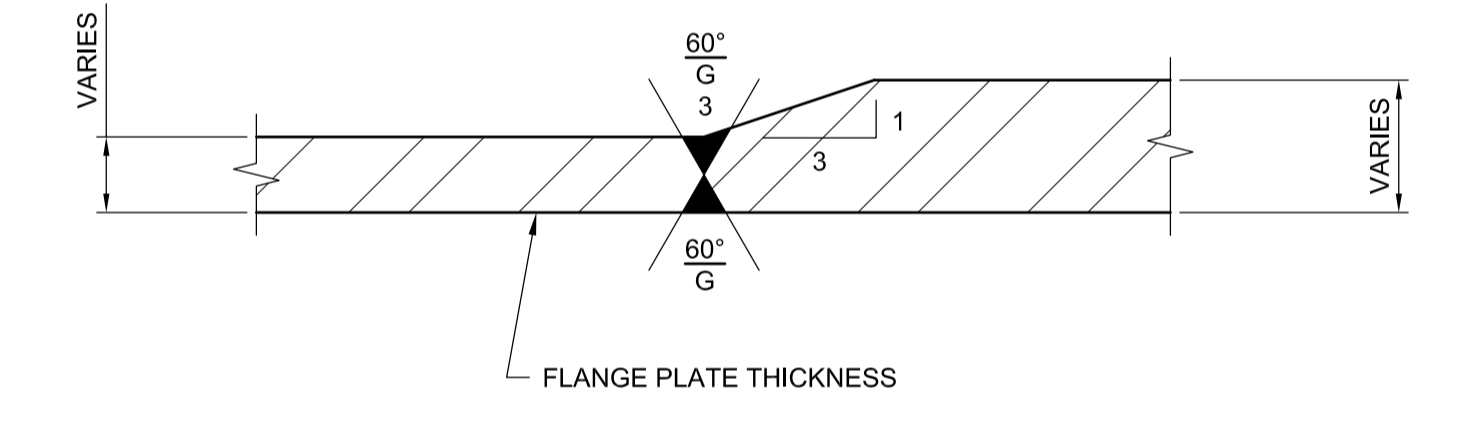
TYPICAL END GIRDER DETAIL  
1:20



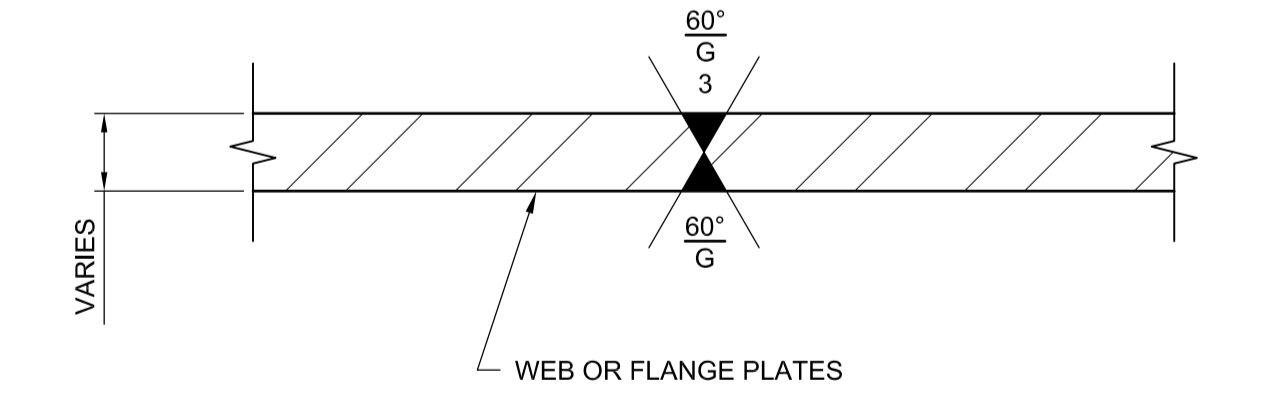
DETAIL A  
1:3



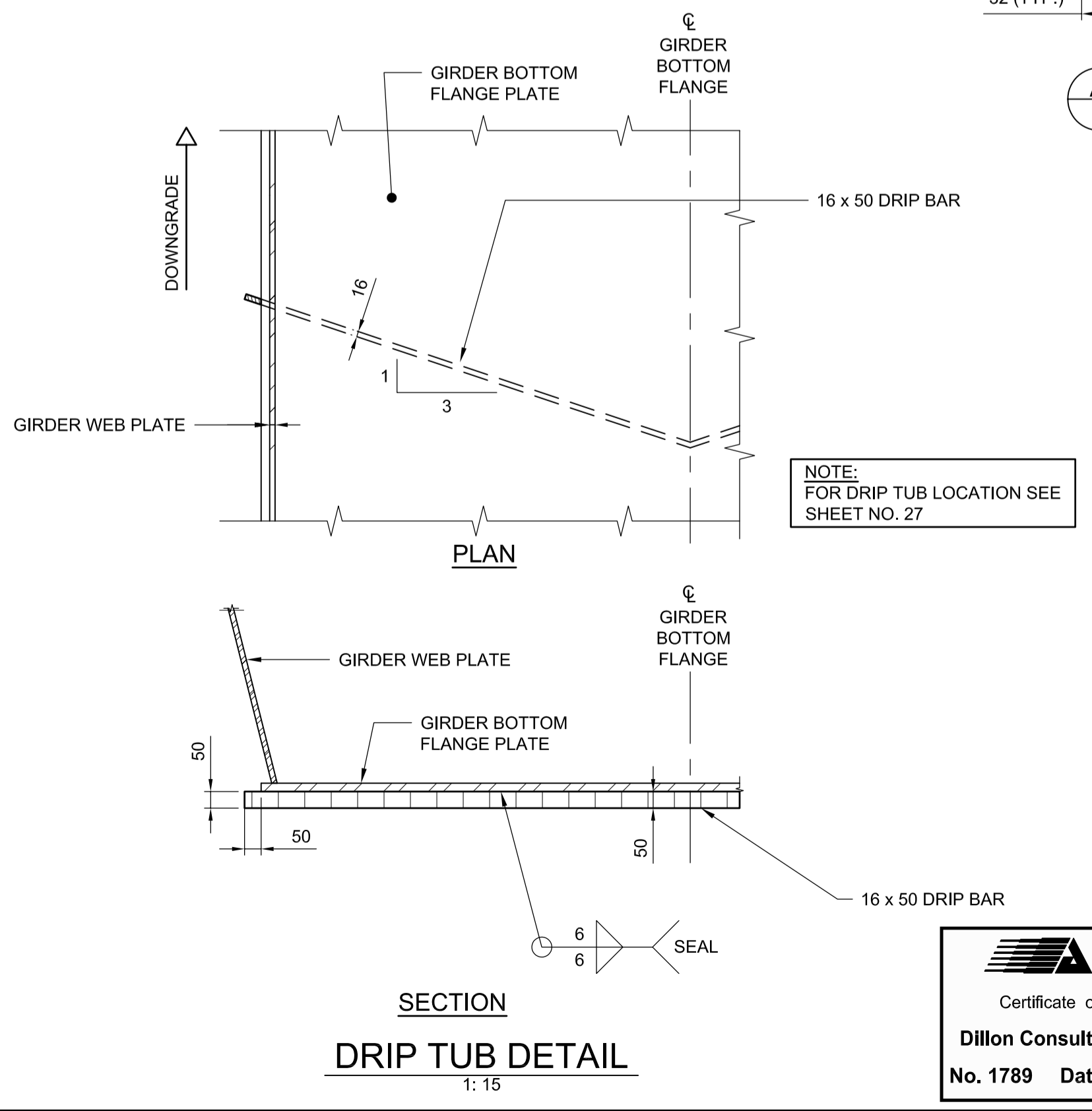
TOP FLANGE TRANSITION PLATE DETAIL AT FIELD SPlice  
1:10



WELD DETAIL AT CHANGE OF FLANGE PLATE THICKNESS  
1:2



WELD DETAIL AT SAME THICKNESS FLANGE OR WEB PLATES  
1:2



DRIP TUB DETAIL  
1:15

**APEGM**  
Certificate of Authorization  
Dillon Consulting Limited (MB)  
No. 1789 Date: 2013/08/01

UNDERGROUND STRUCTURES	B.M. ELEV.	DESIGNED BY	RE
SUPV. U/G STRUCTURES COMMITTEE	DATE	DRAWN BY	NBG
		CHECKED BY	SSR
		APPROVED BY	MBL
		HOR. SCALE	AS SHOWN
		VERTICAL	
0 ISSUED FOR TENDER	13/08/08	DATE	2013/08/01
NO. REVISIONS	DATE	BY	DATE

RELEASED FOR CONSTRUCTION	DATE
CONSULTANT PROJECT NUMBER	12-6606

**DILLON CONSULTING**

ENGINEER'S SEAL  
PROVINCE OF MANITOBA  
REGISTERED PROFESSIONAL ENGINEER  
R.B. ERIC  
Member

ENGINEER'S SEAL  
PROVINCE OF MANITOBA  
REGISTERED PROFESSIONAL ENGINEER  
Aug 8/13  
S.S. RIHAL  
Member

**THE CITY OF WINNIPEG**  
PUBLIC WORKS DEPARTMENT  
Waverley West Arterial Roads Project (WWARP) PART 3 - CONTRACT 2  
ROUTE 90 TO ROUTE 165, OVERPASS (KENASTON BLVD.) AND ASSOCIATED WORKS  
STEEL GIRDERS - FLANGE PLATE AND WEB PLATE DETAILS  
CITY DRAWING NUMBER B242-13-20  
SHEET 20 OF 128  
CONSULTANT DRAWING NUMBER

G:\CAD\126606\Contract\contract\_2\Current\Struct\_Steel Girders - Flange Plate and Web Plate Details.dwg