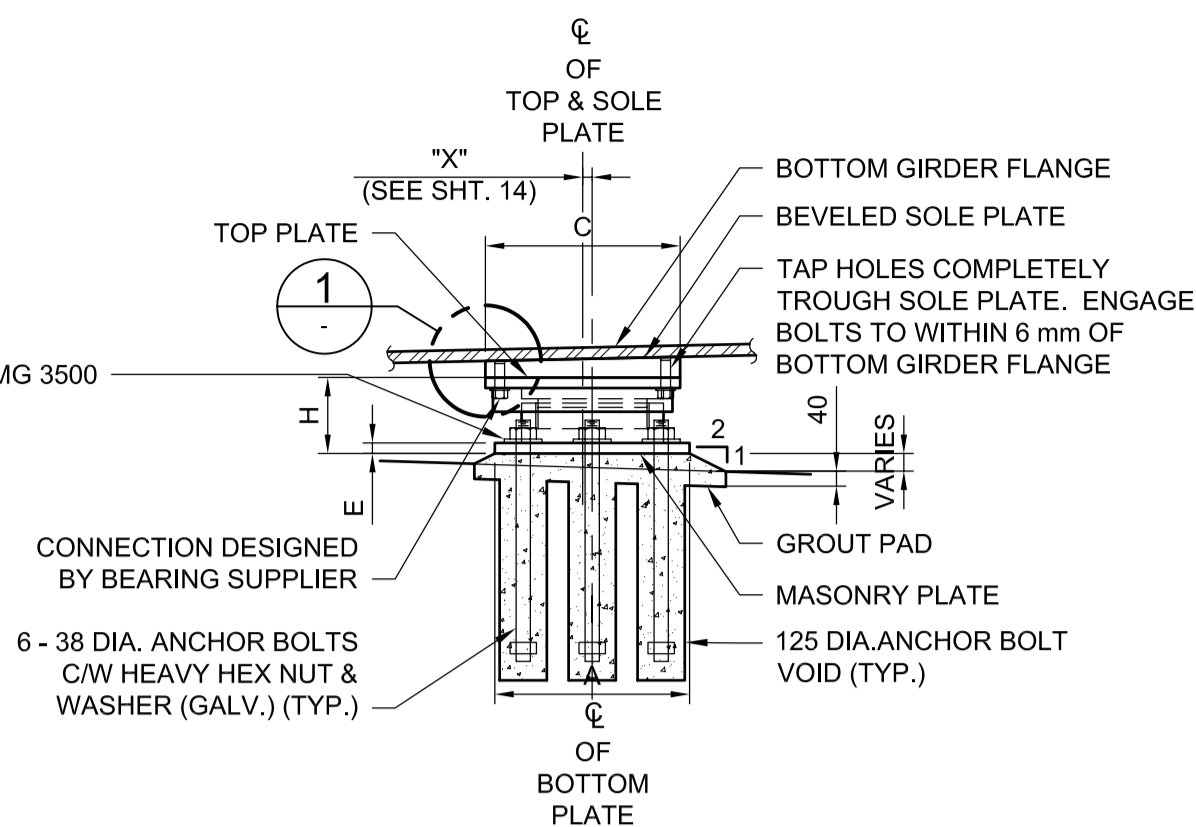


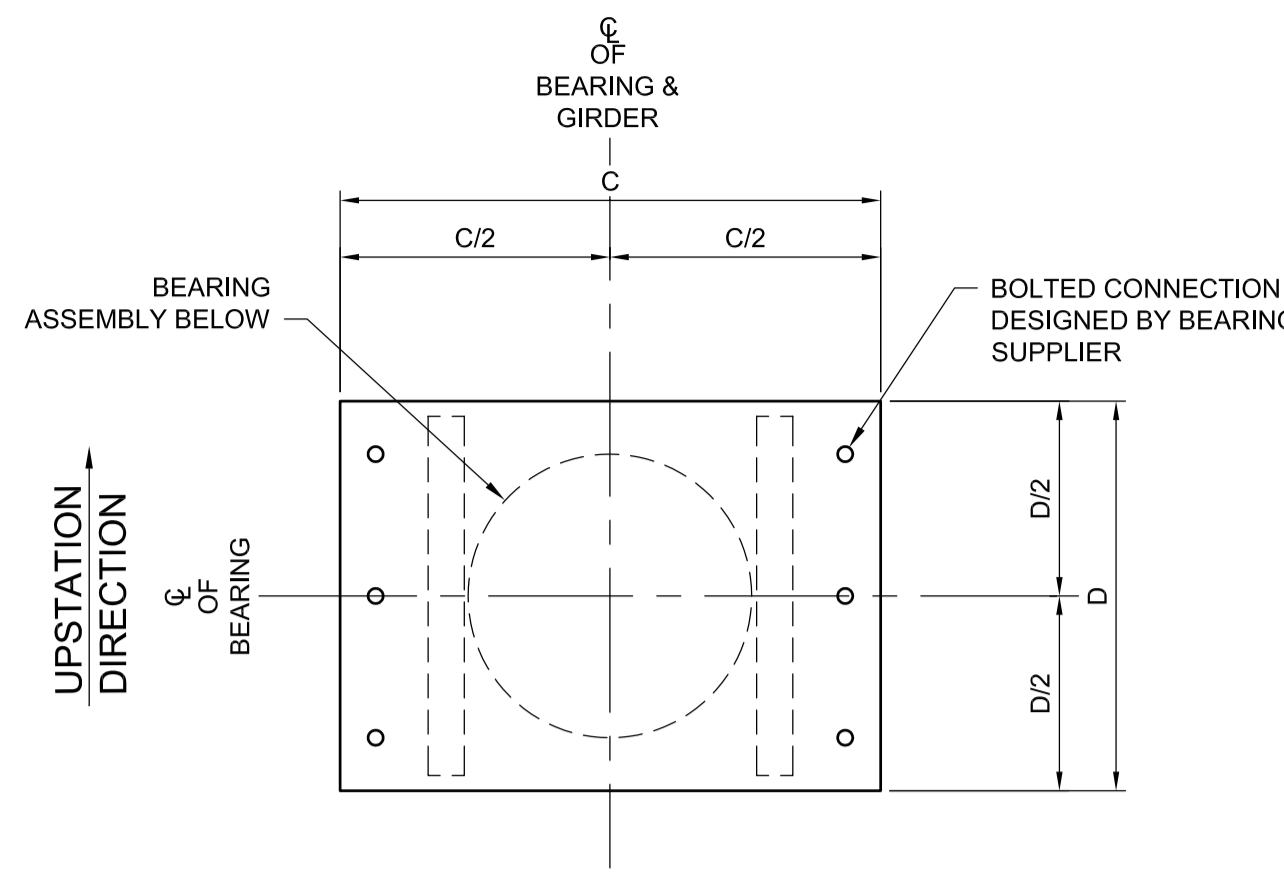
FRONT ELEVATION  
(LOOKING UPSTATION)



SIDE ELEVATION

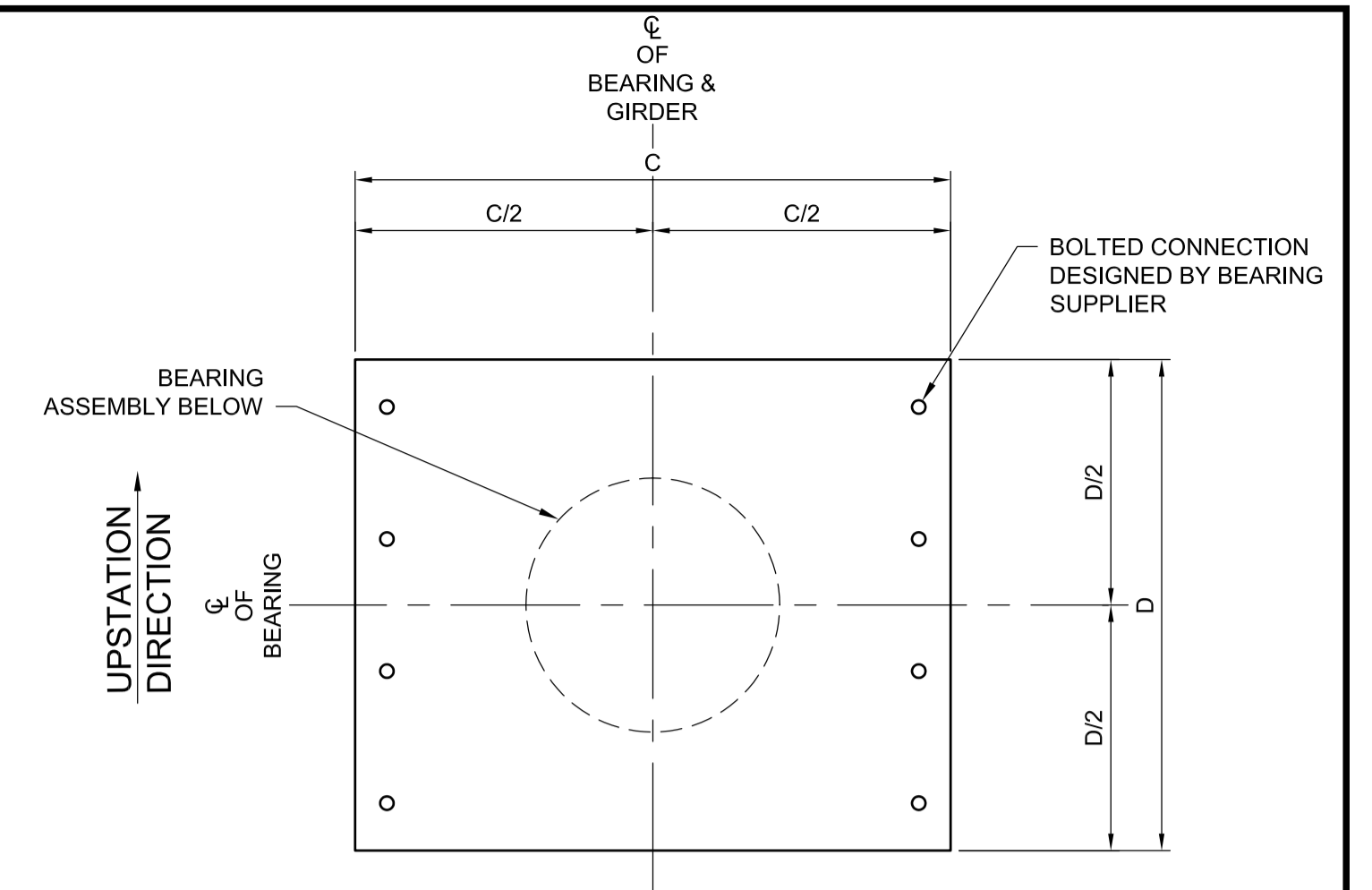
BEARING B1

1:20



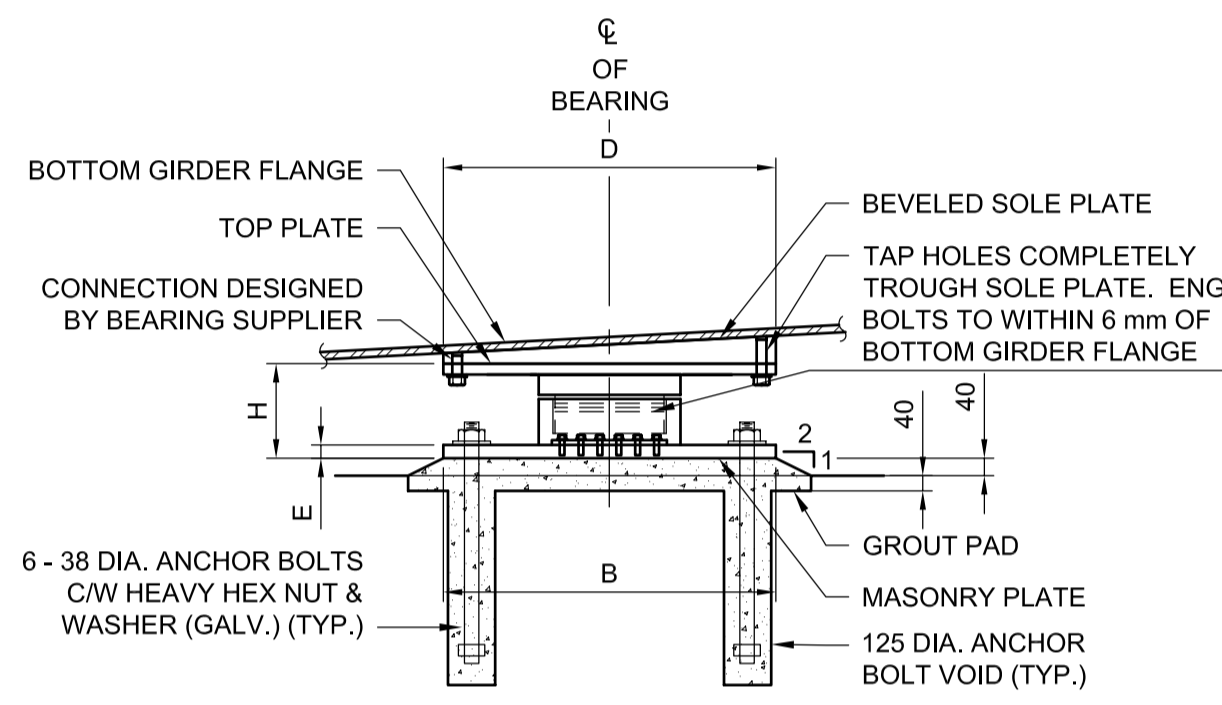
TOP PLATE FOR B1 & B3

1:10

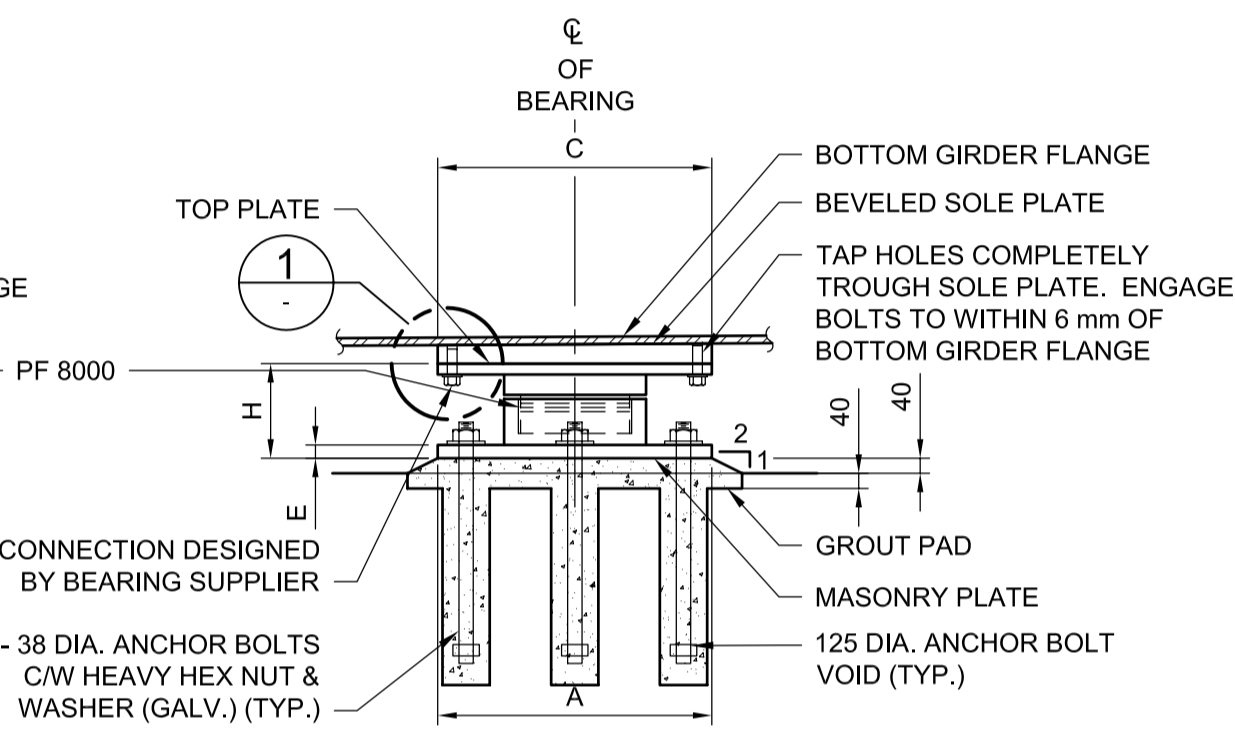


TOP PLATE FOR B2

1:10



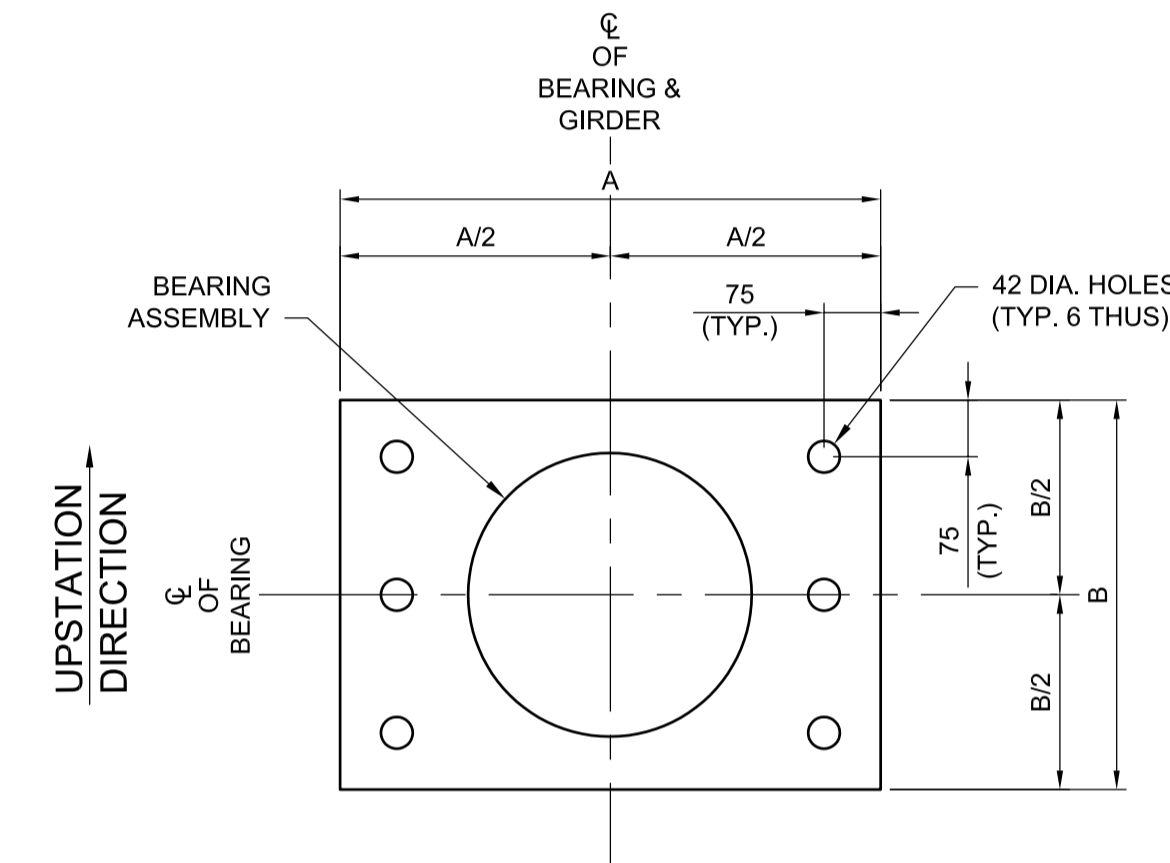
FRONT ELEVATION  
(LOOKING UPSTATION)



SIDE ELEVATION

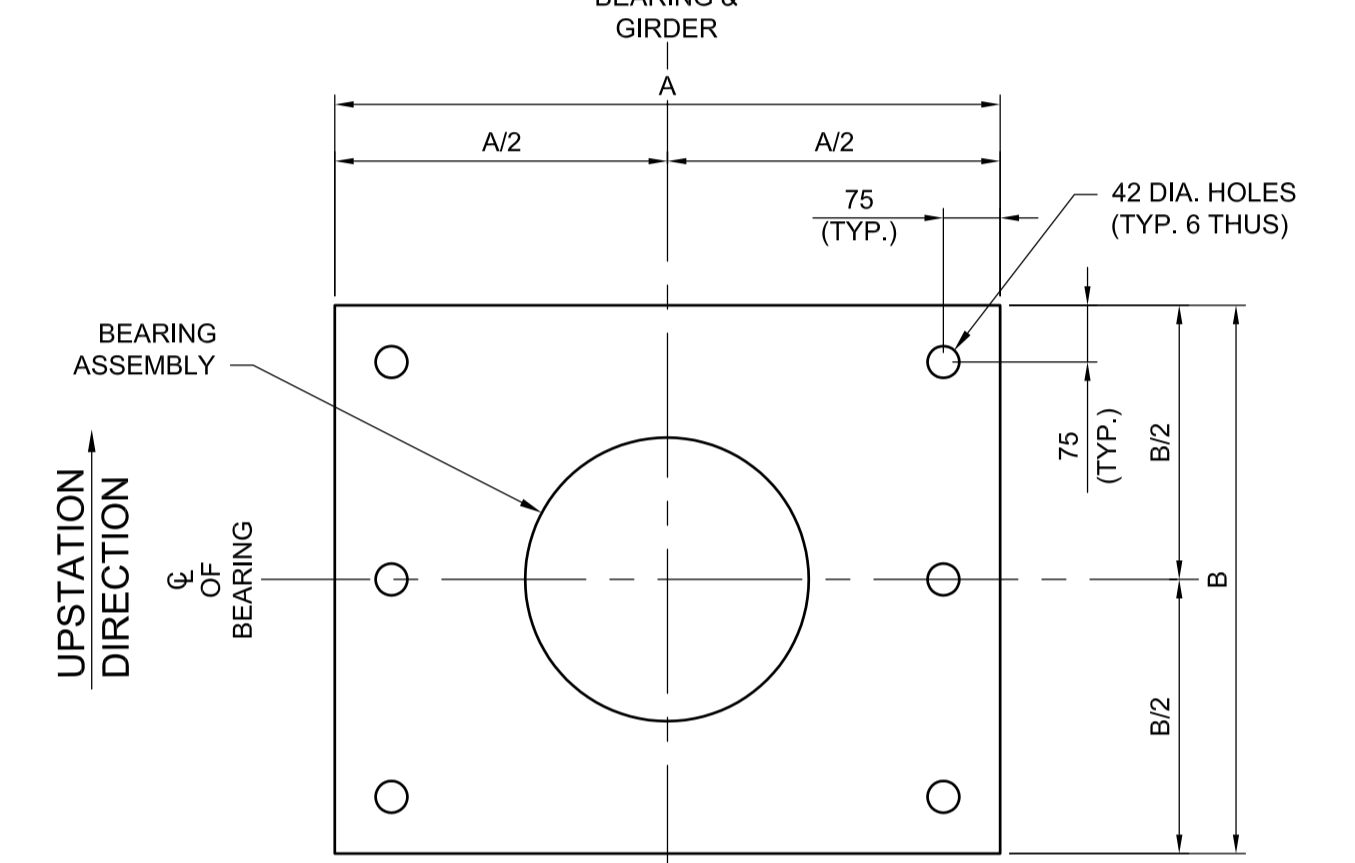
BEARING B2

1:20



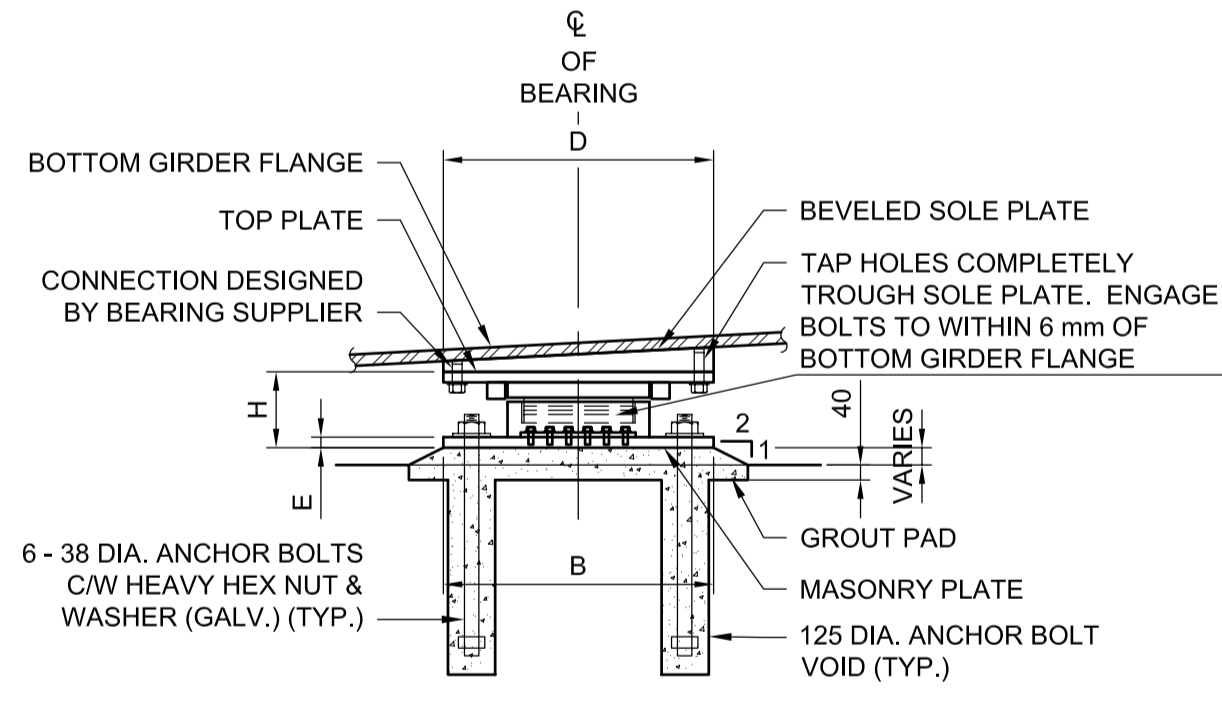
MASONRY PLATE FOR B1 & B3

1:10

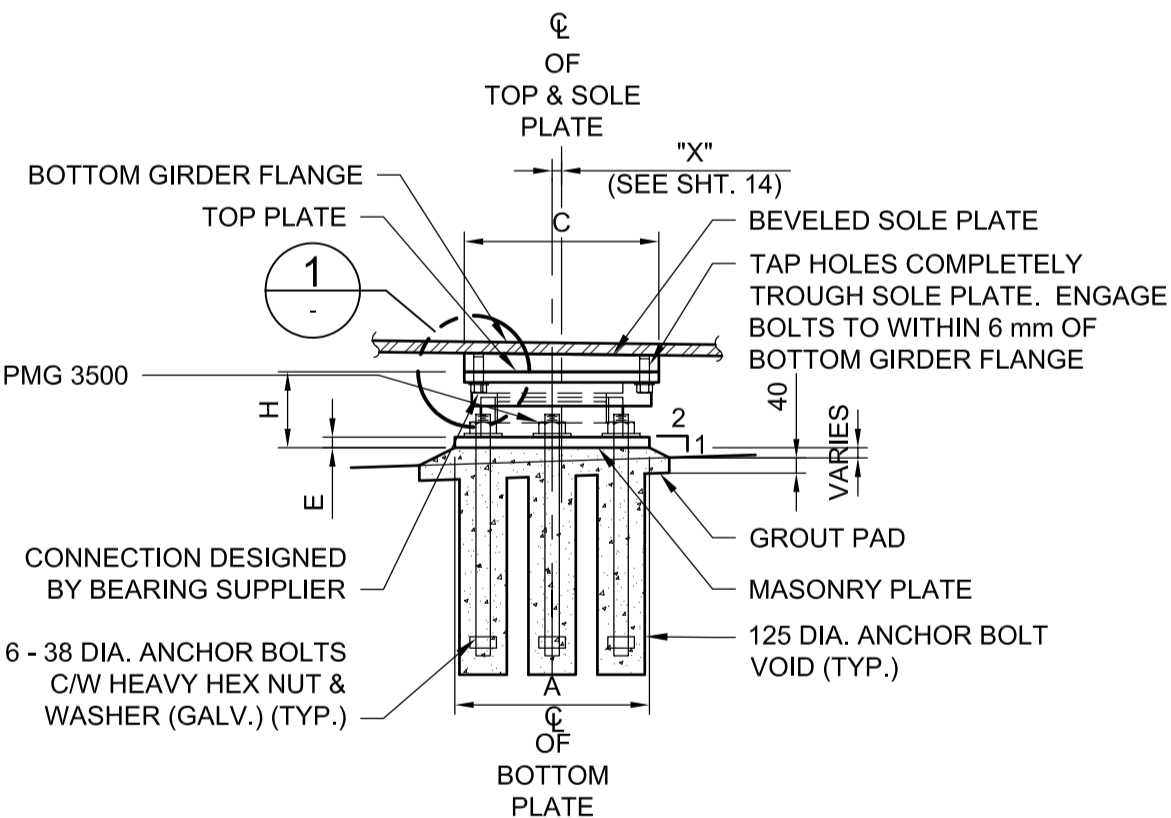


BOTTOM PLATE FOR B2

1:10



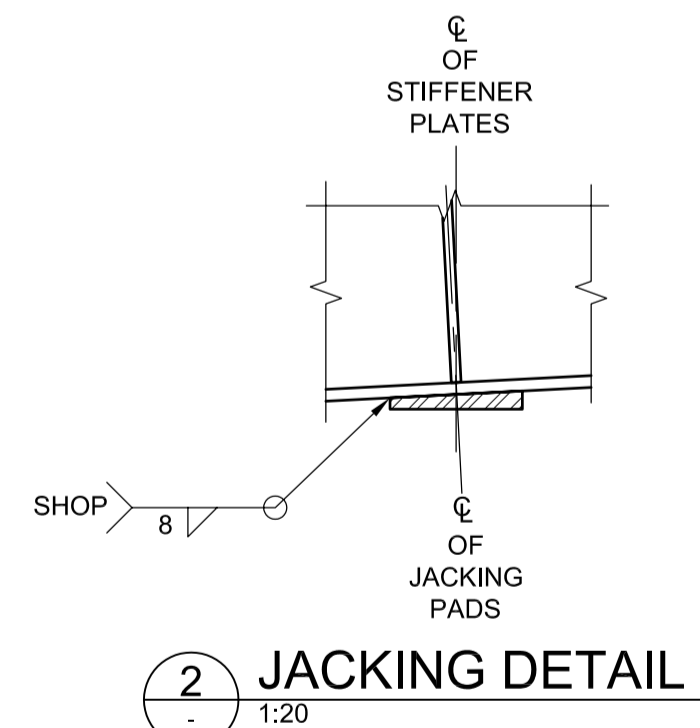
FRONT ELEVATION  
(LOOKING UPSTATION)



SIDE ELEVATION

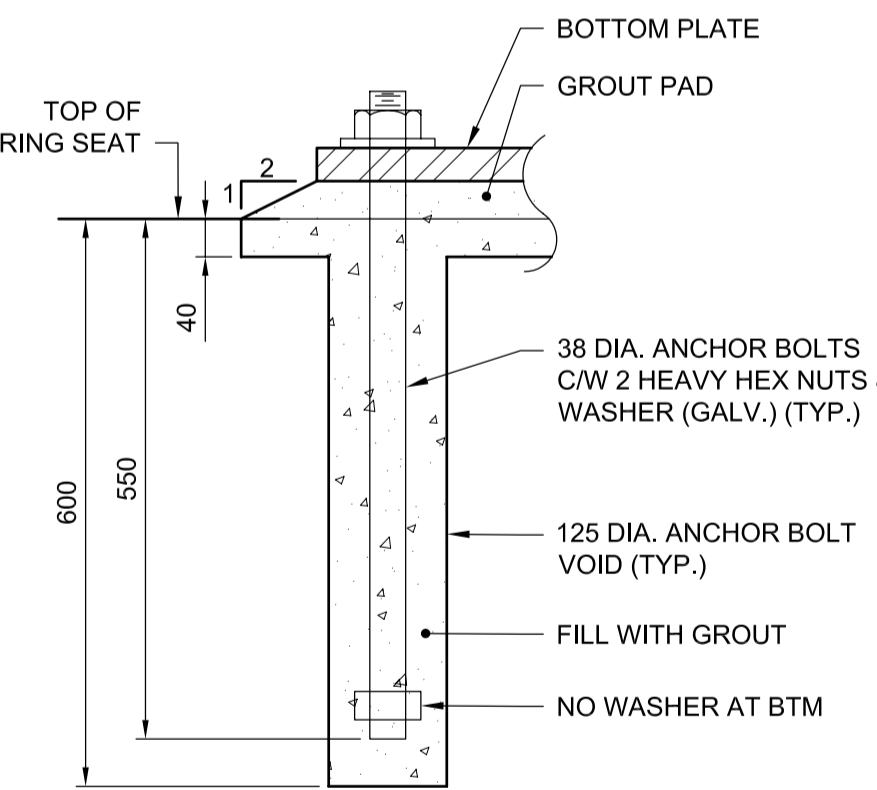
BEARING B3

1:20



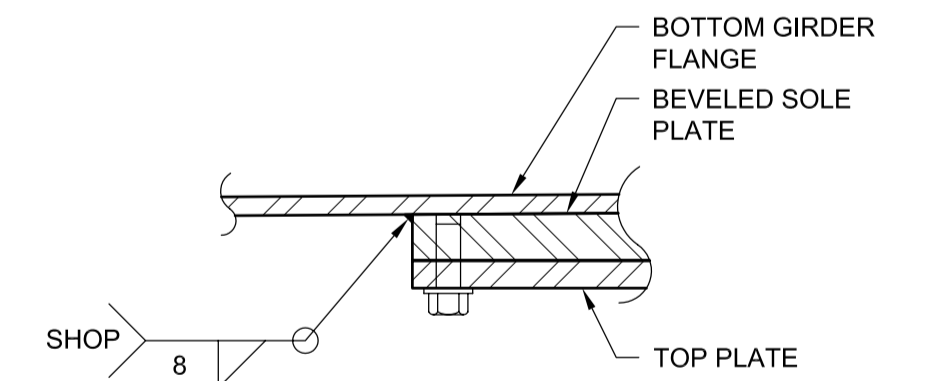
JACKING DETAIL

1:20



TYPICAL ANCHOR DETAIL

NTS



DETAIL 1

NTS

NOTES:

FOR LOCATIONS OF JACKING PADS SEE SHEETS 21 & 22.

NOTES:

- ALL DIMENSIONS ARE IN MILLIMETERS UNLESS NOTED OTHERWISE.
- SEE SHEET 14 FOR BEARING NOTES.

G:\CAD\126606\Contract\contract\_2\Current\Struct\_Bearing\_Details\_2\_of\_2.dwg

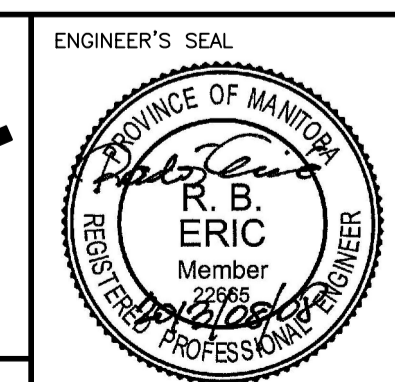


UNDERGROUND STRUCTURES		B.M. ELEV.	DESIGNED BY RE
SUPV. U/G STRUCTURES COMMITTEE	DATE		DRAWN BY TLK
			CHECKED BY SSR
			APPROVED BY MBL
			HOR. SCALE AS SHOWN
			VERTICAL AS SHOWN
0	ISSUED FOR TENDER	13/08/08	DATE 2013/08/01
	NO. REVISIONS	DATE	BY

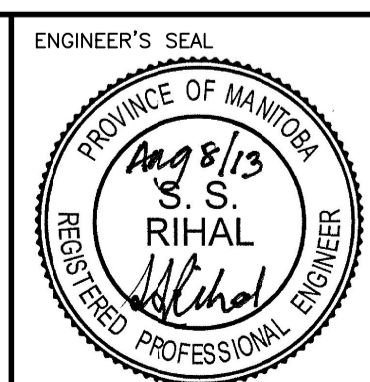
NOTE:  
LOCATION OF UNDERGROUND STRUCTURES AS SHOWN ARE BASED ON THE BEST INFORMATION AVAILABLE BUT NO GUARANTEE IS GIVEN THAT ALL EXISTING UTILITIES ARE SHOWN OR THAT THE GIVEN LOCATIONS ARE EXACT. CONFIRMATION OF EXISTENCE AND EXACT LOCATION OF ALL SERVICES MUST BE OBTAINED FROM THE INDIVIDUAL UTILITIES BEFORE PROCEEDING WITH CONSTRUCTION.



RELEASED FOR CONSTRUCTION



CONSULTANT PROJECT NUMBER 12-6606



**THE CITY OF WINNIPEG**  
PUBLIC WORKS DEPARTMENT

Waverley West Arterial Roads Project (WWARP) Part 3 - Contract 2  
Route 90 to Route 165, Overpass (Kenaston Blvd.) and Associated Works

CITY DRAWING NUMBER B242-13-15  
SHEET 15 OF 128  
CONSULTANT DRAWING NUMBER

BEARING DETAILS 2 OF 2