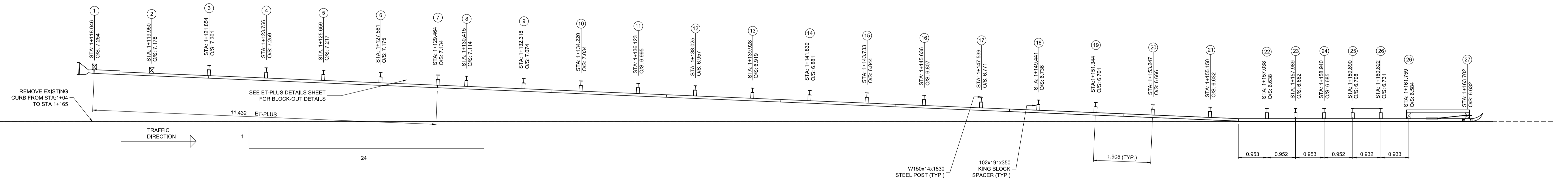
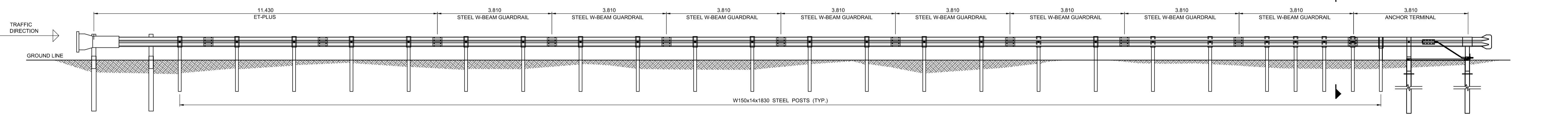


SITE PLAN
1:200

KEY PLAN



PLAN - MIDWEST GUARD RAIL SYSTEM
1:50



ELEVATION LOOKING EAST - MIDWEST GUARD RAIL SYSTEM
1:50

WARNING

IF POWER EQUIPMENT OR EXPLOSIVES ARE TO BE USED FOR EXCAVATION ON THIS PROJECT THE CONTRACTOR MUST:

- NOTIFY THE GAS COMPANY OF THE PROPOSED LOCATION OF EXCAVATION.
- TAKE PRECAUTION TO AVOID DAMAGE TO GAS COMPANY INSTALLATIONS SEE PROVINCIAL REGULATION 21072 FOR DETAILS.
- OBTAIN EXCAVATION PERMITS PRIOR TO CONSTRUCTION.
- A MINIMUM VERTICAL SEPARATION OF 300 mm FROM GAS MAINS AND 100 mm FROM GAS SERVICE MUST BE MAINTAINED BETWEEN ANY MANITOBA HYDRO FACILITY AND ANY NEW INSTALLATIONS.
- A MINIMUM 900 mm OF COVER SHALL BE MAINTAINED IN ALL AREAS WHERE EQUIPMENT WILL BE CROSSING, TRAVELING OR COMPACTING OVER THE HIGH PRESSURE GAS MAINS.
- IF EQUIPMENT MUST CROSS, TRAVEL, OR COMPACT OVER THE GAS MAIN WITH LESS THAN THE MINIMUM DEPTH COVER, EARTH BRIDGING OR STEEL PLATES SHALL BE PLACED OVER THE MAIN AND EXTEND A MINIMUM OF 1.0 METRE ON EITHER SIDE AT EACH CROSSING LOCATION.

APEGM
Certificate of Authorization
Dillon Consulting Limited (MB)
No. 1789 Date: 2013/08/08

METRIC

WHOLE NUMBERS INDICATE MILLIMETRES
DECIMALIZED NUMBERS INDICATE METRES

150 WM	WATERMAIN	150 WM	M.T.S.	M.T.S.	150 mm W.M.	WATERMAIN	150 mm W.M.	UNDERGROUND STRUCTURES	B.M. 654008	N: 5515764.610	E: 633359.697	654210	N: 5514436.957	E: 630550.534	DESIGNED BY	MRD	DESIGN TEAM	ENGINEER'S SEAL	THE CITY OF WINNIPEG	WAVERLEY WEST ARTERIAL ROADS PROJECT (WWARP) PART 3 - CONTRACT 2	CITY DRAWING NUMBER	117 OF 128
+	HYDRANT VALVE	+			+	HYDRANT VALVE	+		ELEV. 232.463 m						MRD			PROVINCE OF MANITOBA M.R. DOUCET Member 22306 REGISTERED PROFESSIONAL ENGINEER	PUBLIC WORKS DEPARTMENT	ROUTE 90 TO ROUTE 165 OVERPASS (KENASTON BLVD.) AND ASSOCIATED WORKS	B242-13-117	
300 LDS	LAND DRAINAGE SEWER	300 LDS			300 mm L.D.S.	LAND DRAINAGE SEWER	300 mm L.D.S.								DBW					AND ASSOCIATED WORKS		
250 WWS	WASTE WATER SEWER	250 WWS			250 mm W.W.S.	WASTE WATER SEWER	250 mm W.W.S.								DPK							
○	MANHOLE	●			○	MANHOLE	●															
□	CATCH BASIN	■			□	CATCH BASIN	■															
⊙	TEST HOLES	⊙			⊙	TEST HOLES	⊙															
—	JUNCTIONS	—			—	JUNCTIONS	—															
—	CULVERT	—			—	CULVERT	—															
100 GAS	GAS	100 GAS			100 GAS	GAS	100 GAS															
EXISTING	LEGEND-PLAN	PROPOSED	EXISTING	LEGEND-PLAN	PROPOSED	EXISTING	LEGEND-PROFILE	PROPOSED														

G:\CAD\126606\Contract_2\Civil\Guardrails for OHSS.dwg