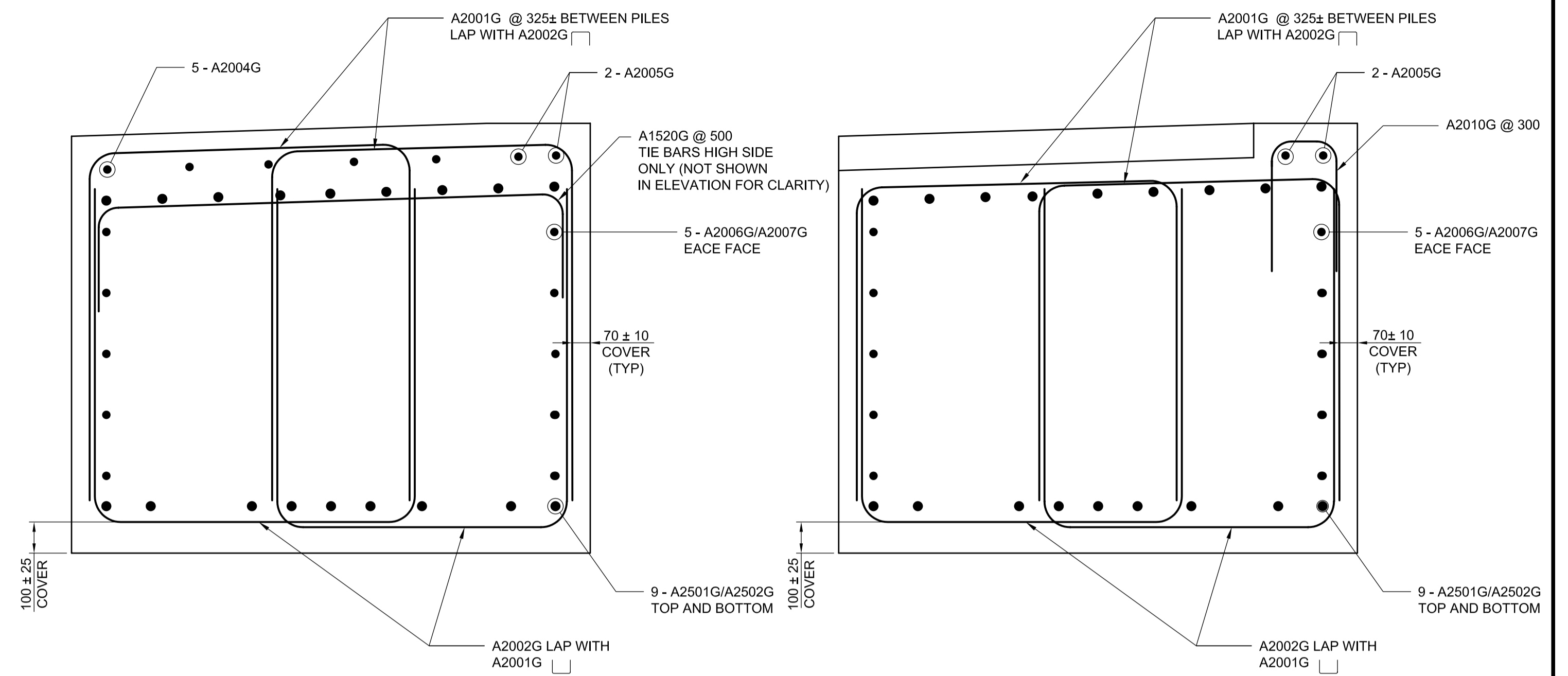


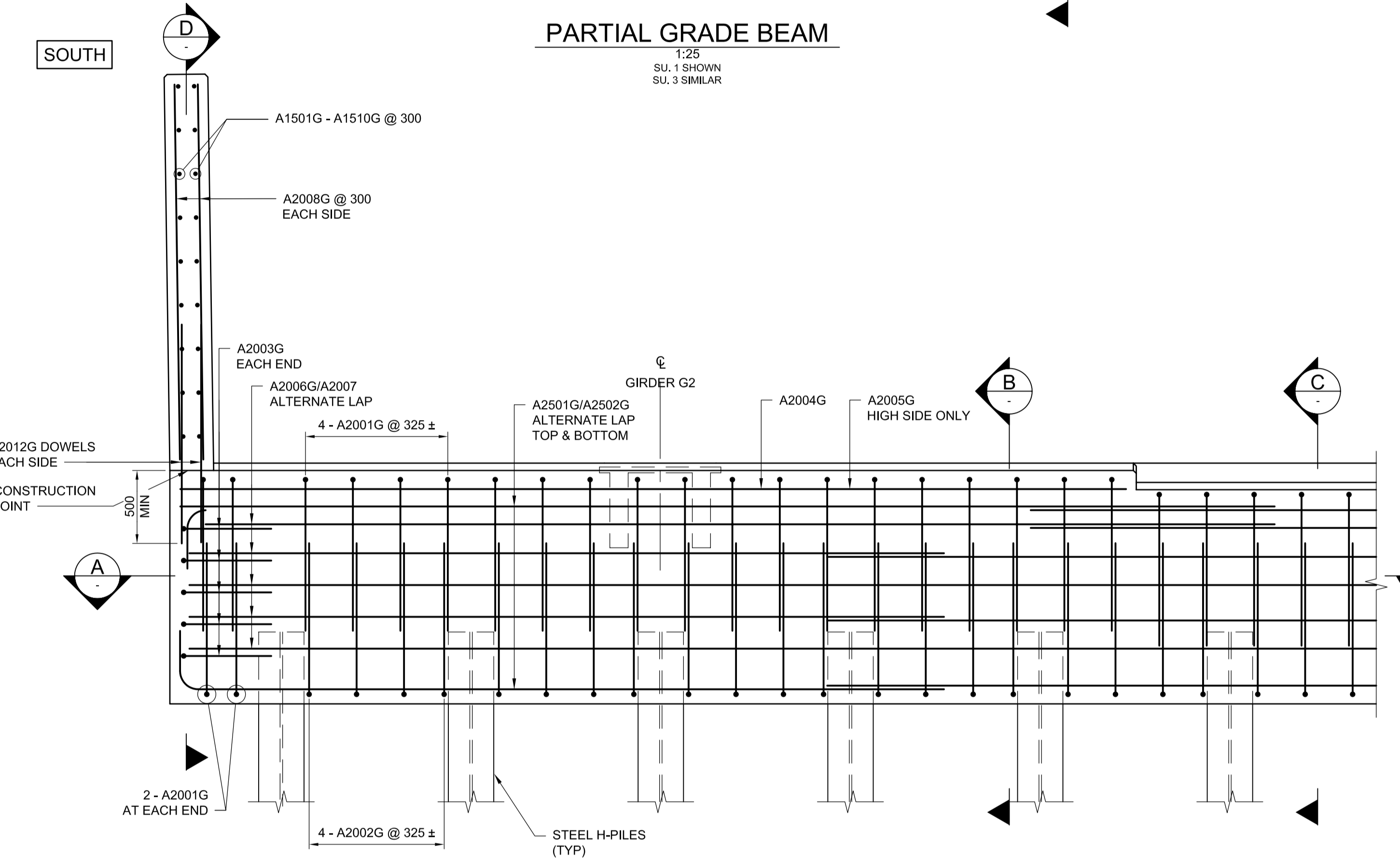
**PARTIAL GRADE BEAM**

1:25  
SU. 1 SHOWN  
SU. 3 SIMILAR



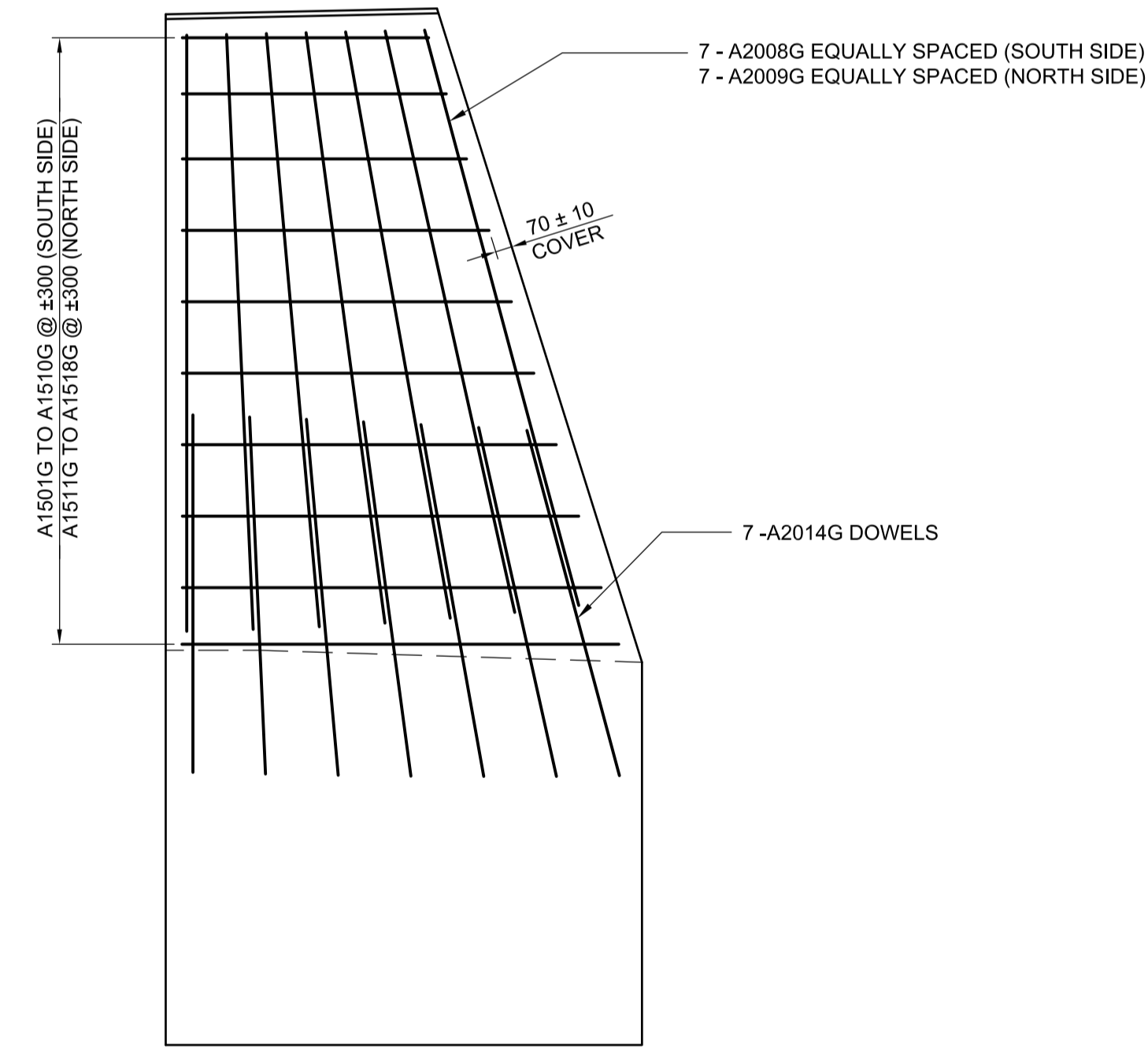
**B SECTION**  
1:15

**C SECTION**  
1:15

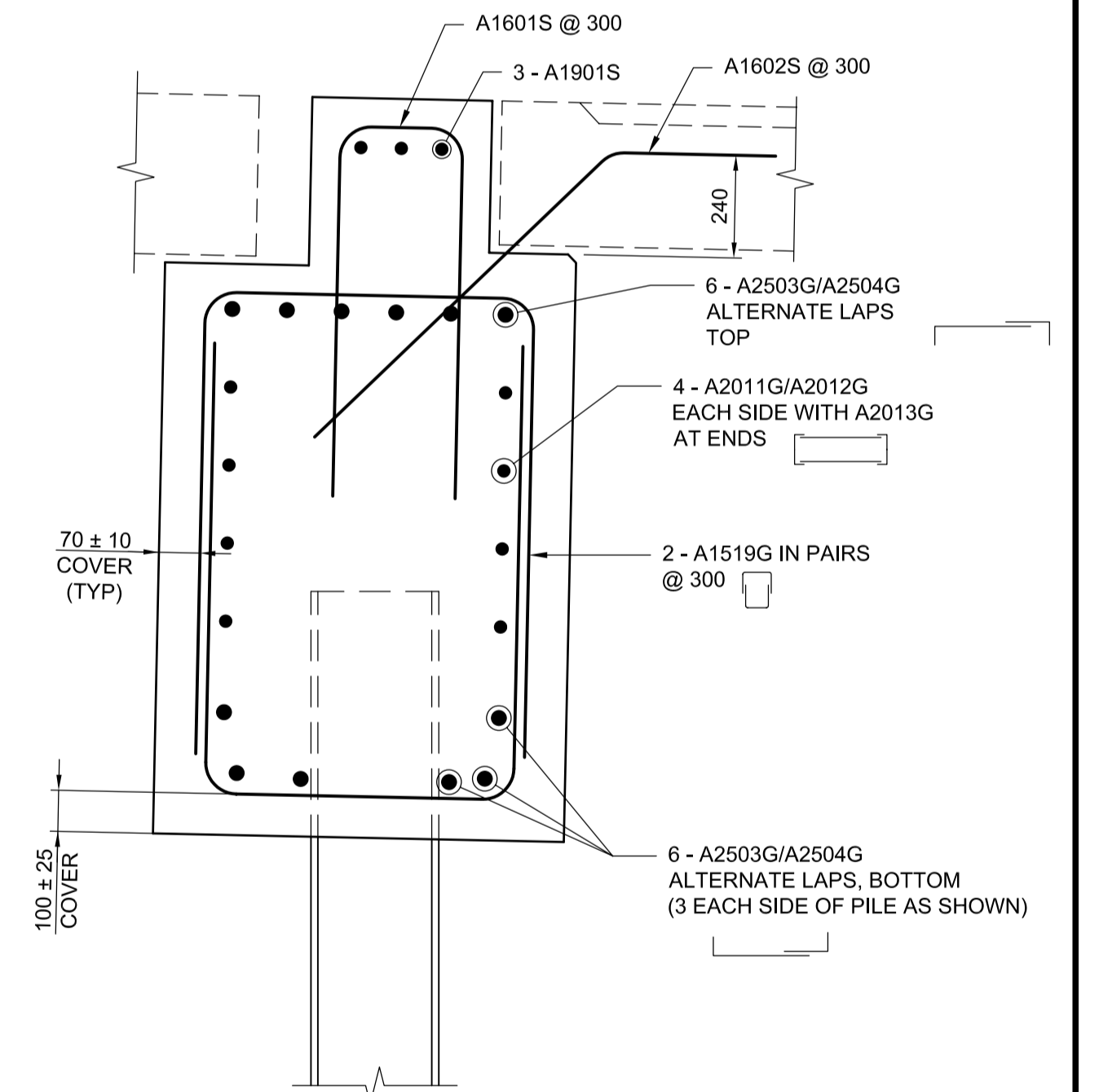


**PARTIAL ELEVATION**

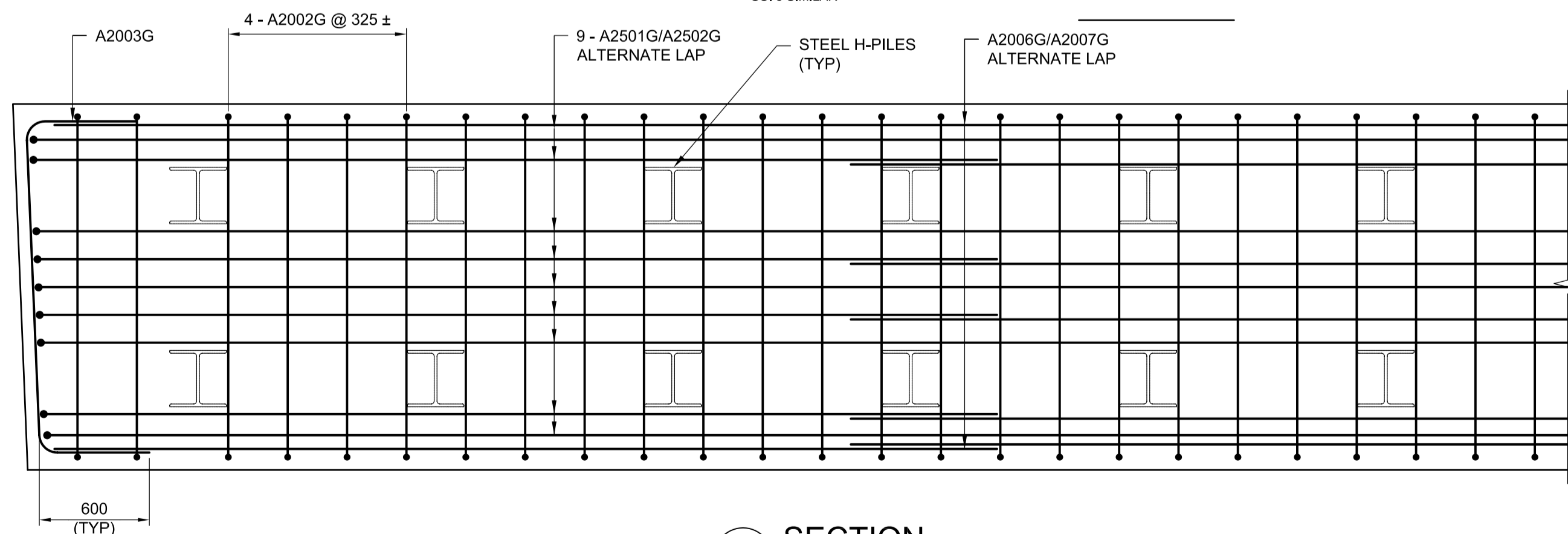
1:25  
SU. 1 SHOWN  
SU. 3 SIMILAR



**D SECTION**  
1:20  
SU. 1 SOUTH END SHOWN  
OTHER LOCATIONS SIMILAR



**E SECTION**  
1:15  
SU. 1 SHOWN  
SU. 3 SIMILAR



**A SECTION**  
1:20

- NOTES:**
- ANY CONTACT AREAS BETWEEN STEEL PILES AND GALVANIZED REINFORCEMENT SHALL BE ISOLATED BY MEANS OF EITHER AN APPROVED EPOXY PAINT OR A PLASTIC/CONCRETE SEPARATOR PRIOR TO CLOSING THE FORMWORK.
  - REINFORCEMENT SHALL BE ADJUSTED AROUND PILES TO PROVIDE A CLEAR SPACING OF 50 mm.



UNDERGROUND STRUCTURES		B.M. ELEV.	DESIGNED BY	KGW
SUPV. U/G STRUCTURES COMMITTEE	DATE		DRAWN BY	RCB
			CHECKED BY	RE
			APPROVED BY	MBL
			HOR. SCALE	AS SHOWN
			VERTICAL	AS SHOWN
0	ISSUED FOR TENDER	13/08/08	RELEASED FOR CONSTRUCTION	
NO.	REVISIONS	DATE	DATE	2013/08/01

CONSULTANT PROJECT NUMBER <b>12-6606</b>		CONSULTANT DRAWING NUMBER <b>B242-13-11</b>	

		CITY DRAWING NUMBER <b>B242-13-11</b>
WAYERLEY WEST ARTERIAL ROADS PROJECT (WWARP) PART 3 - CONTRACT 2 ROUTE 90 TO ROUTE 165, OVERPASS (KENASTON BLVD.) AND ASSOCIATED WORKS		SHEET <b>11</b> OF <b>128</b>
ABUTMENT SU. 1 AND SU. 3 REINFORCING DETAILS		CONSULTANT DRAWING NUMBER

THE CITY OF WINNIPEG PUBLIC WORKS DEPARTMENT		CITY DRAWING NUMBER <b>B242-13-11</b>
WAYERLEY WEST ARTERIAL ROADS PROJECT (WWARP) PART 3 - CONTRACT 2 ROUTE 90 TO ROUTE 165, OVERPASS (KENASTON BLVD.) AND ASSOCIATED WORKS		SHEET <b>11</b> OF <b>128</b>
ABUTMENT SU. 1 AND SU. 3 REINFORCING DETAILS		CONSULTANT DRAWING NUMBER