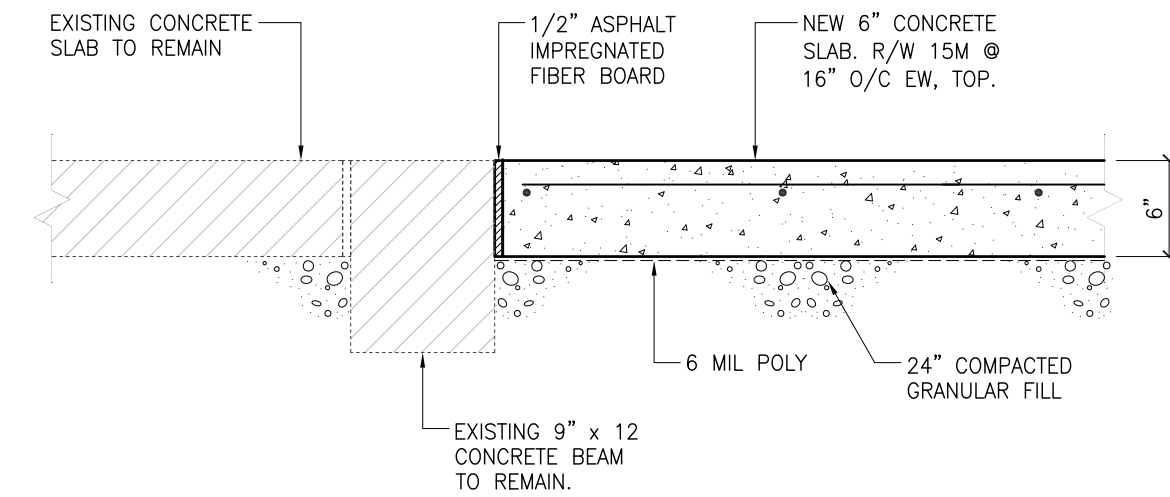
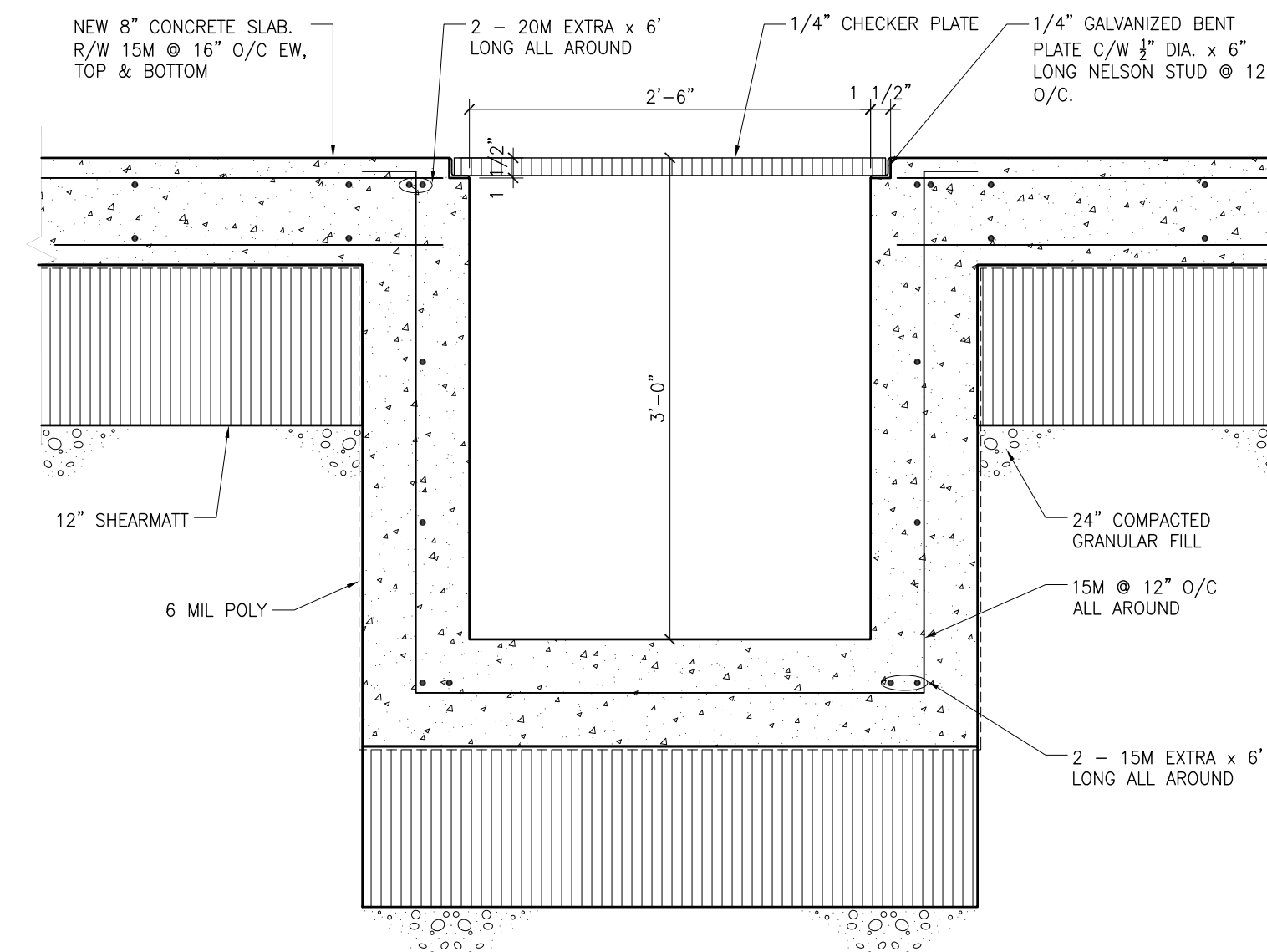


1 SECTION @ PILE
S500 1" = 1" - 0"



2 SECTION @ EXISTING BEAM
S500 1" = 1" - 0"

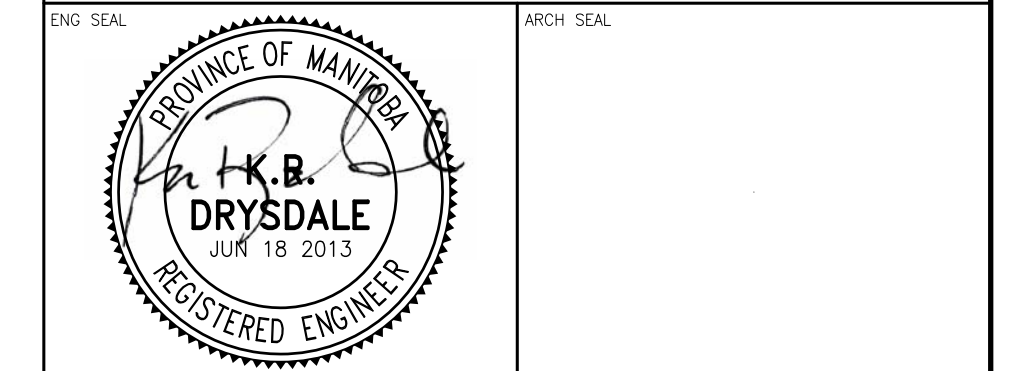


3 SECTION @ SUMP PIT
S500 1" = 1" - 0"



7				
6				
5				
4				
3				
2	ISSUED FOR TENDER	VCV	KRD	JUN 18 2013
1	ISSUED FOR 100% CLIENT REVIEW	VCV	KRD	MAY 16 2013
0	ISSUED FOR CLIENT REVIEW	VCV	KRD	APR 26 2013
REV	DESCRIPTION	DWN	APP	REV DATE

Accutech Engineering Inc.
Tomorrow's Technology Today
 605-287 Broadway, Winnipeg, Manitoba Canada R3C 0R9
 Phone 204.944.1555 Fax 204.944.1444
 www.accutech.ca



PROJECT
CITY OF WINNIPEG
SIR JOHN FRANKLIN CC BASEMENT STRUCTURAL REPAIRS

SHEET TITLE
STRUCTURAL DETAILS
 BID OPPORTUNITY No. 443-2013

DRAWN BY VCV	CHECKED BY DBR	DATE JUN 18 2013	SHEET NO. S500
DESIGNED BY KRD	CHECKED BY KRD	SCALE AS NOTED	REVISION NO. 2