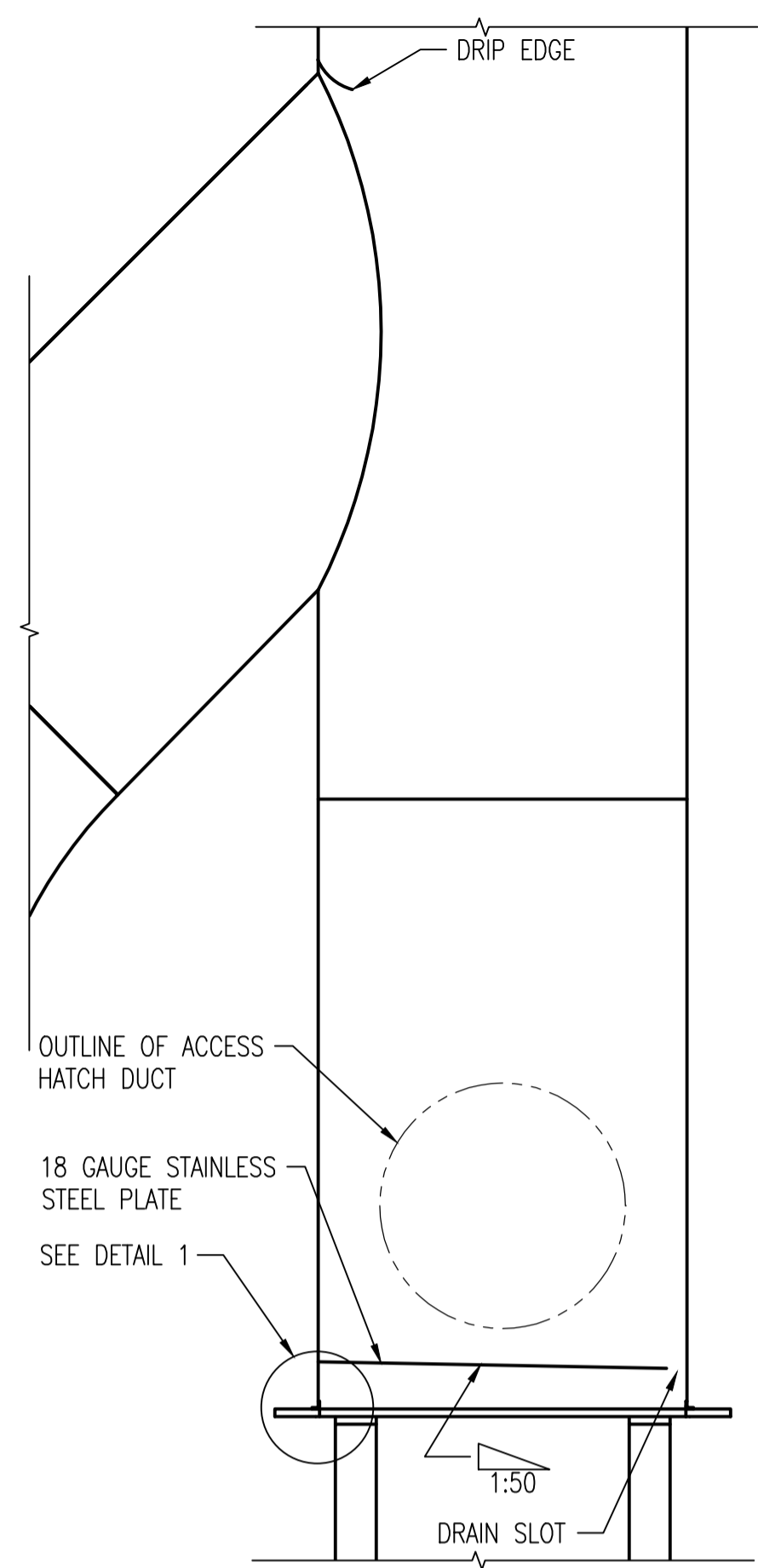
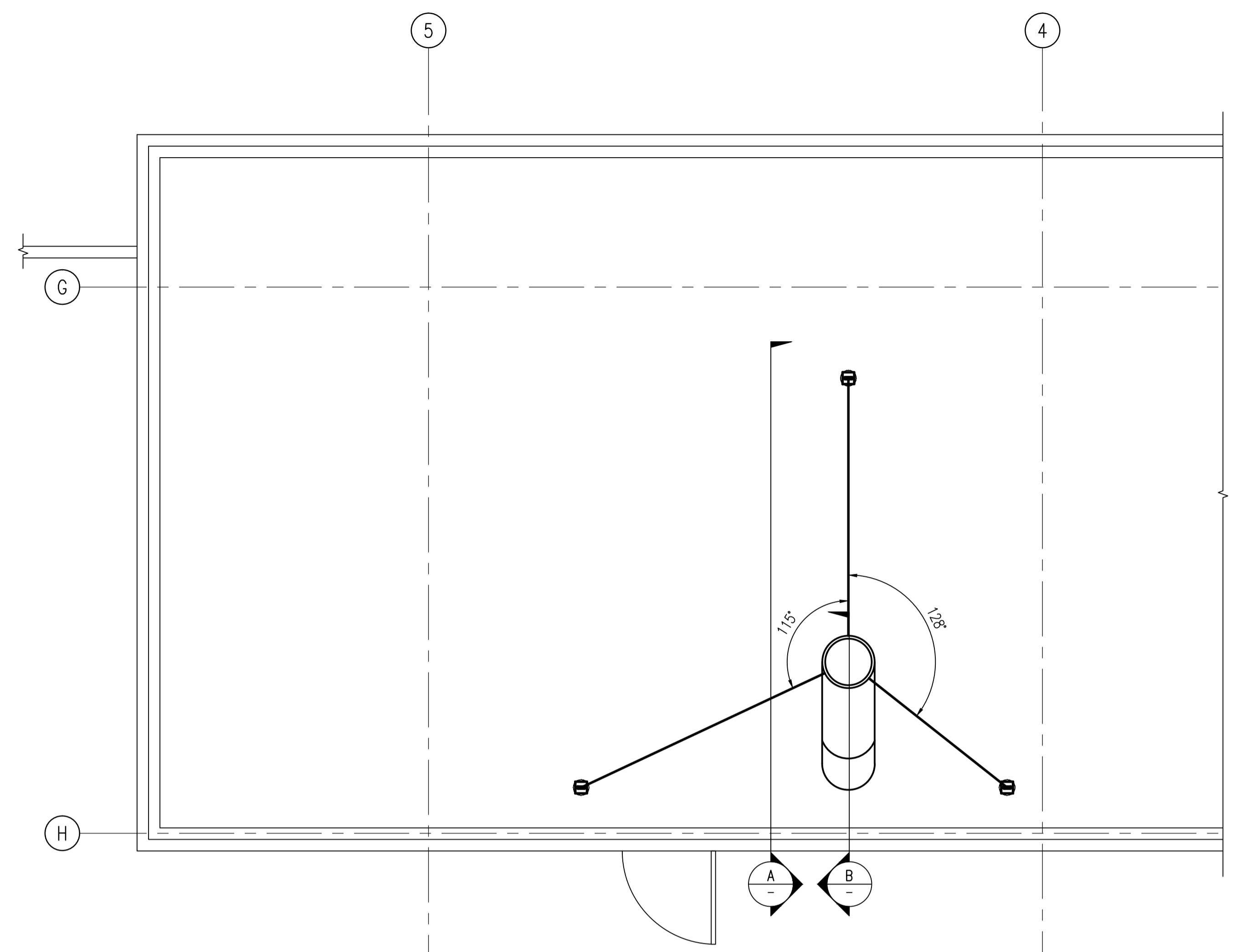


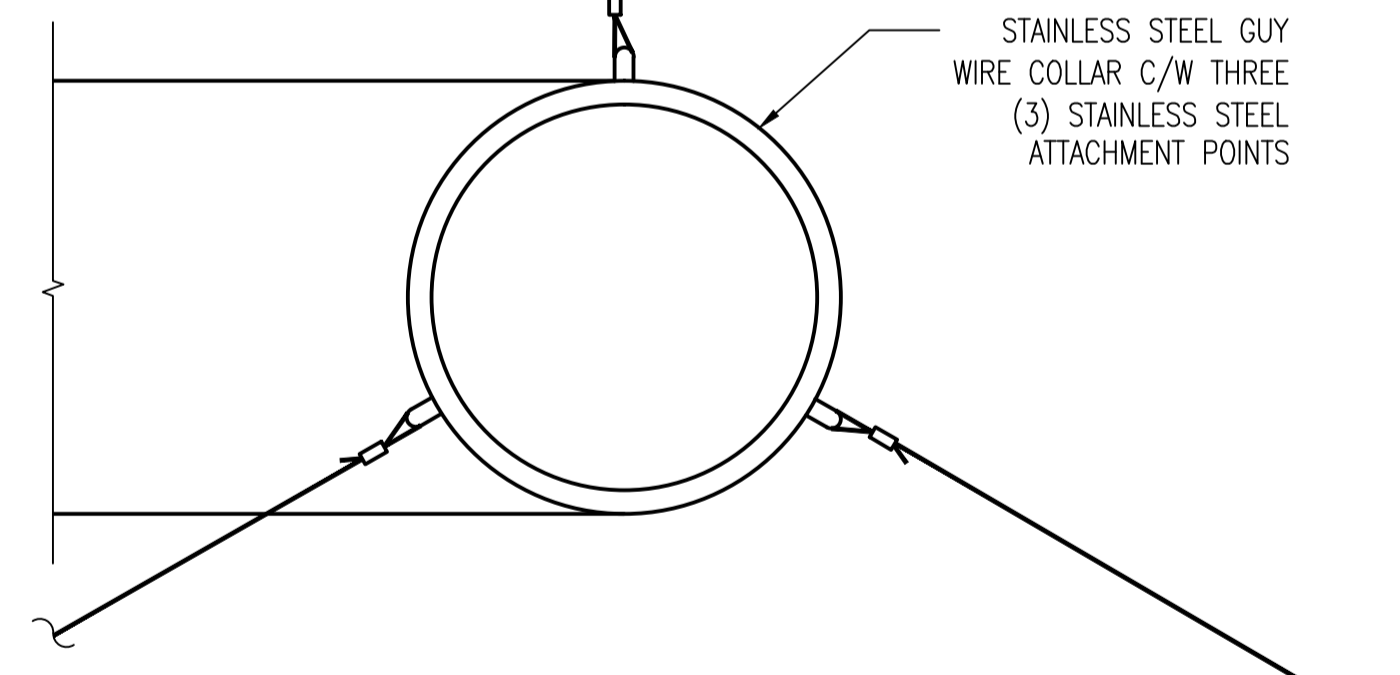
SECTION A
SCALE: 1 : 30



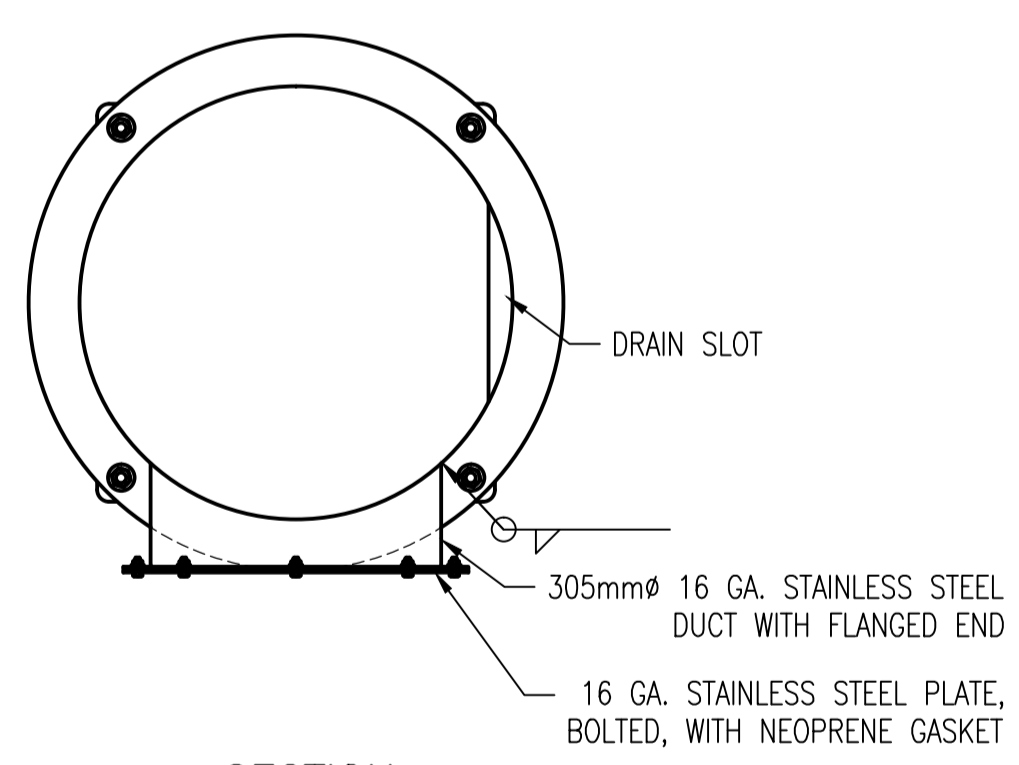
SECTION B
SCALE: 1 : 8



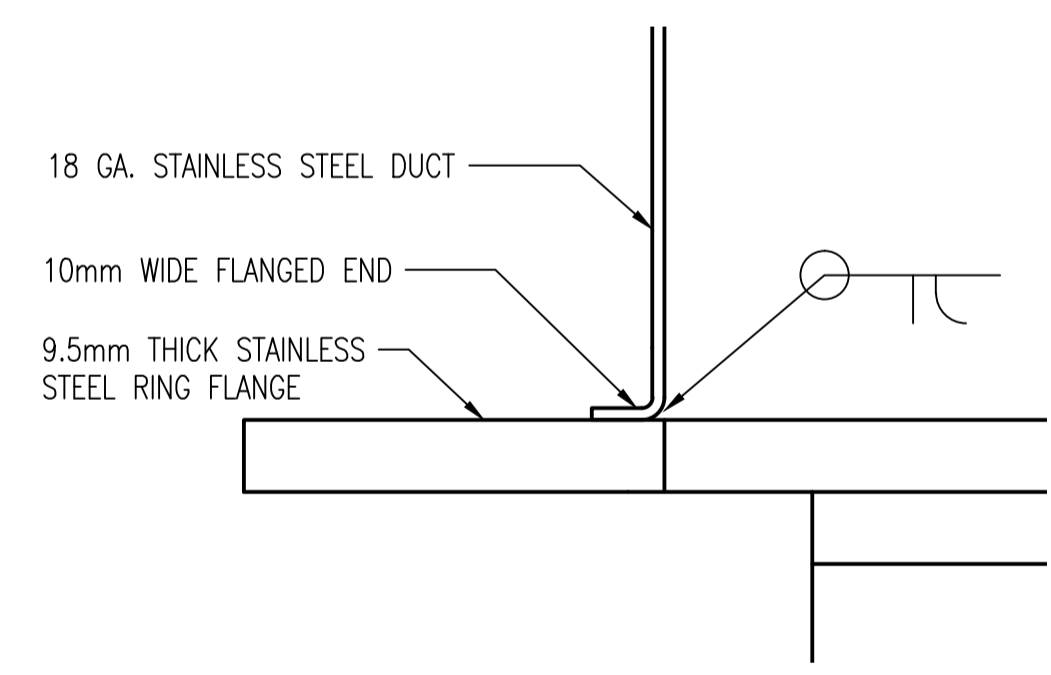
PENTHOUSE PARTIAL ROOF PLAN
SCALE: 1 : 30



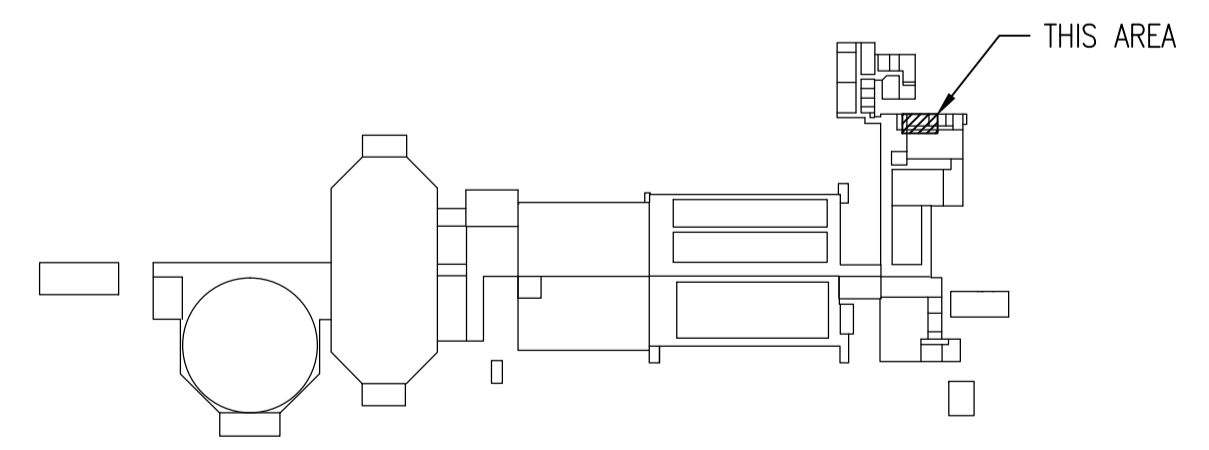
SECTION C
SCALE: 1 : 8



SECTION D
SCALE: 1 : 4



DETAIL 1
SCALE: 1 : 1



KEYPLAN
SCALE: NTS

CONSTRUCTION NOTES

- REMOVE CHECKER PLATE COLLAR AND RAIN CAP ON EXISTING STACK.
- SUPPLY AND INSTALL ROOF AND GUY WIRE SUPPORTS AS PER DRAWING 1-0102G-S0020 SHEET 1 AND 2.
- SUPPLY AND INSTALL EXHAUST STACK AS SHOWN:
 - 457 MM DIAMETER, 18 GAUGE, 316 STAINLESS STEEL DUCT
 - ALL WELDED CONSTRUCTION
 - THREE (3) GUY WIRE ATTACHMENTS POINTS, ORIENTED AS SHOWN.
 - CONTINUOUS, INTERIOR DRIP EDGE OVER COMPLETE DIAMETER OF 45° ANGLE INLET
 - 18 GAUGE STAINLESS STEEL, 1:50 SLOPED DRAIN PAN, 13 MM DRAIN HOLE
 - 457 MM DIA. X 406 MM DIA. X 914 MM STAINLESS STEEL VELOCITY CONE
 - 457 MM ID, 9.5 MM, STAINLESS STEEL FLANGE, 4 - 13 MM BOLT HOLES
 - 305 MM DIA., 16 GAUGE STAINLESS STEEL ACCESS HATCH C/W 16 GAUGE STAINLESS STEEL COVER, NEOPRENE GASKET, AND STAINLESS NUTS AND BOLTS.
- SUPPLY AND INSTALL GUY WIRES AS SHOWN.

LAST SAVE: 2013/03/28 - 10:04am
 PATH: M:\112577\0116\4EN\45MEC\LD - General DWG\1-0102G-M0015-001-01.dwg

1-0102G-S0020-001	G686-EF ROOF STACK SUPPORTS
1-0102G-S0020-002	G686-EF ROOF STACK SUPPORTS
DRAWING NUMBER	REFERENCE DRAWINGS



NO.	REVISIONS	DATE	DESIGN	CHECK
01	ISSUED FOR TENDER, BID OPP. 42-2013	2013/03/25	TRS	SN
00	ISSUED FOR TENDER, BID OPP. 545-2012	2012/11/23	TRS	SN

SNC-LAVALIN INC. 148 Nature Park Way Winnipeg, MB, Canada R3P 0X7 204-786-8080	
DESIGNED BY: T. SCHICK	CHECKED BY: S. NORSWORTHY
DRAWN BY: C. COOPER	APPROVED BY: C. REIMER
SCALE: AS NOTED	RELEASED FOR CONSTRUCTION BY: NEIL HARRINGTON
DATE: 2012/11/23	DATE: 2012/11/26
CONSULTANT NO.: 112577-0116-450D-0116	

ENGINEER'S SEAL
 ORIGINAL DRAWING
 SEALED BY:
 S. S. NORSWORTHY
 SNC-LAVALIN
 MEMBER #20725
 2012/11/23
 REV. 00

THE CITY OF WINNIPEG
 WATER AND WASTE DEPARTMENT

SOUTH END WATER POLLUTION CONTROL CENTRE
 VENTILATION & MISC. UPGRADES
 PLAN AND SECTIONS
 WET WELL EXHAUST STACK

CITY DRAWING NUMBER: 1-0102G-M0015
 SHEET: 001
 REV.: 01
 SIZE: A1