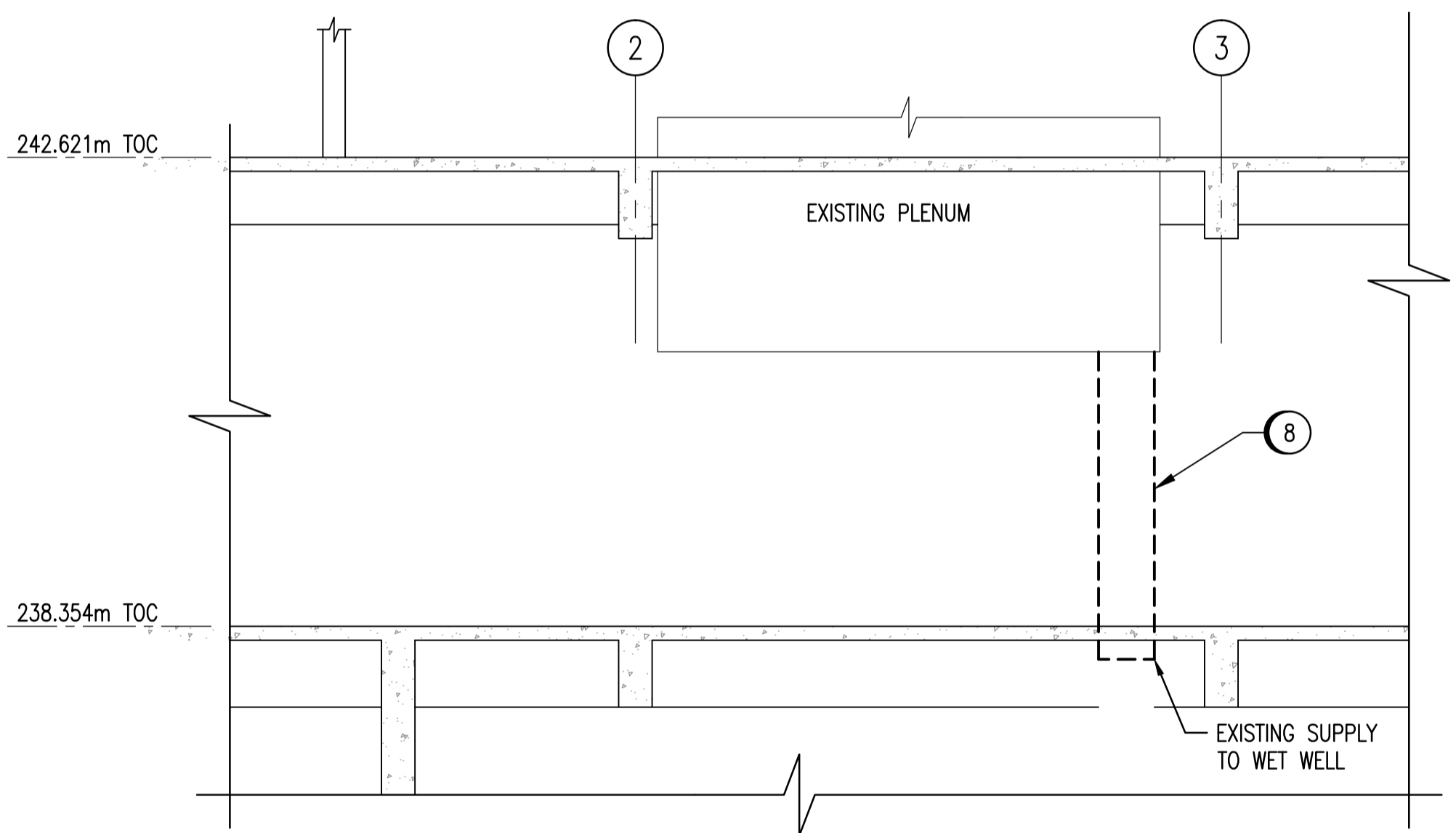
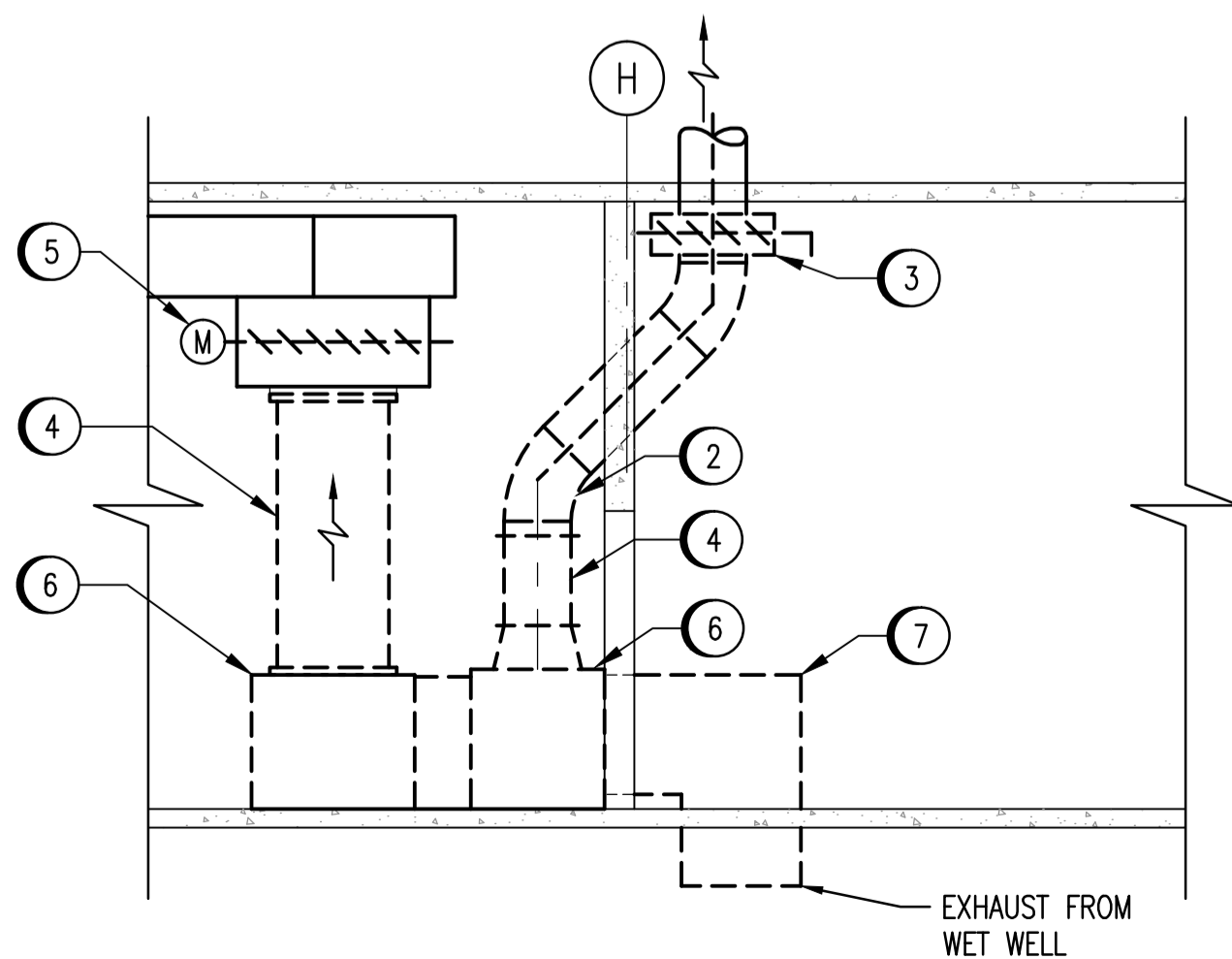


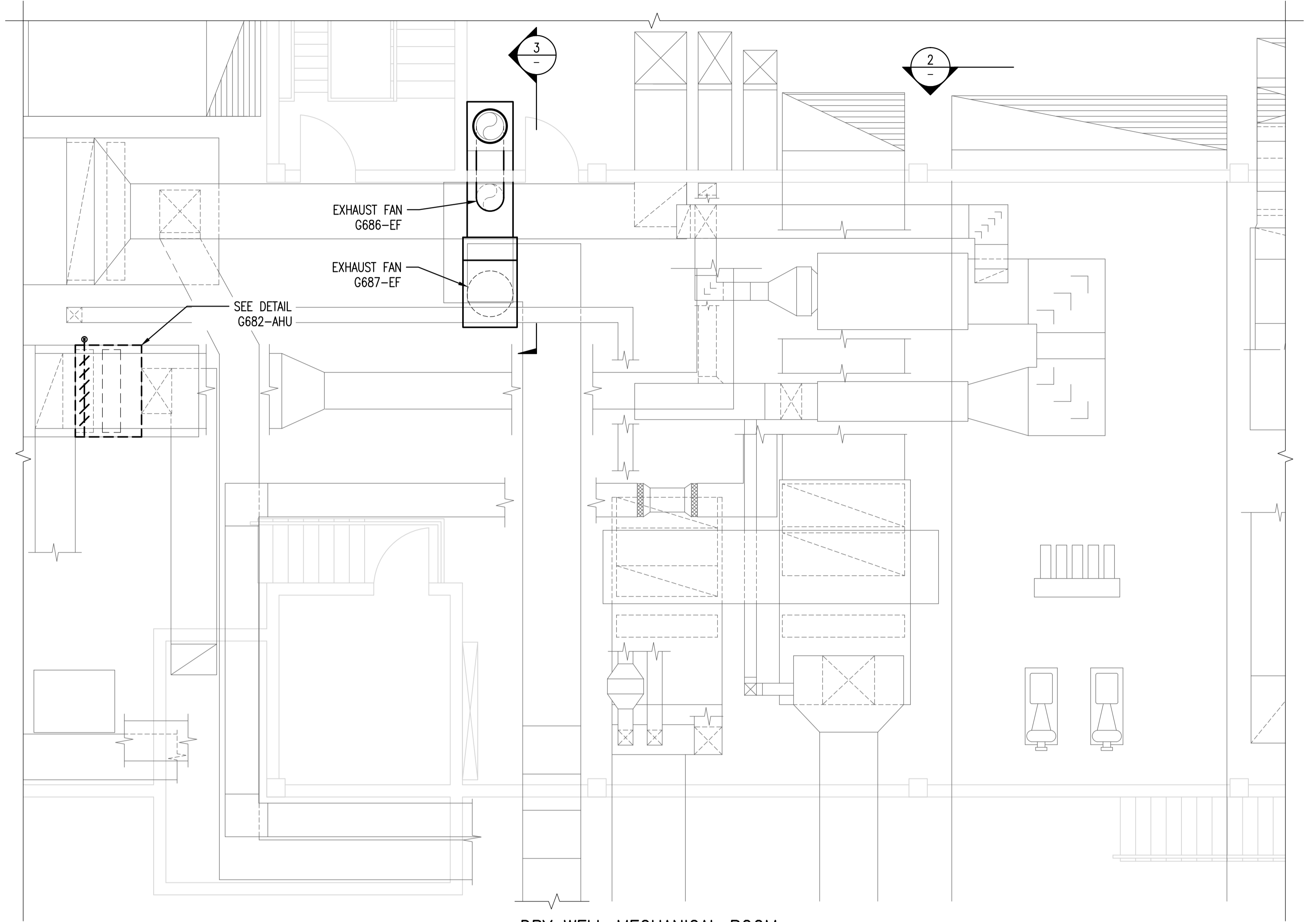
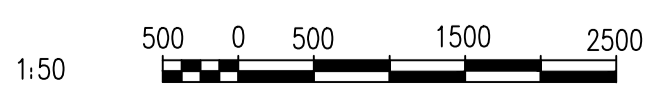
1 G682-AHU
SCALE: 1 : 16



2 SECTION
SCALE: 1 : 50

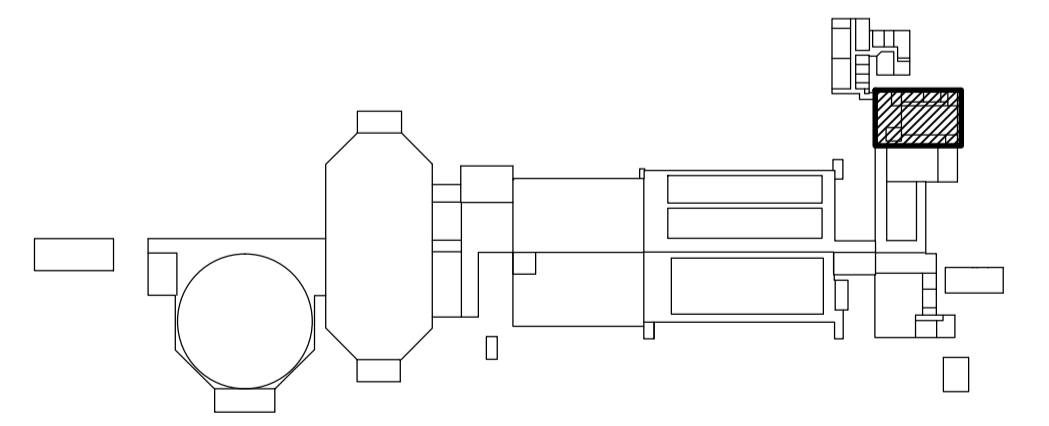


3 SECTION
SCALE: 1 : 50



DRY WELL MECHANICAL ROOM
SCALE: 1 : 50

REMOVAL NOTES	
1	REMOVE EXISTING FACE AND BYPASS DAMPER, PNEUMATIC ACTUATORS, HARDWARE, AND DUCTING. PREPARE AREA WHERE DAMPER WAS LOCATED FOR NEW HEATING COIL. EXISTING COOLING COIL, OUTSIDE AIR, RETURN AIR & RELIEF DAMPERS TO REMAIN.
2	REMOVE EXISTING EXHAUST DUCT UP TO DAMPER.
3	REMOVE EXISTING DAMPER.
4	REMOVE EXISTING EXHAUST FANS.
5	REMOVE EXISTING DAMPER AND ACTUATOR.
6	REMOVE FAN SUPPORTS.
7	REMOVE EXISTING EXHAUST DUCT AND HARDWARE INSIDE WET WELL.
8	REMOVE EXISTING SUPPLY DUCT AND HARDWARE INSIDE WET WELL.



KEYPLAN
SCALE: NTS



NO.	REVISIONS	DATE	DESIGN	CHECK
01	ISSUED FOR TENDER, BID OPP. 42-2013	2013/03/25	TRS	SN
00	ISSUED FOR TENDER, BID OPP. 545-2012	2012/09/10	TRS	SN

SNC-LAVALIN INC. 148 Nature Park Way Winnipeg, MB, Canada R3P 0X7 204-786-8080	
DESIGNED BY: T. SCHICK	CHECKED BY: S. NORSWORTHY
DRAWN BY: C. COOPER	APPROVED BY: C. REIMER
SCALE: AS NOTED	RELEASED FOR CONSTRUCTION BY: NEIL HARRINGTON DATE: 2012/10/10
CONSULTANT NO.: 112577-0116-450D-0114	

ENGINEER'S SEAL

ORIGINAL DRAWING
SEALED BY:
S. S. NORSWORTHY
SNC-LAVALIN
MEMBER #20725
2012/10/11
REV. 00

THE CITY OF WINNIPEG
 WATER AND WASTE DEPARTMENT
 SOUTH END WATER POLLUTION CONTROL CENTRE
 VENTILATION & MISC. UPGRADES
 HVAC DEMOLITION PLAN
 WET WELL VENTILATION
 CITY DRAWING NUMBER: 1-0102G-M0014
 SHEET: 001
 REV: 01
 SIZE: A1